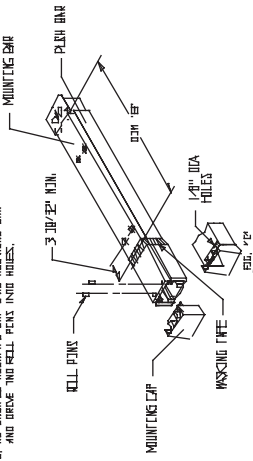


DOOR A	30"	35"	42"	48"
	25	31	37	43

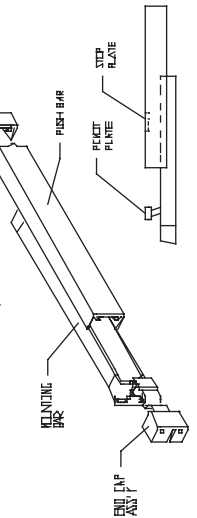
**CUT-OFF INSTRUCTIONS FOR NON-STANDARD DOORS**

1. DRIVE OUT TWO ROLL PINS.
2. REMOVE MOUNTING CAP.
3. COLLAPSE BAR AND TAPE DOWN IN THE AREA OF CUT-OFF.
4. REMOVE EXCESS LENGTH FROM THE DOOR AND TRIM TO A MINIMUM OF 1/2" FROM THE CUT-OFF POINT.
5. REMOVE MOUNTING BAR FROM PUSH BAR AND MARK EXTENSION LENGTH ON TYPE.
6. SAW OFF EXCESS LENGTH. REMOVE TAPE AND DEBRIS.
7. LAY MOUNTING CAP OVER MOUNTING BAR SET TO 1/4" L, AND USE AS A GUIDE TO DRILL TWO 3/8" DIA HOLES.
8. RE-INSTALL MOUNTING CAP AND MOUNTING BAR AND DRIVE TWO ROLL PINS INTO HOLES.



**SEPARATING PUSH BAR AND MOUNTING BAR PROCEDURE**

1. REMOVE BOTH END CAPS. THE ROLLERS ARE ATTACHED TO THE NOSE END CAP.
2. SLICE PUSH BARS TOWARD HINGE SIDE OF DOOR.
3. CONTINUE TO SLICE THE PUSH BARS UNTIL THE PIVOT PLATE THAT RIDGES IN PUSH BAR TRACK.
4. SLICE PUSH BAR IN OPPOSITE DIRECTION KEEPING TRACK AND PIVOT PLATE FREE OF MOUNTING PLATE.

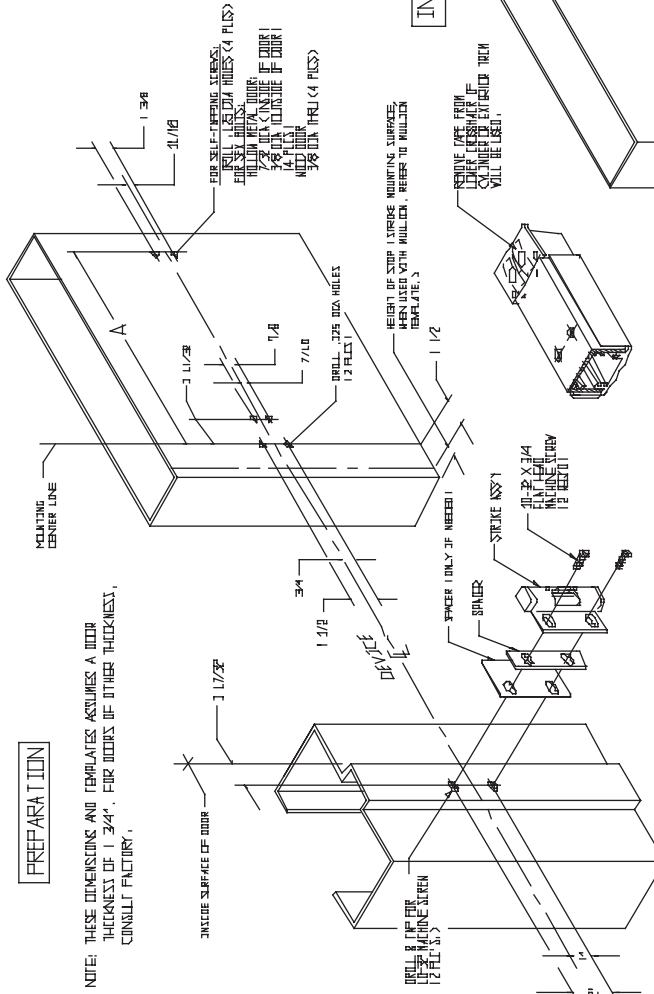


**INSTALLING PUSH BAR TO MOUNTING BAR**

1. WITH PUSH BAR IN HAND AND MOUNTING BAR ATTACHED TO DOOR, FOR STEP PLATE, SPREAD INTO PIVOT BAR. CHECK PLATE IS ON THE LATCH END OF ASSEMBLY UNIT. SLICE THE PIVOT PLATE WHERET HINGE UNIT TRACK OF PIVOT PLATE AND TRACK IN PUSH BAR AND SLICE IN OPPOSITE DIRECTION UNTIL PUSH BAR AND MOUNTING BAR ALIGN.

**PREPARATION**

NOTE: THESE DIMENSIONS AND TEMPLATES ASSUMES A DOOR THICKNESS OF 1 3/4". FOR DOORS OF OTHER THICKNESS, CONSULT FACTORY.



**METRIC EQUIVALENTS**

INCHES	MM	INCHES	MM
1/8	3.17	1 1/4	31.75
1/4	6.35	1 1/2	38.10
3/8	9.53	1 3/4	44.45
1/2	12.70	1 7/8	50.80
5/8	15.88	2	50.80
3/4	19.05	2 1/8	54.00
7/8	22.23	2 1/4	59.74
1	25.40	2 1/2	63.50
1 1/8	29.17	2 3/4	66.67
1 1/4	31.75	3	76.20
1 1/2	38.10	3 1/8	77.48
1 3/4	44.45	3 1/4	82.55
1 7/8	47.63	3 3/8	86.18
2	50.80	3 1/2	89.17
2 1/8	54.00	3 3/4	93.00
2 1/4	57.15	3 7/8	98.42
2 1/2	63.50	4	101.60
2 3/4	68.58	4 1/8	104.14
3	76.20	4 1/4	110.48
3 1/8	77.48	4 1/2	113.02
3 1/4	82.55	4 3/4	119.37
3 3/8	86.18	4 7/8	123.81
3 1/2	89.17	5	127.00
3 3/4	93.00	5 1/8	131.45
3 7/8	98.42	5 1/4	136.83
4	101.60	5 1/2	140.00
4 1/8	104.14	5 3/4	144.45
4 1/4	110.48	5 7/8	149.83
4 1/2	113.02	6	152.40
4 3/4	119.37	6 1/8	157.15
4 7/8	123.81	6 1/4	162.53
5	127.00	6 1/2	165.10
5 1/8	131.45	6 3/4	170.18
5 1/4	136.83	6 7/8	175.13
5 1/2	140.00	7	177.80
5 3/4	144.45	7 1/8	182.73
5 7/8	149.83	7 1/4	187.48
6	152.40	7 1/2	190.50
6 1/8	157.15	7 3/4	195.48
6 1/4	162.53	7 7/8	200.18
6 1/2	165.10	8	203.20
6 3/4	170.18	8 1/8	208.28
6 7/8	175.13	8 1/4	213.03
7	177.80	8 1/2	216.13
7 1/8	182.73	8 3/4	221.13
7 1/4	187.48	8 7/8	226.18
7 1/2	190.50	9	228.63
7 3/4	195.48	9 1/8	233.68
7 7/8	199.83	9 1/4	238.13
8	203.20	9 1/2	241.63
8 1/8	208.28	9 3/4	246.63
8 1/4	213.03	9 7/8	251.13
8 1/2	216.13	10	254.00
8 3/4	221.13	10 1/8	259.13
8 7/8	226.18	10 1/4	264.13
9	228.63	10 1/2	266.68
9 1/8	233.68	10 3/4	271.63
9 1/4	238.13	10 7/8	276.63
9 1/2	241.63	11	279.47
9 3/4	246.63	11 1/8	284.48
9 7/8	251.13	11 1/4	289.48
10	254.00	11 1/2	292.08
10 1/8	259.13	11 3/4	297.13
10 1/4	264.13	11 7/8	302.13
10 1/2	266.68	12	304.80
10 3/4	271.63	12 1/8	309.80
10 7/8	276.63	12 1/4	314.80
11	279.47	12 1/2	317.48
11 1/8	284.48	12 3/4	322.48
11 1/4	289.48	12 7/8	327.48
11 1/2	292.08	13	330.18
11 3/4	297.13	13 1/8	335.18
11 7/8	302.13	13 1/4	340.18
12	304.80	13 1/2	342.78
12 1/8	309.80	13 3/4	347.78
12 1/4	314.80	13 7/8	352.78
12 1/2	317.48	14	355.48
12 3/4	322.48	14 1/8	360.48
12 7/8	327.48	14 1/4	365.48
13	330.18	14 1/2	368.08
13 1/8	335.18	14 3/4	373.08
13 1/4	340.18	14 7/8	378.08
13 1/2	342.78	15	380.68
13 3/4	347.78	15 1/8	385.68
13 7/8	352.78	15 1/4	390.68
14	355.48	15 1/2	393.28
14 1/8	360.48	15 3/4	398.28
14 1/4	365.48	15 7/8	403.28
14 1/2	368.08	16	405.78
14 3/4	373.08	16 1/8	410.78
14 7/8	378.08	16 1/4	415.78
15	380.68	16 1/2	418.38
15 1/8	385.68	16 3/4	423.38
15 1/4	390.68	16 7/8	428.38
15 1/2	393.28	17	430.88
15 3/4	398.28	17 1/8	435.88
15 7/8	403.28	17 1/4	440.88
16	405.78	17 1/2	443.48
16 1/8	410.78	17 3/4	448.48
16 1/4	415.78	17 7/8	453.48
16 1/2	418.38	18	455.98
16 3/4	423.38	18 1/8	460.98
16 7/8	428.38	18 1/4	465.98
17	430.88	18 1/2	468.58
17 1/8	435.88	18 3/4	473.58
17 1/4	440.88	18 7/8	478.58
17 1/2	443.48	19	481.08
17 3/4	448.48	19 1/8	486.08
17 7/8	453.48	19 1/4	491.08
18	455.98	19 1/2	493.68
18 1/8	460.98	19 3/4	498.68
18 1/4	465.98	19 7/8	503.68
18 1/2	468.58	20	506.18
18 3/4	473.58	20 1/8	511.18
18 7/8	478.58	20 1/4	516.18
19	481.08	20 1/2	518.68
19 1/8	486.08	20 3/4	523.68
19 1/4	491.08	20 7/8	528.68
19 1/2	493.68	21	531.18
19 3/4	498.68	21 1/8	536.18
19 7/8	503.68	21 1/4	541.18
20	506.18	21 1/2	543.68
20 1/8	511.18	21 3/4	548.68
20 1/4	516.18	21 7/8	553.68
20 1/2	518.68	22	556.18
20 3/4	523.68	22 1/8	561.18
20 7/8	528.68	22 1/4	566.18
21	531.18	22 1/2	568.68
21 1/8	536.18	22 3/4	573.68
21 1/4	541.18	22 7/8	578.68
21 1/2	543.68	23	581.18
21 3/4	548.68	23 1/8	586.18
21 7/8	553.68	23 1/4	591.18
22	556.18	23 1/2	593.68
22 1/8	561.18	23 3/4	598.68
22 1/4	566.18	23 7/8	603.68
22 1/2	568.68	24	606.18
22 3/4	573.68	24 1/8	611.18
22 7/8	578.68	24 1/4	616.18
23	581.18	24 1/2	618.68
23 1/8	586.18	24 3/4	623.68
23 1/4	591.18	24 7/8	628.68
23 1/2	593.68	25	631.18
23 3/4	598.68	25 1/8	636.18
23 7/8	603.68	25 1/4	641.18
24	606.18	25 1/2	643.68
24 1/8	611.18	25 3/4	648.68
24 1/4	616.18	25 7/8	653.68
24 1/2	618.68	26	656.18
24 3/4	623.68	26 1/8	661.18
24 7/8	628.68	26 1/4	666.18
25	631.18	26 1/2	668.68
25 1/8	636.18	26 3/4	673.68
25 1/4	641.18	26 7/8	678.68
25 1/2	643.68	27	681.18
25 3/4	648.68	27 1/8	686.18
25 7/8	653.68	27 1/4	691.18
26	656.18	27 1/2	693.68
26 1/8	661.18	27 3/4	698.68
26 1/4	666.18	27 7/8	703.68
26 1/2	668.68	28	706.18
26 3/4	673.68	28 1/8	711.18
26 7/8	678.68	28 1/4	716.18
27	681.18	28 1/2	718.68
27 1/8	686.18	28 3/4	723.68
27 1/4	691.18	28 7/8	728.68
27 1/2	693.68	29	731.18
27 3/4	698.68	29 1/8	736.18
27 7/8	703.68	29 1/4	741.18
28	706.18	29 1/2	743.68
28 1/8	711.18	29 3/4	748.68
28 1/4	716.18	29 7/8	753.68
28 1/2	718.68	30	756.18
28 3/4	723.68	30 1/8	761.18
28 7/8	728.68	30 1/4	766.18
29	731.18	30 1/2	768.68
29 1/8	736.18	30 3/4	773.68
29 1/4	741.18	30 7/8	778.68
29 1/2	743.68	31	781.18
29 3/4	748.68	31 1/8	786.18
29 7/8	753.68	31 1/4	791.18
30	756.18	31 1/2	793.68
30 1/8	761.18	31 3/4	798.68
30 1/4	766.18	31 7/8	803.68
30 1/2	768.68	32	806.18
30 3/4	773.68	32 1/8	811.18
30 7/8	778.68	32 1/4	816.18
31	781.18	32 1/2	818.68
31 1/8	786.18	32 3/4	823.68
31 1/4	791.18	32 7/8	828.68
31 1/2	793.68	33	831.18
31 3/4	798.68	33 1/8	836.18
31 7/8	803.68	33 1/4	841.18
32	806.18	33 1/2	843.68
32 1/8	811.18	33 3/4	848.68
32 1/4	816.18	33 7/8	853.68
32 1/2	818.68	34	856.18
32 3/4	823.68	34 1/8	861.18
32 7/8	828.68	34 1/4	866.18
33	831.18	34 1/2	868.68
33 1/8	836.18	34 3/4	873.68
33 1/4	841.18	34 7/8	878.68
33 1/2	843.68	35	881.18
33 3/4	848.68	35 1/8	886.18
33 7/8	853.68	35 1/4	891.18
34	856.18	35 1/2	893.68
34 1/8	861.18	35 3/4	898.68
34 1/4	866.18	35 7/8	903.68
34 1/2	868.68	36	906.18
34 3/4	873.68	36 1/8	911.18
34 7/8	878.68	36 1/4	916.18
35	881.18	36 1/2	918.68
35 1/8	886.18	36 3/4	923.68
35 1/4	891.18	36 7/8	928.68
35 1/2	893.68	37	931.18
35 3/4	898.68	37 1/8	936.18
35 7/8	903.68	37 1/4	941.18
36	906.18	37 1/2	943.68
36 1/8	911.18	37 3/4	948.68
36 1/4	916.18	37 7/8	953.68
36 1/2	918.68	38	956.18
36 3/4	923.68	38 1/8	961.18
36 7/8	928.68	38 1/4	966.18
37	931.18	38 1/2	968.68
37 1/8	936.18	38 3/4	973.68
37 1/4	941.18	38 7/8	978.68
37 1/2	943.68	39	981.18
37 3/4	948.68	39 1/8	986.18
37 7/8	953.68	39 1/4	991.18
38	956.18	39 1/2	993.68
38 1/8	961.18	39 3/4	998.68
38 1/4	966.18	39 7/8	1003.68
38 1/2	968.68	40	1006.18
38 3/4	973.68	40 1/8	1011.18
38 7/8	978.68	40 1/4	1016.18
39	981.1		