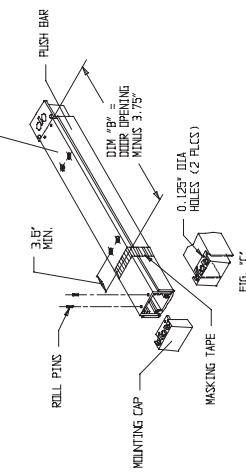


MIN	30"	36"	42"	48"
	26.68	30.88	36.88	44.88

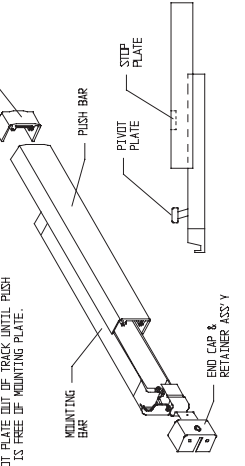
CUT-OFF INSTRUCTIONS FOR NON-STANDARD DOORS

1. DRIVE OUT TWO ROLL PINS.
2. REMOVE MOUNTING CAP.
3. COLLAPSE BAR AND TAPE DOWN IN THE AREA OF CUT-OFF.
4. UNFOLD THE BAR AND TAPE DOWN THE AREA OF THE ROLL PINS.
5. MEASURE PUSH BAR (NOT FLUSH BAR), AND MARK EXTENSION LENGTH ON TAPE.
6. SAW OFF EXCESS LENGTH. REMOVE TAPE AND REBURY.
7. LAY MOUNTING CAP OVER MOUNTING BAR (FIG. "C"), AND USE AS A GUIDE TO DRILL TWO 0.125" DIA HOLES.
8. RE-INSTALL MOUNTING CAP INTO MOUNTING BAR AND DRIVE TWO ROLL PINS INTO HOLES.



SEPARATING PUSH BAR AND MOUNTING BAR PROCEDURE

1. REMOVE BOTH END CAPS. THE RETAINER IS ATTACHED TO THE INSIDE END CAP.
2. SLIDE PUSH BAR TOWARD HINGE SIDE OF DOOR.
3. CONTINUE TO SLIDE THE PUSH BAR PAST THE PIVOT PLATE THAT RIDES IN PUSH BAR TRACK.
4. STOP PUSH BAR IN APPROPRIATE DIRECTION, KEEPING PIVOT PLATE END OF TRACK UNTIL PUSH BAR IS FREE OF MOUNTING PLATE.

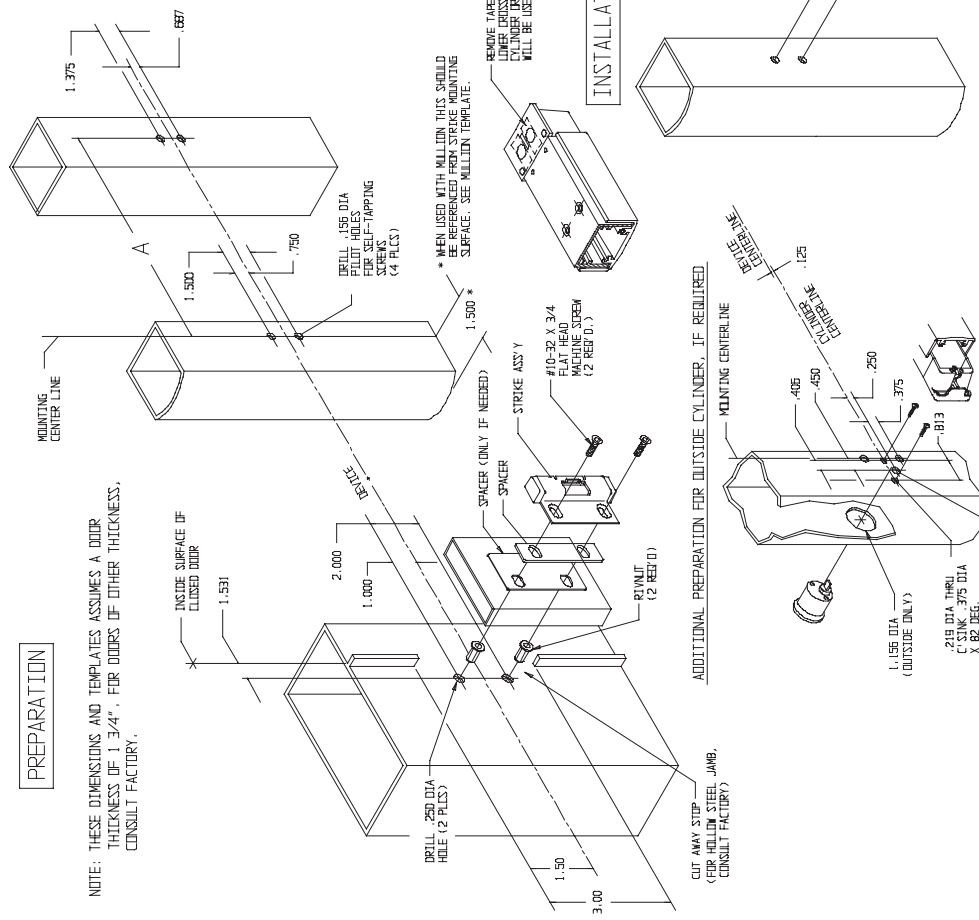


INSTALLING PUSH BAR TO MOUNTING BAR

1. WITH PUSH BAR IN HAND AND MOUNTING BAR ATTACHED TO DOOR, END STOP PLATE STAKED INTO PUSH BAR. (THIS PLATE IS ON THE LATCH END OF ASSEMBLED UNIT). SLIDE THE PIVOT PLATE NEAREST HINGE INTO TRACK OF PUSH BAR UNTIL SECOND PIVOT PLATE IS EXPOSED. INSERT PIVOT PLATE INTO TRACK ON PUSH BAR AND SLIDE IN OPPOSITE DIRECTION UNTIL PUSH BAR AND MOUNTING BAR ALIGN.

PREPARATION

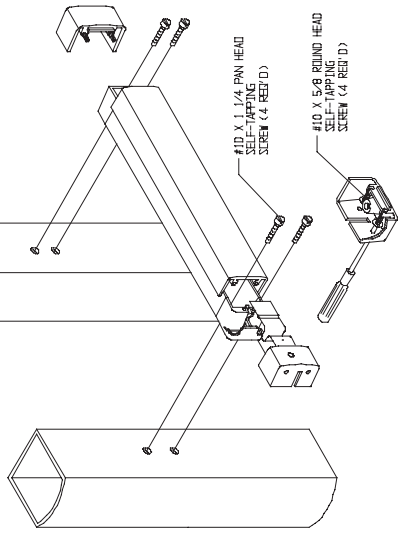
NOTE: THESE DIMENSIONS AND TEMPLATES ASSUMES A DOOR THICKNESS OF 1 3/4". FOR DOORS OF OTHER THICKNESS, CONSULT FACTORY.



INSTALLATION

INSTALLATION INSTRUCTIONS

1. CRIMP ALL RIVNETS IN STYLE AND JAMB ACCORDING TO INSTRUCTIONS WITH RIVNET TOOL. SKIP INSTRUCTIONS 2 & 3 IF CYLINDER IS NOT USED.
2. INSTALL CYLINDER, USING SCREWS SUPPLIED WITH CYLINDER.
3. IF THE EXIT BAR WAS SUPPLIED FROM FACTORY HAS THE CYLINDER ACTUATOR INSTALLED FOR OPPOSITE HAND.
 - (A) REMOVE #2-56 SCREW RETAINING CYLINDER ACTUATOR.
 - (B) RELOCATE CYLINDER ACTUATOR TO LOWER HOLE AND SECURE WITH #2-56 SCREW. MAKE SURE THE CYLINDER ACTUATOR TURNS FREELY.
4. INSTALL MOUNTING BAR (IF CYLINDER IS USED, BE SURE THAT TAILPIECE PROTRUDES 3/16 INCH TO ENGAGE CYLINDER PROPERLY).
5. INSTALL PUSH BAR TO MOUNTING BAR. (SEE INSTRUCTIONS LOWER LEFT HAND CORNER)
6. INSTALL END CAPS.
7. INSTALL STRIKE AND STRIKE PLUG. USE DIMENSIONS SO THAT STRIKE CLEARS END CAP BY 1/16".



NOTE: CYLINDER ACTUATOR MUST ALWAYS BE IN LOWER HOLE TO ENGAGE CYLINDER TAIL PIECE.

8800 RIM EXIT DEVICE FOR ALUMINUM DOOR

ADAMS RITE MANUFACTURING COMPANY CITY OF INDUSTRY, CALIF. 91749