



Adams Rite Product Catalog

U.S. & Canada effective February 1, 2019



ASSA ABLOY, the global leader
in door opening solutions

1870 Series

Cylinder-Operated Flushbolt

Designed for greater key control, the 1870 Cylinder-Operated Flushbolt prevents accidental locking of the inactive leaf of narrow stile aluminum paired doors. May be installed to lock at threshold or at header.

Function

Designed for use instead of conventional flip-lever operated flushbolts, 1870 Cylinder-Operated Flushbolts give building management key control of the inactive leaf of paired narrow stile aluminum doors. Prevents casual locking of the inactive leaf by unauthorized persons. Uses same basic over-center action mechanism as MS® pivoted bolt deadlocks. Recommended for installation at both top and bottom of inactive door with MS1850S MS Deadlock in active door for greatest security. May be installed to lock at threshold or at header.

Operation

360° turn of key throws or retracts the hex-section bolt. Key can be removed only when bolt is in a positively locked or unlocked position. Lock accepts any standard 1" [25.4 mm] length, 1-5/32" [29.4 mm] diameter mortise cylinder with MS® cam such as the 4036 Mortise Cylinder, or thumbturn such as the 4066 Thumbturn, available separately. Lock accepts cylinder from either or both sides.



Features

Cylinder Backset

31/32" [24.6 mm] or 1-1/8" [28.6 mm] only.

Cylinder Height

Standard length (cylinder center to retracted bolt tip) is 12" [304.8 mm] with ± 1-1/4" [31.8 mm] adjustment. Please contact factory for other lengths available by special order.

Case

Steel with corrosion-resistant plating. Measures 1" x 6" x depth [25.4 mm x 152.4 mm x depth]. Depth varies by backset (see table on back of page).

Bolt

Stainless steel. Hexagonal 3/8" [9.5 mm] flat to flat, with 11/16" [17.5 mm] throw.

Strike

1/2" [12.7 mm] diameter hole in metal threshold or header is suitable. For wood thresholds, 4005 Strike is available separately.

Faceplate

Measures 1" x 6-7/8" [25.4 mm x 174.6 mm]. Available in choice of 313 Dark bronze anodized, 335 Black anodized, 628 Clear anodized.

Standard Package

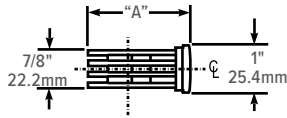
Flushlock mechanism boxed with actuator arm attached, rod/bolt assembly unattached. Stainless steel bolt guide, mounting screws, and installation instructions included. Cylinder available separately.

Shipping Weight

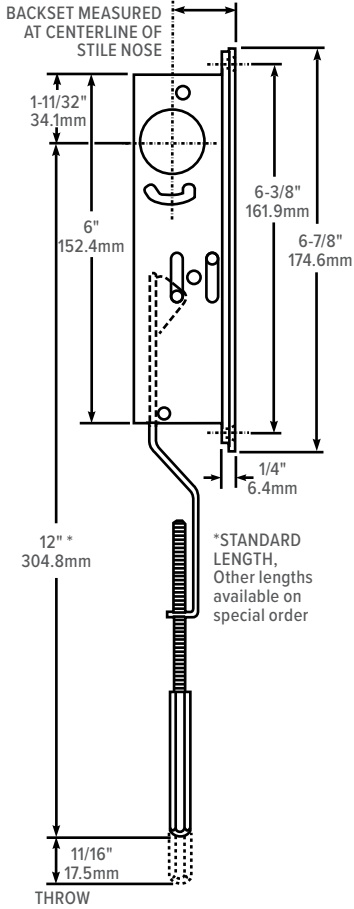
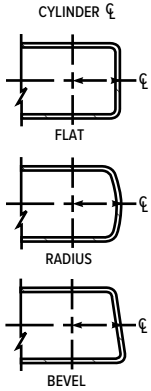
1-1/4 lbs [.57 kg].

All measurements are approximate and are provided for informational purposes only. Refer to the product Installation Instructions.

Dimensions

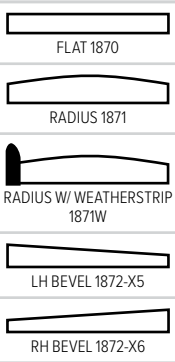


HOW BACKSET IS MEASURED:



*STANDARD LENGTH, Other lengths available on special order

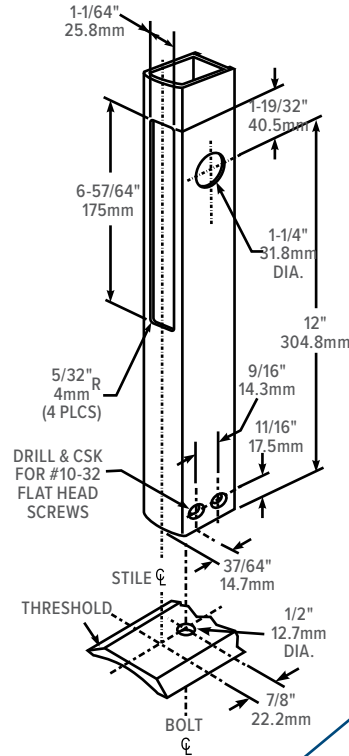
ARMORED FACEPLATE
1" X 6-7/8"



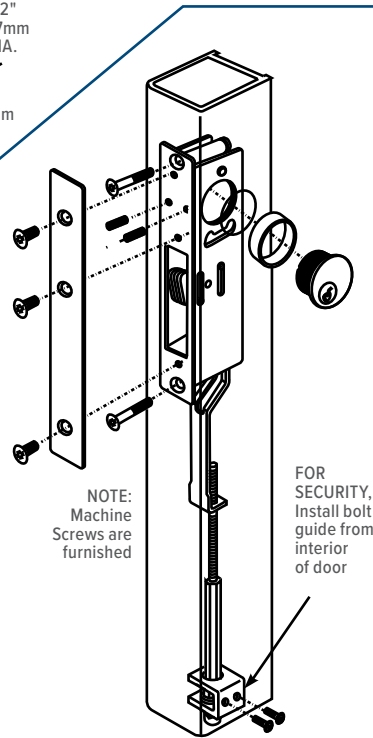
| BACKSET | "A" |
|------------------|--------------------|
| 31/32" 24.6mm | 1-5/8" 41.3mm |
| 1-1/8" 28.6mm | 1-25/32" 45.2mm |

Stile Preparation

For installation locking threshold.
Invert for header locking.



Lock & Cylinder Installation



How to Order & Related Products

1870 Cylinder-Operated Flushbolt Specify quantity and the following information. Order related products separately.

| MODEL | FACEPLATE SHAPE | BACKSET | HANDING | FINISH |
|-------|-----------------------------|----------|---------------|--------------------------|
| 1870 | 0 | - 2 | 0 | - 628 |
| | 0 Flat | 2 31/32" | 1 Non-Handed* | 313 Dark Bronze Anodized |
| | 1 Radius | 3 1-1/8" | 5 LH or RHR | 335 Black Anodized |
| | 1W Radius with weatherstrip | | 6 RH or LHR | 628 Clear Anodized |
| | 2 Bevel | | | |

*Any flat or radius faceplate.

RELATED When purchasing this product, please consider the following related products, available separately:

| CYLINDERS | ACCESSORIES | SPECIAL ORDER OPTIONS |
|--|--|--|
| Standard 1" length, 1-5/32" diameter mortise cylinder with MS® cam such as 4036 Mortise Cylinder, 4066 Thumbturn MS4043 Cylinder guard | 4005 strike for wood threshold 4104 Mounting Bridge, 91-0965 Mounting Kit for radiused door, 91-0966 Mounting Kit for beveled door, 26-00090XX Tube Spacer | Other cylinder height / length available by special order. Please contact factory. |