



Adams Rite Product Catalog

U.S. & Canada effective February 1, 2019



ASSA ABLOY, the global leader
in door opening solutions

3300 Series Fire-Rated Mortise Exit Device

8300 Series Life-Safety Mortise Exit Device

The **3300 Series Fire-Rated Mortise Exit Device** is designed for hollow metal and wood applications that require a fire-rated exit device with mortise locking solution. The **8300 Series Mortise Exit Device** is designed for hollow metal and wood applications that require a life-safety exit device with mortise locking solution. Designed for use in applications with single doors or pairs of doors.

MODEL	TYPE	RATING	DOOR CONSTRUCTION	MAX SIZE SINGLE DOORS	MAX SIZE PAIR & DOUBLE EGRESS
3300	(SPM) Single Point Mortise	3 hr	Hollow Metal Door	4'-0" x 10'-0"	8'-0" x 10'-0" *(active leaf)

*May be used with 3100 or 3600 Series with an open back strike.

Certifications

UL 305 Panic Hardware

3300 Only: UL 10(b), UL 10(c) fire-rated, up to 3 hours

CAN/ULC S104 fire door conformant

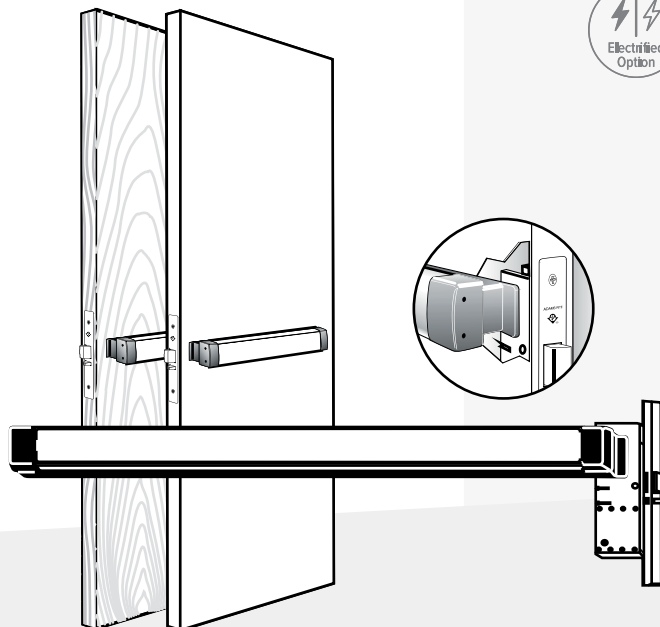
NFPA 252 fire door conformant

ANSI/BHMA A156.3-2008 Grade 1

ANSI/BHMA A156.3-2014 Grade 2



3300 Only



Features

Materials

Push bar made of extruded aluminum, clad or anodized in a variety of finishes.

Handing

Specify handing and bevel if applicable.

Push bar Length

Standard sizes: dimensioned for 30" [762.0 mm], 36" [914.4 mm], 42" [1,066.8 mm], and 48" [1,219.2 mm] openings. Standard width bars can be field cut to the next smallest opening width.

Backset

2-3/4" [69.9 mm] only

Door Thickness

Suits 1-3/4" [44.5 mm] standard. Can be modified for thicker doors.

Stile Width

Minimum 5" [127.0 mm]. Door construction may require additional stile width to meet fire ratings and provide adequate strength.

Projection

2-5/8" [66.7 mm] when fully projected, 1-5/8" [41.3 mm] when dogged.

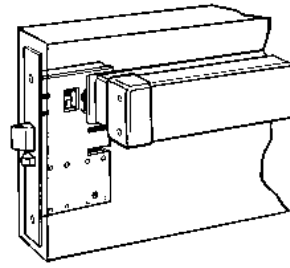
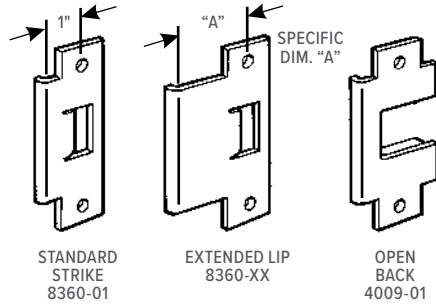
Dogging

Standard dogging with hex key or with cylinder not available on fire-rated exit devices. Electric dogging option available only.

Fasteners

Standard self-tapping screws and machine screws. Optional Sex Bolt Kits 26-0584 (two required per device) available separately.

All measurements are approximate and are provided for informational purposes only. Refer to the product Installation Instructions.



Cylinders

Accepts any standard 1" [25.4 mm] length, 1-5/32" [29.4 mm] diameter mortise cylinder with MS® cam such as the 4036 Mortise Cylinder. Accommodates cylinder lengths from 1" [25.4 mm] to 1-1/4" [31.8 mm]. Available separately.

Cylinder x Fixed Pull Functions

For function 03 (Night latch – key releases latch) select any standard 1" [25.4 mm] length, 1-5/32" [29.4 mm] diameter mortise cylinder with MS® cam such as the 4036 Mortise Cylinder.

Entry Trim Functions

For entry trim function 08 (key locks/unlocks lever) or function 09 (key releases lever) select any standard 1" [25.4 mm] length, 1-5/32" [29.4 mm] diameter mortise cylinder with MS® cam such as the 4036 Mortise Cylinder. Accommodates cylinder lengths from 1" [25.4 mm] to 1-1/4" [31.8 mm]. Available separately.

Bolts and Strikes

Mortise deadlatch with bolt measuring 5/8" x 1" x 5/8" [15.9 mm x 25.4 mm x 15.9 mm] throw. Solid brass bolt.

A variety of strikes are available for different applications:

- Standard strike of stainless steel included, Open Back Strike 4009-01 available separately.

Standard Package

Individually boxed.

Shipping Weight

11 lbs [4.99 kg]

Options

- **Electrification Options**
Motorized Latch Retraction, Electric Latch Retraction (LR), Electric Dogging, Alarm
- Monitoring, Cylinder Dogging, Matching End Caps

For more detailed information on any of the options listed above please see the Exit Devices Options on page 97 of this catalog.

How to Order & Related Products

3300, 8300 Surface Vertical Rod Exit Device Specify quantity and the following information. Order related products separately.

MODEL	FACEPLATE FINISH	FACE SHAPE	DEVICE OPTIONS	MONITORING OPTION	DOOR HANDING	PUSH BAR FINISH	DOOR OPENING WIDTH <small>On pair of doors, specify HALF of the total exit opening</small>		US FINISH	END CAPS OPTION FOR US FINISH
83	3	0	ED	M	-7	3	A36B		US32D	MEC
33 Fire Rated	0 US Finish	0 Flat (3300 Only)	LR Electric Latch Retraction (solenoid)	M Single Switch	7 RHR	0 US Finish	30 30 inches*	42 42 inches	US3 Bright Brass	MEC Matching End Caps
83 Life-Safety	1 Clear Anodized 628	2 Bevel (8300 Only)	SE Motorized Latch Retraction	M2 Dual Switch	8 LHR	1 Clear Anodized 628	36 36 inches	48 48 inches	US4 Satin Brass	
	2 Dark Bronze Anodized 313		C Cylinder Dogging (non-fire rated devices ONLY)	(Blank) No Monitor		2 Dark Bronze Anodized 313	AXXB Alarmed Exit Device where XX is door opening width		US32 Bright Stainless	
	3 Black Anodized 335		ED Electric Dogging			3 Black Anodized 335			US32D Satin Stainless	
			- No Option							

* Please note that 30" exit devices cannot accommodate monitoring options, except when ordered in conjunction with the SE option.

RELATED When purchasing this product, please consider the following related products, available separately:

ELECTRIC STRIKE	TRIM	CYLINDER	ACCESSORIES	POWER
7100/7101, 7110/7111, 7130/7131, 7140 Electric Strikes, 7400/7401, 7410/7411, 7430/7431, 7440 Electric Strikes	3080, 3080E Series Entry Trim, 3090-150, A100 Series Keyless Entry, 3001 Fixed Pull (for hollow metal or wood)	Operable by 4036 Mortise Cylinder depending upon the ANSI/BHMA functions of the exit device.	26-0584 Sex Bolt Kit (two required per device) Thick Door Kits, 8360-XX Extended Lip Strike, 4009-01 Open Back Strike, 4506-02 Deadlatch Strike REX-Monitor/Signal Kits	PS-SE, PS-LR Power Supply, 4612 Power Transfer Device, 4605 Transformer, 4603 Rectifier