



Adams Rite Product Catalog

U.S. & Canada effective February 1, 2019

 Adams
Rite

ASSA ABLOY

ASSA ABLOY, the global leader
in door opening solutions

3700 Series Fire-Rated Rim Exit Device

8700 Series Life-Safety Rim Exit Device

The **3700 Series Fire-Rated Rim Exit Device** is designed for hollow metal and wood applications that require a fire-rated exit device with Starwheel interlocking solution.

The **8700 Series Rim Exit Device** is designed for hollow metal and wood applications that require a life-safety exit device with Starwheel interlocking solution.

Designed for use in applications with single doors or pairs of doors with a mullion.

MODEL	TYPE	RATING	DOOR CONSTRUCTION	MAX SIZE SINGLE DOORS	MAX SIZE PAIR & DOUBLE EGRESS
3700	(RE) Rim Exit	3 hr	Hollow Metal Door Wood Door	4'-0" x 10'-0"	8'-0" x 10'-0"

Certifications

UL 305 Panic Hardware

3700 Only: UL 10(c) fire-rated, up to 3 hours

CAN/ULC S104 fire door conformant

NFPA 252 fire door conformant

ANSI/BHMA A156.3-2008 Grade 1

ANSI/BHMA A156.3-2014 Grade 2

Features

Materials

Push bar made of extruded aluminum, clad or anodized in a variety of finishes.

Handing

Device is non-handed

Push bar Length

Standard sizes: dimensioned for 30" [762.0 mm], 36" [914.4 mm], 42" [1,066.8 mm], and 48" [1,219.2 mm] openings. Standard width bars can be field cut to the next smallest opening width.

Door Thickness

Suits 1-3/4" [44.5 mm] standard, up to 2-1/4" [57.2 mm]

Stile Width

Minimum 3-3/4" [95.3 mm]. Door construction may require additional stile width to meet fire ratings and provide adequate strength.

Projection

2-5/8" [66.7 mm] when fully projected, 1-5/8" [41.3 mm] when dogged.

Dogging

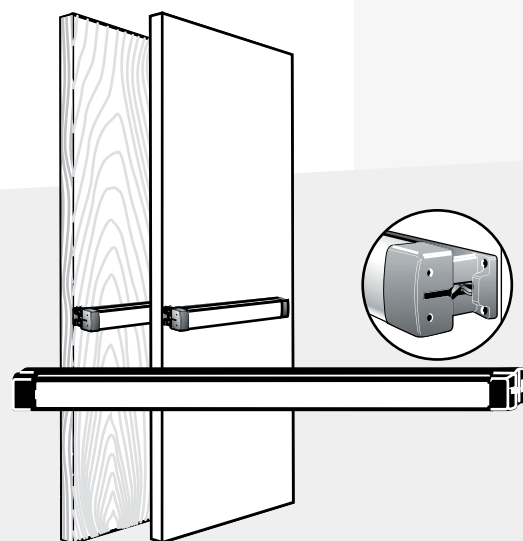
Standard dogging with hex key or cylinder dogging for 8700 Series only. Electric dogging also available for 3700 and 8700 Series.

Fasteners

Standard self-tapping screws and machine screws. Optional Sex Bolt Kits 26-0584 (two required per device) available separately.

Cylinders

Select any standard 1-5/32" [29.4 mm] diameter rim cylinder such as the 8736 Rim Cylinder. Available separately.



Cylinder x Fixed Pull Functions

For function 03 (Night latch - key releases latch) select any standard 1-5/32" [29.4 mm] diameter rim cylinder such as the 8736 Rim Cylinder.

Entry Trim Functions

For entry trim function 08 (key locks/unlocks lever) or function 09 (key releases lever) select any standard 1" [25.4 mm] length, 1-5/32" [29.4 mm] diameter mortise cylinder with MS® cam such as the 4036 Mortise Cylinder. Accommodates



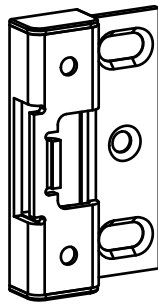
LISTED



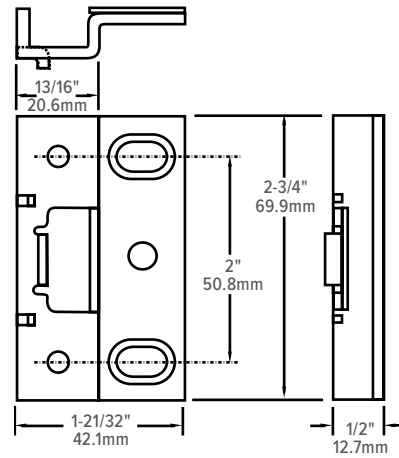
3700 Only



All measurements are approximate and are provided for informational purposes only. Refer to the product Installation Instructions.



Strike Dimensions



cylinder lengths from 1" [25.4 mm] to 1-1/4" [31.8 mm]. Available separately.

Strike

Standard hardened steel strike (included).

Standard Package

Individually boxed.

Shipping Weight

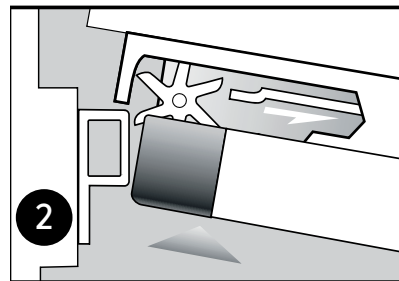
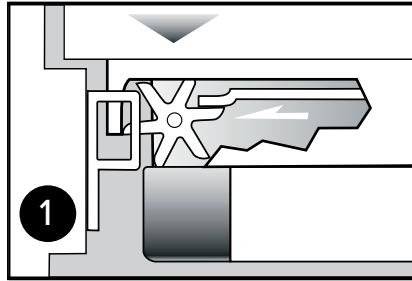
10 lbs [4.54 kg]

Removable Mullion

Allows the use of rim exit devices on paired doors without narrowing the doors. Provides higher security and better traffic flow than paired doors with vertical rod exit devices. 3889 Steel Mullion available separately. Select for use with doors up to 8' [2.44 m].

Starwheel Bolt

1. When door closes, the interlocking noseguard and Starwheel bolt close around the strike. The deadlocking slide spring over, locking the Starwheel bolt to the strike.



2. When push bar is depressed, the deadlocking slide moves back, allowing the door to unlock from the strike. This unique interlock provides solid security and prevents jamb spreading.

Options

- **Electrification Options**
Motorized Latch Retraction, Electric Latch Retraction (EL), Electric Dogging, Alarm
- Monitoring, Cylinder Dogging, Matching End Caps

For more detailed information on any of the options listed above please see the Exit Devices Options on page 97 of this catalog.

How to Order & Related Products

3700, 8700 Rim Exit Device: Specify quantity and the following information. Order related products separately.

MODEL	PUSH BAR FINISH	DEVICE OPTIONS	MONITORING OPTION	DOOR OPENING WIDTH On pair of doors, specify HALF of the total exit opening		US FINISH	END CAPS OPTION FOR US FINISH	VOLTAGE
37	00	EL	M1	-36		-US3	MEC	-12
37 Fire Rated	00 US Finish	LR Electric Latch Retraction (solenoid)	M Single Switch	30 30 inches*	42 42 inches	US3 Bright Brass	MEC Matching End Caps	12 Volts
87 Life-Safety	01 Clear Anodized 628	SE Motorized Latch Retraction	M2 Dual Switch	36 36 inches	48 48 inches	US4 Satin Brass		24 Volts (For EL Option Only)
	02 Dark Bronze Anodized 313	C Cylinder Dogging (non-fire rated devices ONLY)	(Blank) No Monitor	AXXB Alarmed Exit Device where XX is door opening width		US32 Bright Stainless		
	03 Black Anodized 335	ED Electric Dogging				US32D Satin Stainless		
		- No Option						

* Please note that 30" exit devices cannot accommodate monitoring options, except when ordered in conjunction with the SE option.

RELATED When purchasing this product, please consider the following related products, available separately:

TRIM	CYLINDER	ACCESSORIES	POWER
3080, 3080E Series Entry Trim, 3090-150, A100 Series Keyless Entry, 3001 Fixed Pull (for hollow metal or wood)	Operable by either 4036 Mortise Cylinder or 8736 Rim Cylinder depending upon the ANSI/BHMA functions of the exit device.	26-0584 Sex Bolt Kit (two required per device) REX-Monitor/Signal Kits	PS-1, PS-SE, Power Supply, 4612 Power Transfer Device, 4605 Transformer, 4603 Rectifier