



# Adams Rite Product Catalog

U.S. & Canada effective February 1, 2019

 Adams  
Rite

ASSA ABLOY

ASSA ABLOY, the global leader  
in door opening solutions

# Steel Hawk® 4300

## Electrified Deadlatch

The Steel Hawk® 4300 Electrified Deadlatch is a non-handed, narrow backset, electrified deadlatch designed for easy integration with access control systems.

### Function

The 4300 Electrified Deadlatch seamlessly combines electrified locking hardware with access control while working within standard narrow stile aluminum entrance door preparations. Always operable from the inside via handle or paddle device. Entry via keyed mortise cylinder or access control device such as keypad or card reader. Fail secure lock with optional form "C" latch status monitor. The standard fail secure 4300 Electrified Deadlatch operates on 12, 16, or 24 VDC power and is rated for continuous duty. Units are equipped with a quick connect plug-in type connector. Interchangeable without stile modification for MS® Deadlocks or Adams Rite 4500 and 4900 Deadlatches. 1-3/4" [44.5 mm] minimum door thickness required.

### Operation

Turn key, apply voltage, or operate handle or paddle to release the spring-loaded latchbolt. Electrically-rated for continuous duty for timed applications. Easily interfaces with other access control system elements. Available in fail secure configuration only. Lock accepts any standard 1" [25.4 mm] length, 1-5/32" [29.4 mm] diameter mortise cylinder with MS® cam such as the 4036 Mortise Cylinder or thumbturn such as the 4066 Thumbturn, available separately. Lock accepts cylinder from either or both sides.



### Features

#### Cylinder Backset

31/32" [24.6 mm], 1-1/8" [28.6 mm], and 1-1/2" [38.1 mm].

#### Case

Steel with corrosion-resistant plating. Measures 15/16" x 5-13/16" x depth [23.8 mm x 147.6 mm x depth]. Depth varies by backset (see table on back of page).

#### Latchbolt

Stainless steel. Measures 5/8" x 1" x 5/8" [15.9 mm x 25.4 mm x 15.9 mm] throw.

#### Auxiliary Bolt

All metal. Deadlocks latchbolt to prevent "loiding" or case-knife entry.

#### Faceplate

Measures 1" x 6-7/8" [25.4 mm x 174.6 mm]. Both flat and radius faceplates are supplied. Flat faceplates can also be adjusted in the field for right or left beveled edge doors.

#### Strike

Pick from optional strikes. 4304 no-cut surface mounted strike for easy retrofits. Specify 4901-01 mortised-flush version when covering existing MS® deadlock preparation or for new applications. 4901-02 strike is available with radius profiles for pairs of doors and with extended lips of center-hung or thick door applications.

#### Standard Package

Individually boxed with strike plate, flat and radius faceplates, and mounting screws. Supplied with 4581 Universal Cam Plug to work with specified handles or paddle operators. Cylinder, paddle, handle available separately.

#### Shipping Weight

1-1/4 lbs [0.57 kg].

#### Product Note

The 4600M with monitoring switch option cannot be used in conjunction with the 4300 Electrified Deadlatch.

### Electrical

#### Voltage

Field-selectable to match power source of 12, 16, or 24 VDC.

#### Current Draw/Amps

0.44A at 12VDC  
0.458A at 16VDC\*  
0.23A at 24VDC  
\*Required 16 VDC adapter (P/N VA 7400-16VDC)

### Options

- Backset, strike, and finish must be specified when ordering.
- Optional form "C" latch status monitoring available.

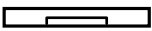

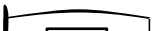
#### RITE Pack®

Pairs the non-handed, narrow backset, electrified deadlatch with multiple faceplates in a single package. Includes one electrified deadlatch and four faceplates: 2 flat faceplates, 2 radius faceplates: one each of 628 Clear and one 313 Dark bronze anodized finish.

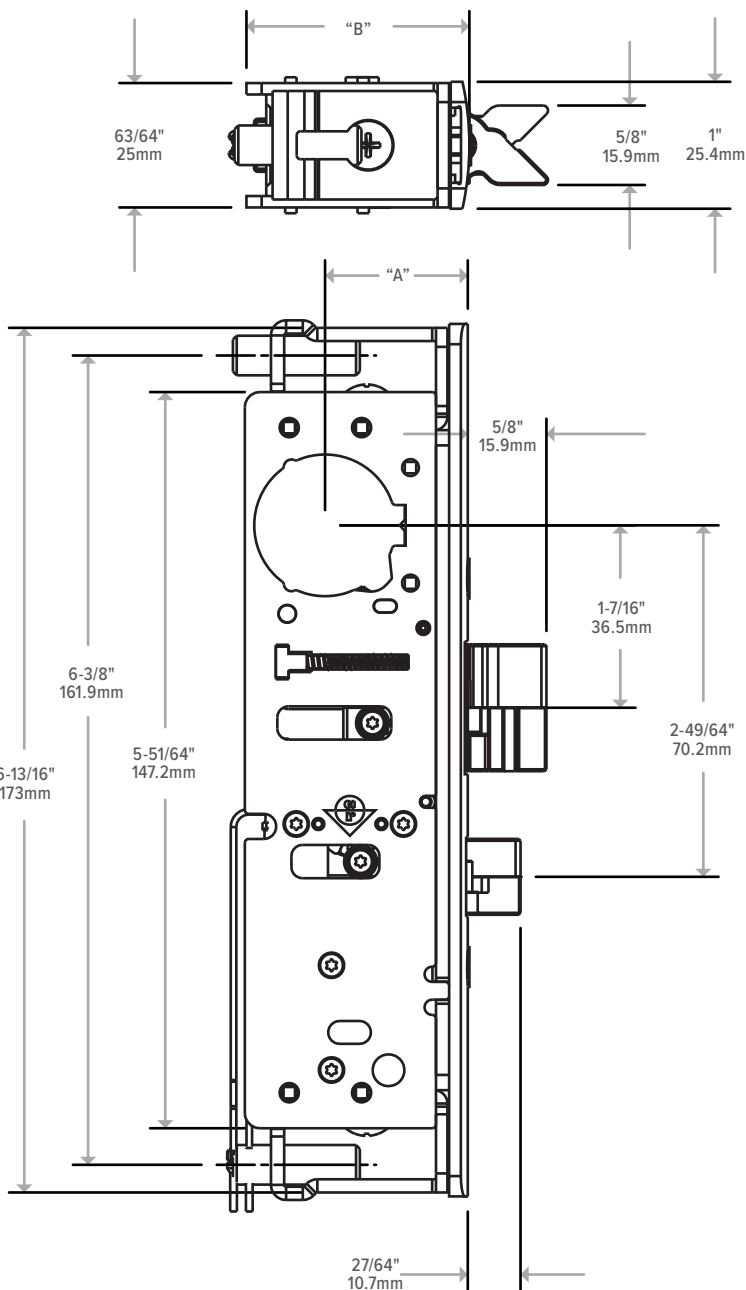
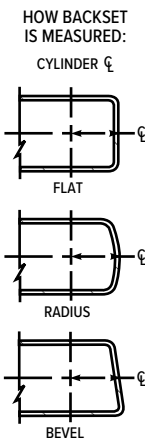
All measurements are approximate and are provided for informational purposes only. Refer to the product Installation Instructions.

# Dimensions

| BACKSET A        | DIM. B             |
|------------------|--------------------|
| 31/32"<br>24.6mm | 1-19/32<br>40.5mm  |
| 1-1/8"<br>28.6mm | 1-49/64"<br>44.8mm |
| 1-1/2"<br>38.1mm | 2-9/64"<br>54.4mm  |

| ARMORED FACEPLATE<br>1" X 6-7/8"  |
|---|
| <br>FLAT (INCLUDED)<br>P/N 91-4300-01-XXX*        |
| <br>RADIUS (INCLUDED)<br>P/N 91-4300-01-XXX*      |
| <br>RADIUS W/ WEATHERSTRIP<br>P/N 91-4300-02-XXX* |

\*Flat faceplate can be adjusted for right or left beveled edge doors. Radius weatherstrip is optional. 91-4300-01-XXX Faceplate kit includes both flat and radius faceplates.



## How to Order

Steel Hawk® 4300 Electrified Deadlatch: Specify quantity and the following information. Order related products separately.

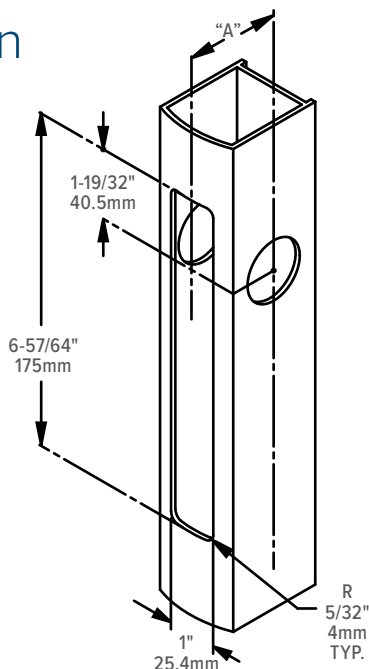
| MODEL | BACKSET  | MONITORING  | STRIKE                   | STRIKE SHAPE/LIP LENGTH          | FACEPLATE FINISH         |
|-------|----------|-------------|--------------------------|----------------------------------|--------------------------|
| 4300  | -3       | M           | -2                       | 01                               | -628                     |
|       | 2 31/32" | 0 None      | 1 Surface Mount (4304)   | 01 Flat/Standard Jamb            | 313 Dark Bronze Anodized |
|       | 3 1-1/8" | M Monitored | 2 Mortised (4901) 4-5/8" | 02 Radius/Standard Stiles*       | 335 Black Anodized       |
|       | 4 1-1/2" |             |                          | 17 Flat/Center Hung 4" Jamb*     | 628 Clear Anodized       |
|       |          |             |                          | 21 Flat/Center Hung 4-1/2" Jamb* |                          |

\* See ACCESSORIES for available 4901 strike options.

4300 RITE Pack®: Specify quantity and the following information. Order related products separately.

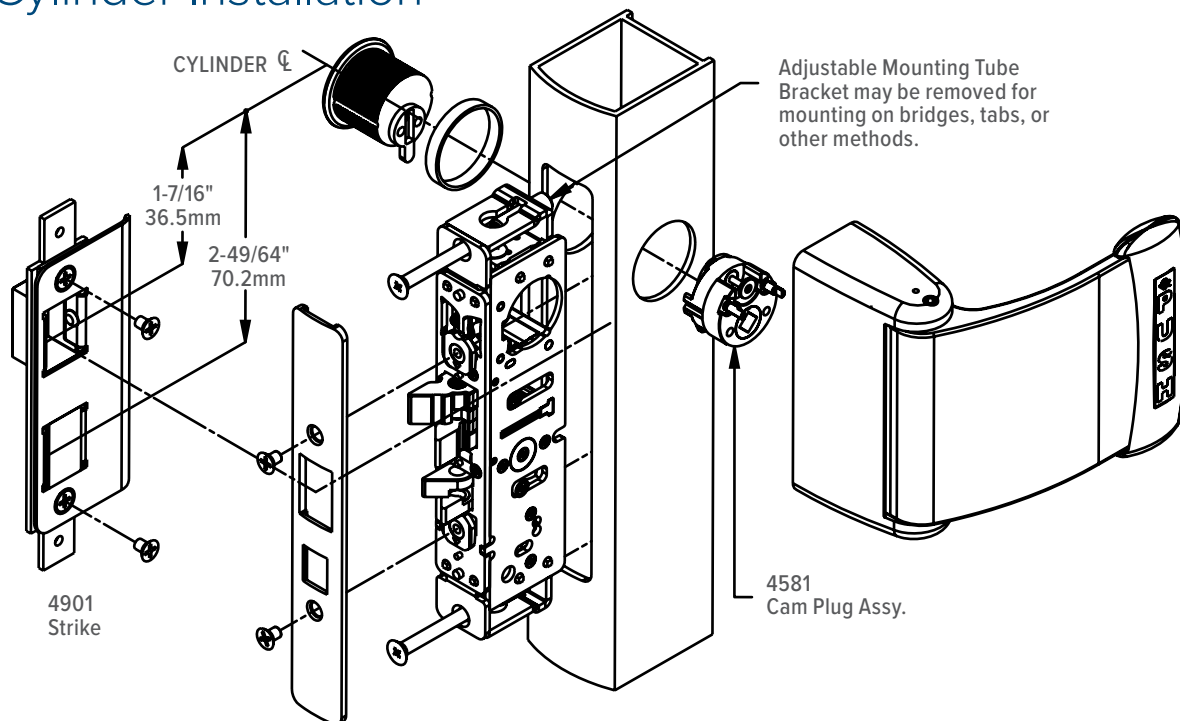
| MODEL | BACKSET  | MONITORING | STRIKE                   | RITE PACK |
|-------|----------|------------|--------------------------|-----------|
| 4300  | -3       | 0          | -1                       | RP        |
|       | 2 31/32" | 0 None     | 1 Surface Mount (4304)   |           |
|       | 3 1-1/8" |            | 2 Mortised (4901) 4-5/8" |           |

## Stile Preparation



Adjustable mounting tube bracket may be removed for mounting on bridges, tabs, or other methods.

## Latch Paddle & Cylinder Installation



## Related Products

When purchasing this product, please consider the following related products, available separately:

| TRIM  | CYLINDERS  | ACCESSORIES  | POWER   |
|---|--|--|---|
| 3080 Series Entry Trim, 4560, 4565<br>Deadlatch Handles, 4568, 4569<br>Eurostyle Deadlatch Handles, 4590, 4591<br>Paddles, 4600 Deadlatch Handles | Standard 1" length, 1-5/32" diameter<br>mortise cylinder with MS® cam such as<br>4036 Mortise Cylinder, 4066 Thumbturn<br>MS 4043 Cylinder guard | 4104 Mounting Bridge, 91-0965 Mounting<br>Kit for radiused door, 91-0966 Mounting<br>Kit for beveled door, 26-00090XX Tube<br>Spacer, 4901, 4902 Deadlatch Strikes | PS-1 Power Supply, 4605<br>Transformer, 4603 Rectifier, and<br>4612 Power Transfer Device |