



Adams Rite Product Catalog

U.S. & Canada effective February 1, 2019

 Adams
Rite

ASSA ABLOY

ASSA ABLOY, the global leader
in door opening solutions

4530

Standard Duty Deadlatch

4530 Standard Duty Deadlatches provide flexible traffic control during and after business hours. Designed to retrofit into the prep of older MS1850 Deadlocks and discontinued 4250 Deadlatches.



Aluminum

Swinging
Door

Function

The 4530 Standard Duty Deadlatch offers flexibility of traffic control during and after business hours. A reverse turn of the key while the bolt is held retracted retains the bolt to allow two-way traffic for healthcare, financial institutions, retail, and other applications that require free entrance at certain times and exit-only at other times. 4530 Deadlatches are designed to fit without alteration, the stile cutout for older MS1850 Series Deadlocks and discontinued 4250 Deadlatches of same backset.

Operation

Turn key or operate handle to retract spring-loaded Latchbolt. To hold bolt retracted, push it in and secure by reverse turn of key. Lock accepts any standard 1" [25.4 mm] length, 1-5/32" [29.4 mm] diameter mortise cylinder with MS® cam such as the 4036 Mortise Cylinder or thumbturn such as the 4066 Thumbturn, available separately. Lock accepts cylinder from either or both sides.



Features

Cylinder Backset

7/8" [22.2 mm], 31/32" [24.6 mm], or 1-1/8" [28.6 mm] only.

Case

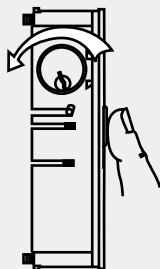
Steel with corrosion-resistant plating. Measures 1" x 5-13/16" x depth [25.4 mm x 147.6 mm x depth]. Depth varies by backset (see table on back of page).

Bolt Holdback

While bolt is held fully retracted, a reverse turn of the key retains the bolt, allowing the door to be free swinging.

Latchbolt

All metal with hardened steel internal pins. Handing is reversible without special tools. Measures 1/2" x 1" x 1/2" [12.7 mm x 25.4 mm x 12.7 mm] throw.



Auxiliary Bolt

All metal. Deadlocks latchbolt to prevent "loiding" or case-knife entry.

Faceplate

Measures 1-1/4" x 7-13/32" [31.8 mm x 188.1 mm].

Strike

Standard strike furnished is 4901-01 for flat jamb.

Standard Package

Individually boxed with strike plate and mounting screws. Cylinder, paddle, handle available separately.

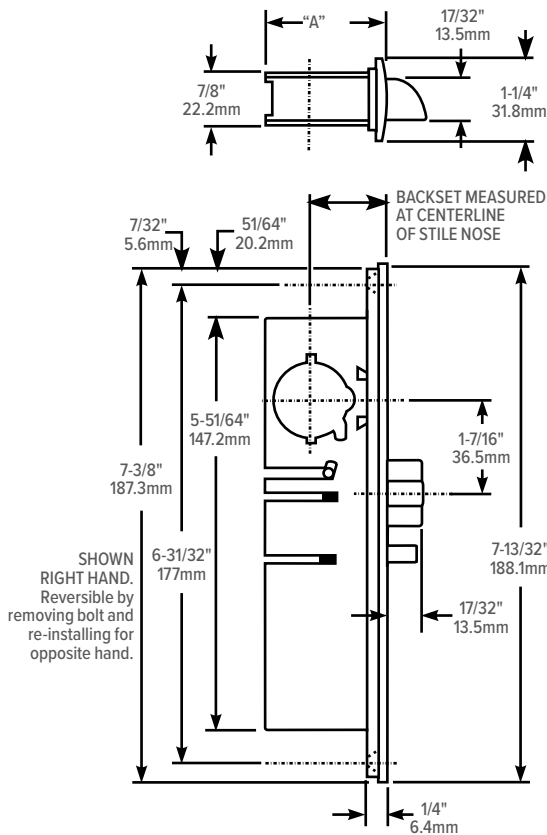
Shipping Weight

1-1/4 lbs [0.57 kg]

Options

- Backset, faceplate shape, strike, handing, and finish must be specified when ordering.
- Available without faceplate or strike plate, select 4533.
- Available in choice of 313 Dark bronze anodized, 335 Black anodized, 628 Clear anodized.

Dimensions



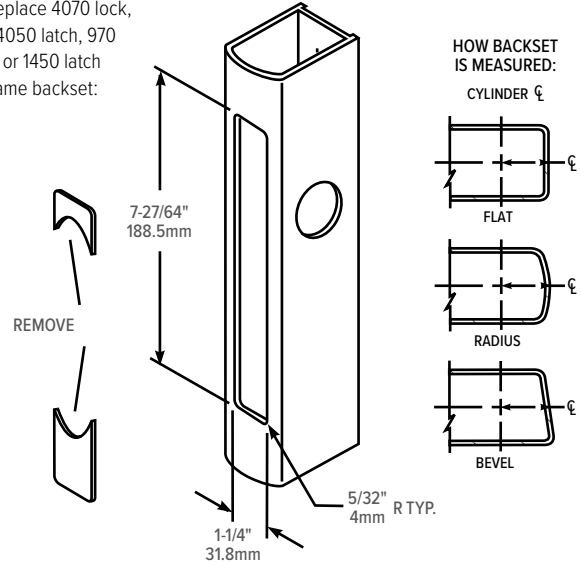
| ARMORED FACEPLATE 1-1/4" x 7-13/32" | |
|--|------------------|
| | FLAT 4530 |
| | RADIUS 4531 |
| | LH BEVEL 4532-X5 |
| | RH BEVEL 4532-X6 |

| BACKSET | "A" |
|------------------|--------------------|
| 7/8" 22.2mm | 1-33/64" 38.5mm |
| 31/32" 24.6mm | 1-19/32" 40.5mm |
| 1-1/8" 28.6mm | 1-49/64" 44.8mm |

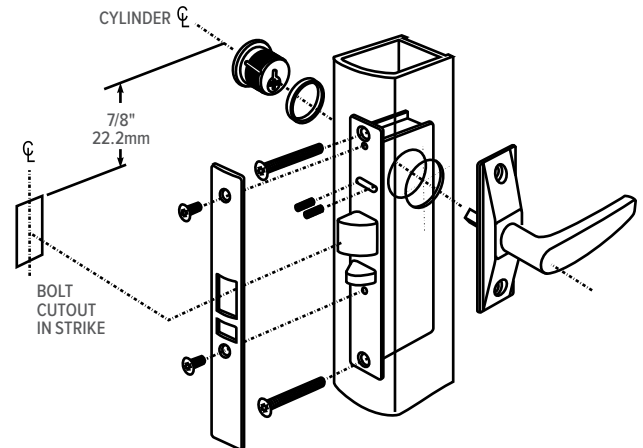
Stile & Jamb Preparation

To replace old MS1850 lock or 4250 latch of same backset: **No Preparation Required**

To replace 4070 lock, old 4050 latch, 970 lock or 1450 latch of same backset:



Latch Paddle & Cylinder Installation



How to Order & Related Products

4530 Standard Duty Deadlatch: Specify quantity and the following information. Order related products separately.

| MODEL | FACEPLATE | BACKSET | HANDING | STRIKE SIZE | STRIKE SHAPE/LIP LENGTH | FACEPLATE FINISH |
|-------|---|----------|-------------|--------------------------|---------------------------------|--------------------------|
| 453 | 1 | - 3 | 6 | - 1 | 01 | - 628 |
| | 0 Flat | 1 7/8" | 5 LH or RHR | 1 Mortised (4901) 4-5/8" | 01 Flat/Standard Jamb | 313 Dark Bronze Anodized |
| | 1 Radius | 2 31/32" | 6 RH or LHR | 2 Mortised (4902) 2-5/8" | 02 Radius/Standard Stiles | 335 Black Anodized |
| | 2 Bevel | 3 1-1/8" | | | 17 Flat/Center Hung 4" Jamb | 628 Clear Anodized |
| | 3 Without faceplate, without strike plate | | | | 21 Flat/Center Hung 4-1/2" Jamb | |

RELATED When purchasing this product, please consider the following related products, available separately:

| ELECTRIC STRIKES | TRIM | CYLINDERS | ACCESSORIES |
|--|---|--|---|
| 7100/7101, 7110/7111, 7130/7131, 7140 Electric Strikes, 7400/7401, 7410/7411, 7430/7431, 7440 Electric Strikes | 3080, 3080E Series Entry Trim, 3090-150, A100 Series Keyless Entry, 4560, 4565 Deadlatch Handles, 4568, 4569 Eurostyle Deadlatch Handles, 4590, 4591 Paddles, 4600 Deadlatch Handle | Standard 1" length, 1-5/32" diameter mortise cylinder with MS® cam such as 4036 Mortise Cylinder, 4066 Thumbturn MS4043 Cylinder guard | 4104 Mounting Bridge, 91-0965 Mounting Kit for radiused door, 91-0966 Mounting Kit for beveled door, 26-00090XX Tube Spacer, 4901, 4902 Deadlatch Strikes |