



Adams Rite Product Catalog

U.S. & Canada effective February 1, 2019

 Adams
Rite

ASSA ABLOY

ASSA ABLOY, the global leader
in door opening solutions



4781

Two-Point Deadlatch with Paddle

The 4781 Two-Point Deadlatch latches to header and threshold allowing both door leaves to remain active. It is designed for paired out-swinging narrow stile doors, but is also suitable for single doors.

Function

Designed for paired out-swinging narrow stile doors, but also suitable for single doors. Instead of operating a conventional horizontal-throw latchbolt, the 4781 Two-Point Deadlatch latches to header and threshold. This allows both door leaves to be "active". There is no need to pin one door with flush bolts or other devices. The paddle is a modified version of the 4591 Deadlatch Paddle and the concealed vertical rod mechanism is the same as used in Adams Rite's 8600 Series Exit Devices. Note however, that the 4781 Two-Point Deadlatch is not intended to substitute for an exit device, which must have a door-spanning bar.

Operation

Inside: Push paddle to unblock top bolt and withdraw bottom bolt. Continuing to push will open the door in a very natural, ergonomically-friendly motion. Paddle stroke is approximately 1-1/2" [38.1 mm] at extreme end. Rod adjustment allows paddle (centerline) to be mounted at any height from 30 to 44 inches above the finished floor.

Outside: If key entry operation is required, any standard mortise cylinder with MS® cam can be installed through an 8650 Cylinder Escutcheon. 3080 Entry Trim compatible with Adams Rite exit devices can be specified in the version used for CVR devices.



Features

Paddle Dogging

Turning hex screw in paddle escutcheon holds paddle down, leaving door free-swinging.

Strike

A flanged post installed on the header has generous location adjustment to allow for door misalignment, sag, bumpers, etc. Designed to prevent forced entry by bowing the door.

Top Bolt

Similar to door latches on some automobiles and aircraft, the U-shaped bolt wraps around the strike post to deadlock position,

which also deadlocks the bottom bolt through a gear train at the center of the rod assembly.

Threshold Bolt

Stainless hexagonal steel bolt requires only a 1/2" [12.7 mm] diameter hole in threshold for a strike.

Door Size

Standard unit will fit doors up to 66" [1676.4 mm] above the paddle height. 110" [2794 mm] door if paddle is at max 44" [1117.6 mm] height.

Standard Package

Individually boxed with mounting screws and installation instructions.

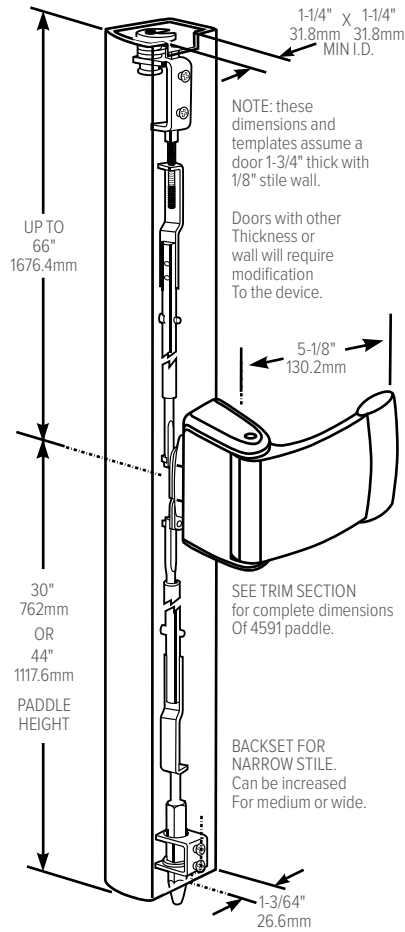
Shipping weight

3 lbs [1.36 kg].

Options

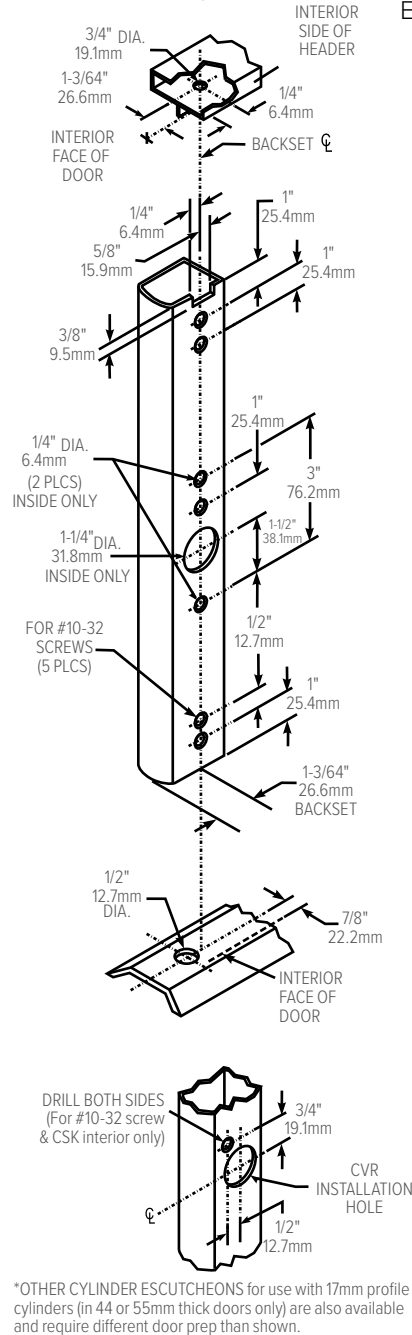
- Can be exit only or allow key access from outside with use of 8650 Cylinder Escutcheon. 3080 Entry Trim can also be specified in the version used for CVR devices.
- For taller doors, order 8655 Tall Door Kit, which allows up to 97" above paddle.
- Available in choice of 313 Dark bronze anodized, 335 Black anodized, 628 Clear anodized, US26D (626) Satin chrome.

Dimensions

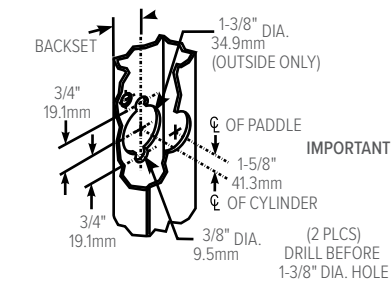
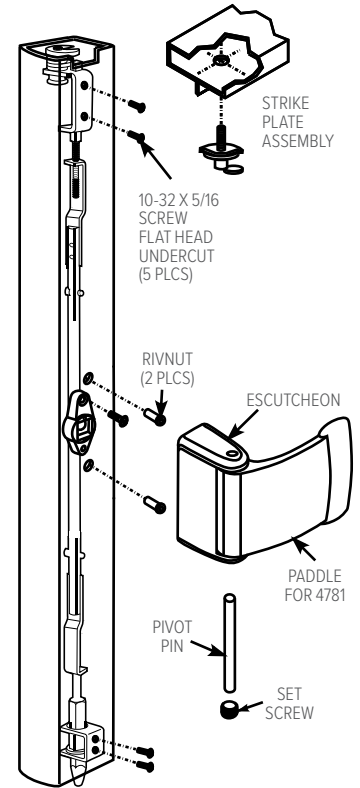


Door Preparation

with 8650 Cylinder Escutcheon*



Installation



How to Order & Related Products

4781 Two-Point Deadlatch with Paddle: Specify quantity and the following information. Order related products separately.

MODEL	ROD TYPE	OPERATION	PADDLE FINISH
4781	T	- 021	- 628
	T Top Rod Only	021 Push to Left	313 Dark Bronze Anodized
	— Standard Rod	041 Push to Right	335 Black Anodized
			628 Clear Anodized
			US26D Satin Chrome

RELATED When purchasing this product, please consider the following related products, available separately:

TRIM	CYLINDERS	ACCESSORIES
3080 Series Entry Trim	Standard 1" length, 1-5/32" diameter mortise cylinder with MS® cam such as 4036 Mortise Cylinder MS4043 Cylinder guard	8650 Cylinder Escutcheon, 8655 Tall Door Kit