



Adams Rite Product Catalog

U.S. & Canada effective February 1, 2019

 Adams
Rite

ASSA ABLOY

ASSA ABLOY, the global leader
in door opening solutions



| Electric Strikes

7100 Series

Electric Strikes for Adams Rite Deadlatches and Cylindrical Locks

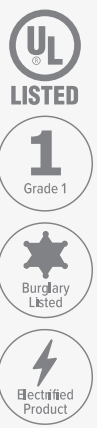
Designed for use with Adams Rite deadlatches or cylindrical locksets with 1/2" [12.7 mm] to 5/8" [15.9 mm] latchbolt projection. For use in aluminum, hollow metal, or wood applications.

Function

Remote electrical control of any door equipped with an Adams Rite 4500, 4700 (discontinued), or 4900 Deadlatch or cylindrical lockset with 1/2" [12.7 mm] to 5/8" [15.9 mm] latchbolt projection. Electrical actuation unlocks the keeper, releasing the latchbolt so the door may be opened without operating the latch itself.

Certifications

- UL 1034 burglary-resistant listed
- UL 294 (6th Edition) listed



Features

Case

1" x 3-3/8" x 1-5/8" deep
[25.4 mm x 85.7 mm x 41.3 mm deep].

Strike Opening

5/8" x 1-7/16" x 1/2" deep
[15.9 mm x 36.5 mm x 12.7 mm deep].
Bolt retaining keeper is stainless steel.
Strike accepts bolt of any Adams Rite 4500, 4700 (discontinued), or 4900 Deadlatch or cylindrical latches.

Strike Lip

Basic strike has lip of proper length for 1-3/4" [44.5 mm] thick door that closes flush with jamb edge. Where door thickness or jamb shape differs from this standard relationship, lip extension kits are available, specified by last dash number.

- Lip extension kits not available on 7101 or 7131.

Latchbolt Projection

1/2" to 5/8" [12.7 mm to 15.9 mm]

Faceplate

Available in a variety of architectural finishes.

7100	1-1/4" x 4-7/8" [31.8 mm x 123.8 mm]	Flat with radius corners
7101	1-1/4" x 4-7/8" [31.8 mm x 123.8 mm]	Radiused to match nose on inactive leaf in a pair of narrow stile doors.
7110	1-7/16" x 7-15/16" [36.5 mm x 201.6 mm]	Flat with radius corners
7111	1-7/16" x 10-1/4" [36.5 mm x 260.4 mm]	Flat with radius corners
7130	1-1/4" x 6-7/8" [31.8 mm x 174.6 mm]	Flat with radius corners
7131	1-1/4" x 6-7/8" [31.8 mm x 174.6 mm]	Radiused to match nose on inactive leaf in a pair of narrow stile doors
7140	1-1/4" x 4-7/8" [31.8 mm x 123.8 mm]	Flat with square corners

7130/7131: Large 6-7/8" faceplate is designed to cover strike opening when converting from an MS® pivoted-bolt deadlock to deadlatch.

Standard Package

Individually boxed with mounting screws, mounting clips, adhesive shims to accommodate jamb or stile extrusion thickness greater or less than nominal 1/8" [3.2 mm].

7140 Includes mounting clips and adhesive shims for use where welded tabs are omitted.

Shipping Weight

2 lbs [0.91 kg].

Electrical

Voltage

Available in 12, 16, or 24 Volt AC and DC. DC continuous units are silent, AC intermittent units "buzz" on operation.

Current Draw

0.33A at 12 VDC 1.42A at 12 VAC
0.22A at 16 VDC 0.63A at 16 VAC
0.17A at 24 VDC 0.74A at 24 VAC

Fail Safe | Fail Secure

Field selectable at time of installation. However, AC intermittent solenoid must not be used continuously in either.

Options

- Available with two Form 'C' monitoring switches to indicate when the latchbolt is engaged in the strike and whether the strike jaw is blocked. Not available on 7130/7131, 7140.
- Lip extension kits for various dimensions of door centerline to jamb edge; for flat faceplates only. Not available on 7101 or 7131.
- Modular Packaging**
Match one strike body kit with one faceplate kit to make a complete electric strike. Faceplate kits contain all hardware to mount electric strike. Please contact factory or sales representative for details.

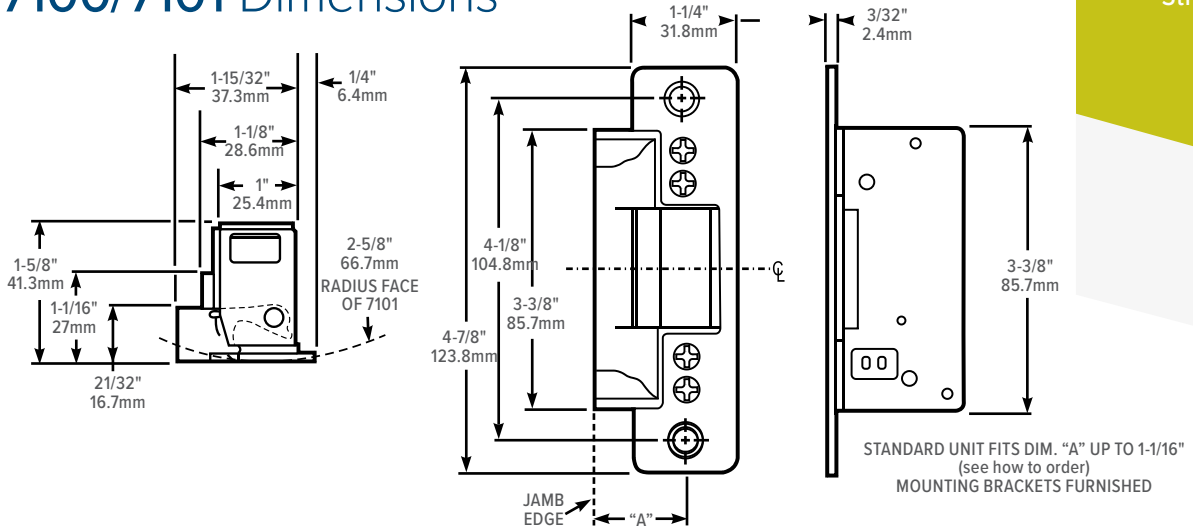
Related Products

7100/7101, 7110/7111, 7130/7131, 7140

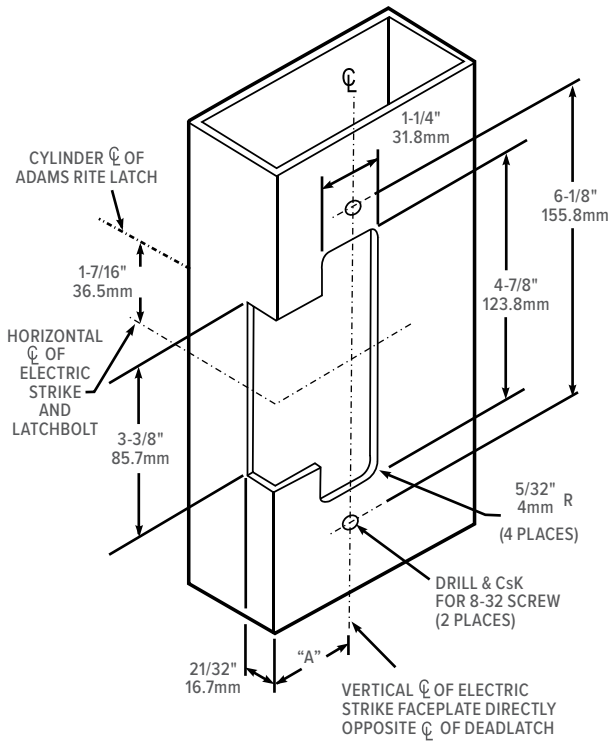
When purchasing this product, please consider the following related products, available separately:

DEADLATCHES	EXIT DEVICES	ACCESSORIES	POWER
4510, 4530, 4900, 4920AN Series Deadlatches	8300, 8400 Mortise Exit Device	Lip Extension Kits, Modular Kits, Monitor Kits	PS-1 Power Supply, 4603 Rectifier, 4605/4606 Transformer, Piezo Horn audible indicator, ElectroLynx connector

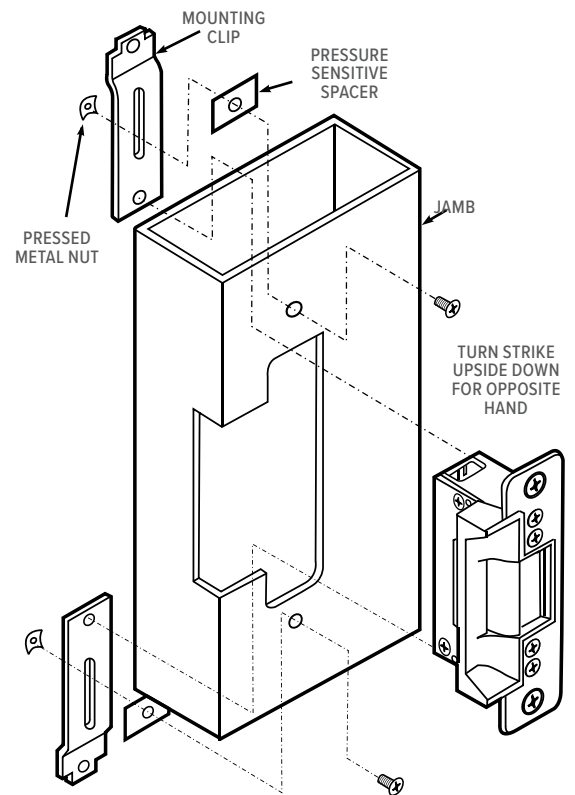
7100/7101 Dimensions



Jamb Preparation



Installation



How to Order

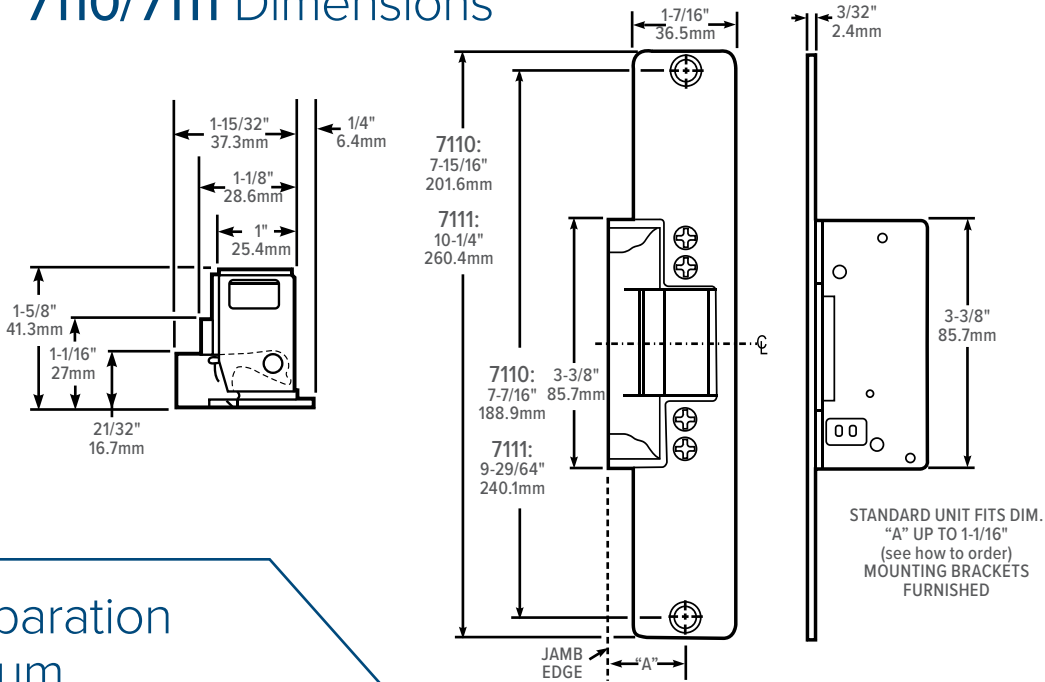
7100/7101 Electric Strikes: Specify quantity and the following information. Order related products separately.

MODEL	FACEPLATE SHAPE	VOLTAGE	CURRENT AND DUTY	FEATURES*	FINISH**	LIP EXTENSIONS (DIM. A)*** (DOOR CENTERLINE TO JAMB EDGE)	
710	0	-3	1	0	-628	-00	
	0 Flat	3 12 Volt	1 DC Continuous or Intermittent	0 Standard/Fail-Secure	313 Dark Bronze Anodized	00 1-1/16" or less	05 2"
	1 Radius	4 16 Volt	4 AC Intermittent	5 Fail-Safe	335 Black Anodized	01 1-1/2"	07 2-1/4"
		5 24 Volt		7 Monitored/ Fail-Safe	626 Satin Chrome	02 1-5/8"	09 2-1/2"
				9 Monitored/ Fail-Secure	628 Clear Anodized	03 1-3/4"	12 2-7/8"

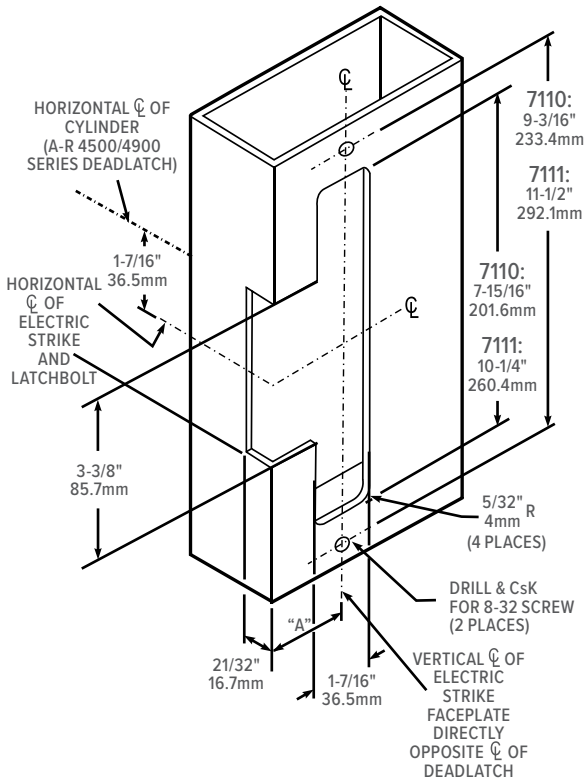
*Fail-secure can be field converted to fail-safe or vice-versa. **7101 available in 313, 335, 628 only. ***Lip Extensions not available on 7101.

All measurements are approximate and are provided for informational purposes only. Refer to the product Installation Instructions.

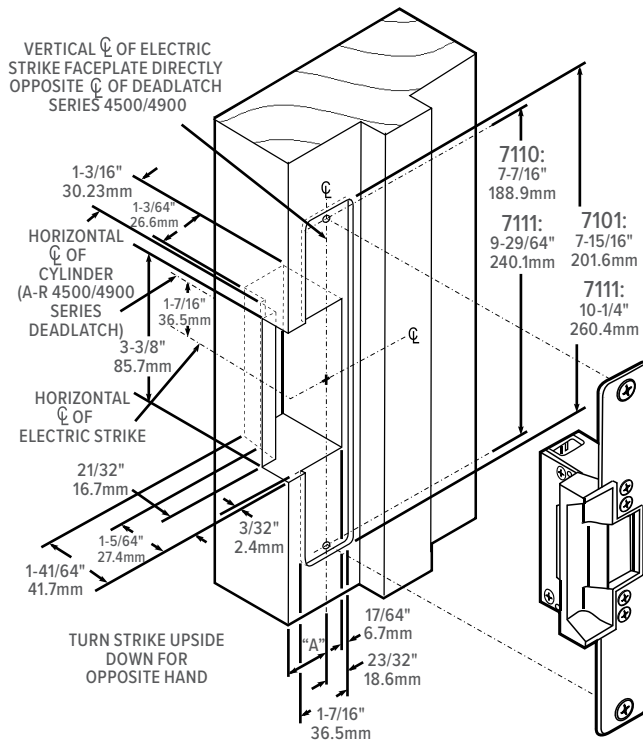
7110/7111 Dimensions



Jamb Preparation in Aluminium



Installation in Wood



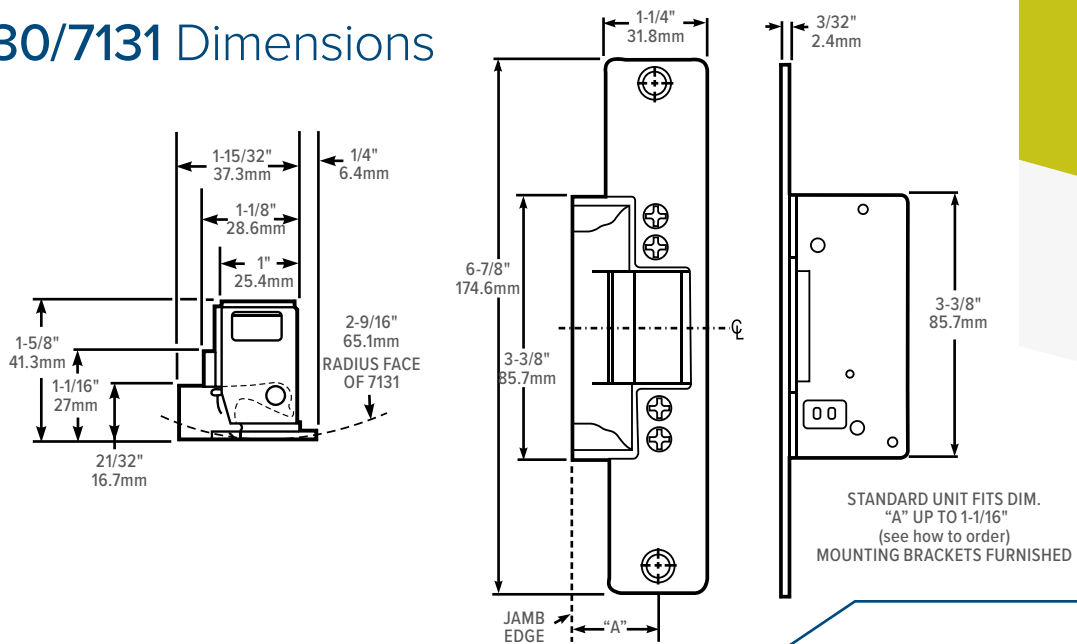
How to Order

7110/7111 Electric Strikes: Specify quantity and the following information. Order related products separately.

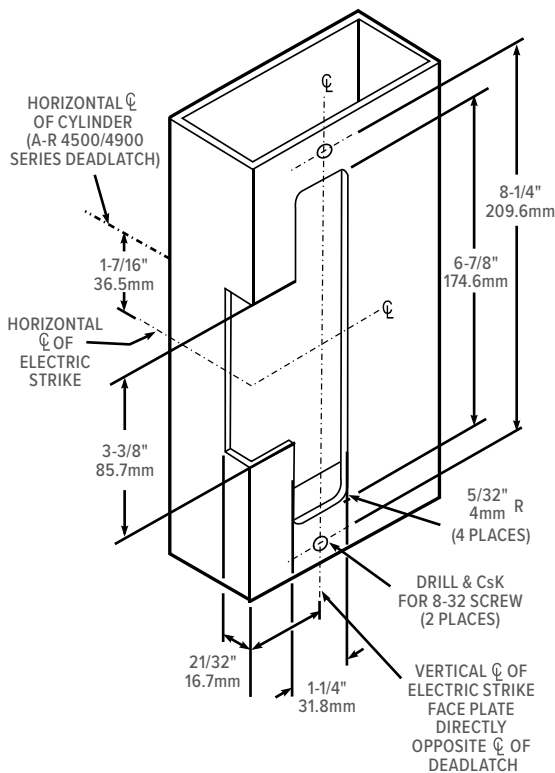
MODEL	FACEPLATE LENGTH	VOLTAGE	CURRENT AND DUTY	FEATURES*	FINISH	LIP EXTENSIONS (DIM. A) (DOOR CENTERLINE TO JAMB EDGE)	
711	0	-3	1	0	-652	-00	
	0 7-15/16"	3 12 Volt	1 DC Continuous or Intermittent	0 Standard/Fail-Secure	652 Satin Chrome	00 1-1/16" or less	05 2"
	1 10-1/4"	4 16 Volt	4 AC Intermittent	5 Fail-Safe		01 1-1/2"	07 2-1/4"
		5 24 Volt		7 Monitored/ Fail-Safe		02 1-5/8"	09 2-1/2"
				9 Monitored/ Fail-Secure		03 1-3/4"	12 2-7/8"

*Fail-secure can be field converted to fail-safe or vice-versa

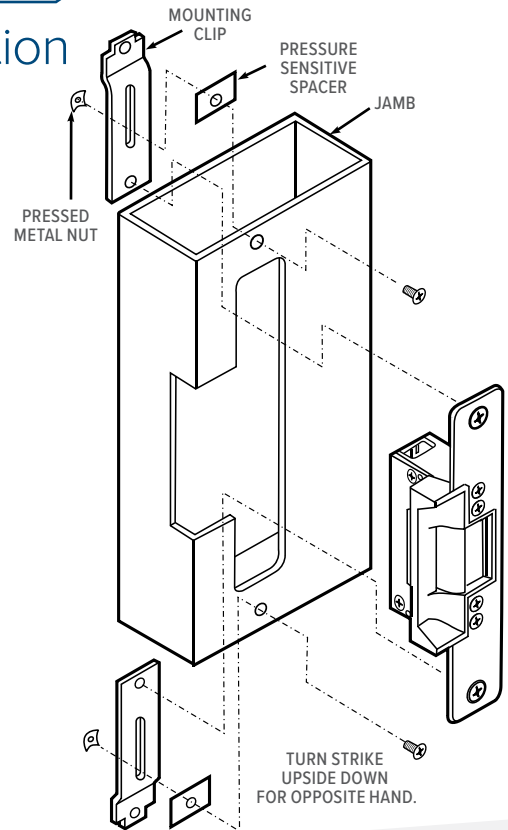
7130/7131 Dimensions



Jamb Preparation



Installation



How to Order

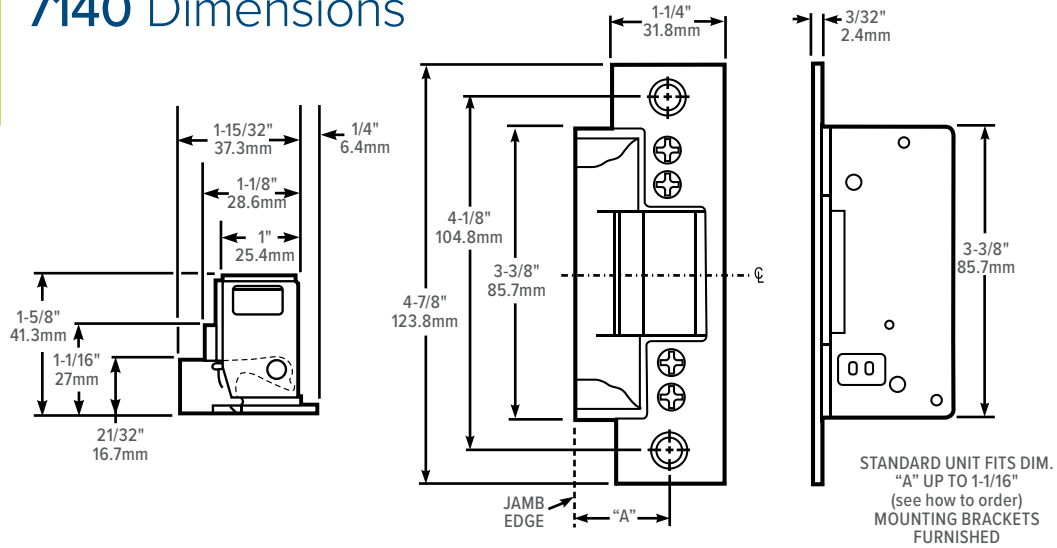
7130/7131 Electric Strikes: Specify quantity and the following information. Order related products separately.

MODEL	FACEPLATE SHAPE	VOLTAGE	CURRENT AND DUTY	FEATURES*	FINISH	LIP EXTENSIONS (DIM. A)** (DOOR CENTERLINE TO JAMB EDGE)
713	0	-3	1	0	-313	-00
	0 Flat	3 12 Volt	1 DC Continuous or Intermittent	0 Standard/Fail-Secure	313 Dark Bronze Anodized	00 1-1/16" or less 05 2"
	1 Radius	4 16 Volt	4 AC Intermittent	5 Fail-Safe	335 Black Anodized	01 1-1/2" 07 2-1/4"
		5 24 Volt			628 Clear Anodized	02 1-5/8" 09 2-1/2"
						03 1-3/4" 12 2-7/8"

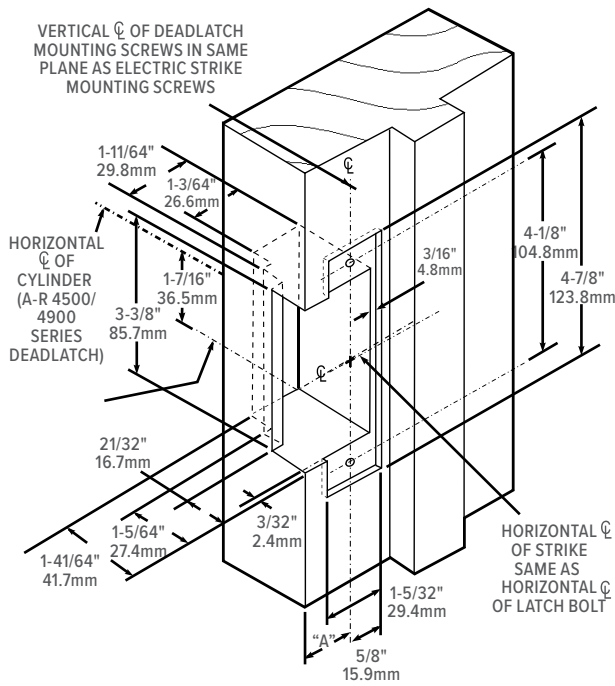
*Fail-secure can be field converted to fail-safe or vice-versa. **Lip Extensions not available on 7131.

All measurements are approximate and are provided for informational purposes only. Refer to the product Installation Instructions.

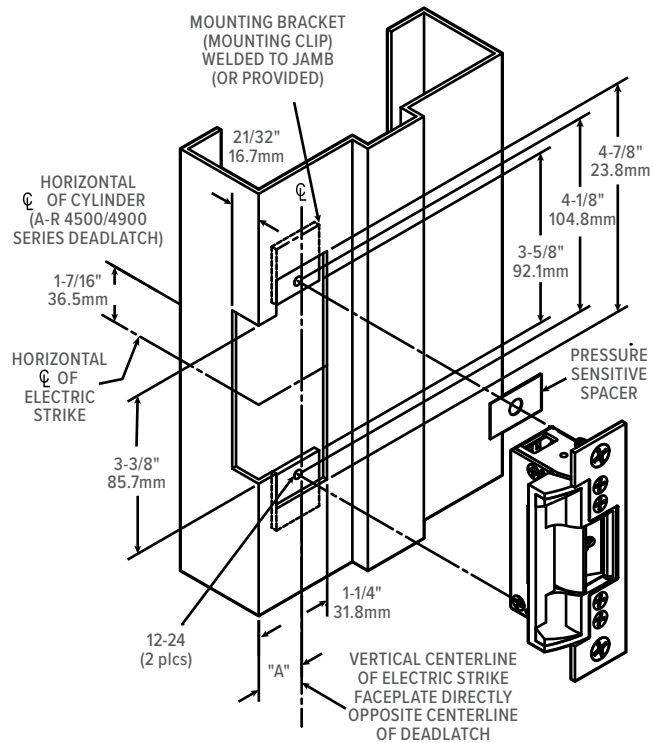
7140 Dimensions



Jamb Preparation in Wood



Jamb Preparation & Installation in Steel



How to Order

7140 Electric Strike: Specify quantity and the following information. Order related products separately.

MODEL	VOLTAGE	CURRENT AND DUTY	FEATURES*	FINISH	LIP EXTENSIONS (DIM. A) (DOOR CENTERLINE TO JAMB EDGE)	
7140	-3	1	0	-628	-00	
	3 12 Volt	1 DC Continuous or Intermittent	0 Standard/Fail-Secure	313 Dark Bronze Anodized	00 1-1/16" or less	05 2"
	4 16 Volt	4 AC Intermittent	5 Fail-Safe	335 Black Anodized	01 1-1/2"	07 2-1/4"
	5 24 Volt			626 Satin Chrome	02 1-5/8"	09 2-1/2"
				628 Clear Anodized	03 1-3/4"	12 2-7/8"

*Fail-secure can be field converted to fail-safe or vice-versa

7160, 7170

Electric Strikes for Mortise or Cylindrical Locks

7160, 7170 Electric Strikes with 4-7/8" [123.8 mm] faceplates are designed for use with mortise or cylindrical type locksets with up to 3/4" [19.1 mm] latchbolt projection without deadbolt. **7160 Electric Strikes** are for use in aluminum applications. **7170 Electric Strikes** are for use in hollow metal or wood applications.

Function

Remote electrical control of narrow stile aluminum doors (**7160**) or hollow metal/wood doors (**7170**) equipped with a mortise or cylindrical lockset with up to 3/4" [19.1 mm] latchbolt projection without deadbolt. Electrical actuation unlocks the keeper, releasing the latchbolt so the door may be opened without operating the latch itself. The electric strike must be positioned to accommodate offset mortise latches during installation. Please refer to installation instructions or contact factory for more information.

Certifications

UL 1034 burglary-resistant listed

UL 294 (6th Edition) listed



7160



7170



LISTED



Grade 1



Burglary Listed



Electrified Product

Features

Case

1" x 3-3/8" x 1-7/8" deep
[25.4 mm x 85.7 mm x 47.6 mm].

Strike Opening

Bolt retaining keeper is stainless steel.
Strike location must be centered on latchbolt.

7160: 3/4" x 1-7/16" x 5/8" deep
[19.1 mm x 36.5 mm x 15.9 mm deep].

7170: 5/8" x 1-7/16" x 5/8" deep
[15.9 mm x 36.5 mm x 15.9 mm deep].

Strike Lip

Basic strike has lip of proper length for 1-3/4" [44.5 mm] thick door that closes flush with jamb edge. Where door thickness or jamb shape differs from this standard relationship, lip extension kits are available, specified by last dash number.

Latchbolt Projection

3/4" [19.1 mm]

Faceplate

1-1/4" x 4-7/8" [31.8 mm x 123.8 mm].
Available in a variety of architectural finishes.

7160: Flat with radius corners

7170: Flat with square corners

Standard Package

Individually boxed with mounting screws.

7160 includes mounting clips, adhesive shims to accommodate jamb or stile extrusion thickness greater or less than nominal 1/8" [3.2 mm].

7170 includes mounting clips and adhesive shims for use when welded tabs are omitted.

Shipping weight

2 lbs [0.91 kg].

Electrical

Voltage

Available in 12, 16, or 24 Volt AC and DC. DC continuous units are silent, AC intermittent units "buzz" on operation.

Current Draw

0.33A at 12 VDC	1.42A at 12 VAC
0.22A at 16 VDC	0.63A at 16 VAC
0.17A at 24 VDC	0.74A at 24 VAC

Fail Safe | Fail Secure

Field selectable at time of installation. However, AC intermittent solenoid must not be used continuously in either.

Options

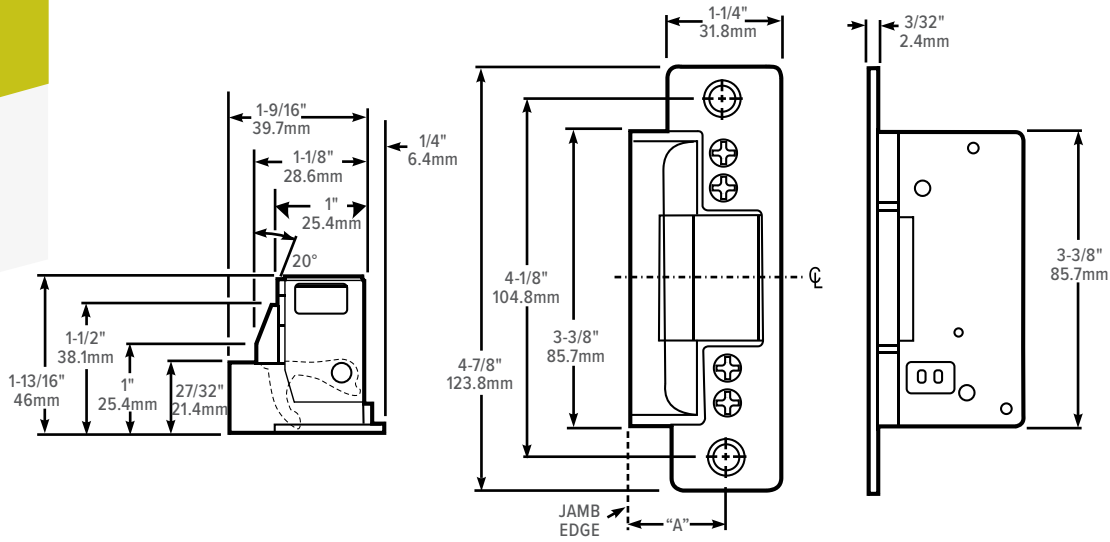
- Available with two Form 'C' monitoring switches to indicate when the latchbolt is engaged in the strike and whether the strike jaw is blocked.
- Lip extension kits for various dimensions of door centerline to jamb edge.
- **Modular Packaging**
Match one strike body kit with one faceplate kit to make a complete electric strike. Faceplate kits contain all hardware to mount electric strike. Please contact factory or sales representative for details.

Product Note

All 3/4" throw latches require 1/8" minimum door gap. Horizontal center line of strike must match line of mortise latchbolt.

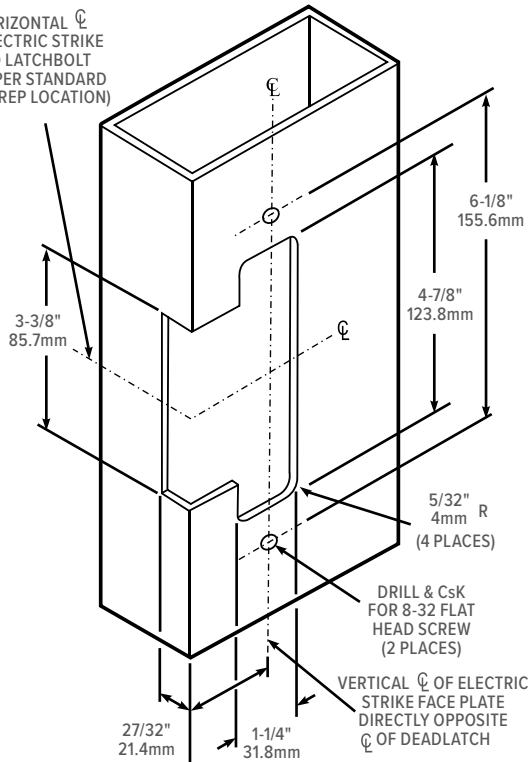
All measurements are approximate and are provided for informational purposes only. Refer to the product Installation Instructions.

7160 Dimensions

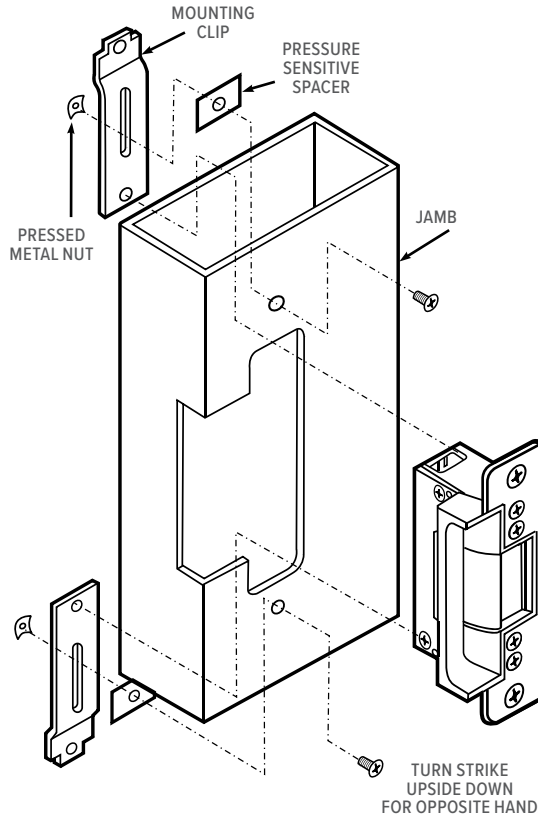


Jamb Preparation

HORIZONTAL \varnothing OF ELECTRIC STRIKE AND LATCHBOLT (NOT PER STANDARD ANSI PREP LOCATION)



Installation



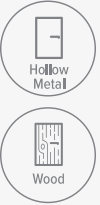
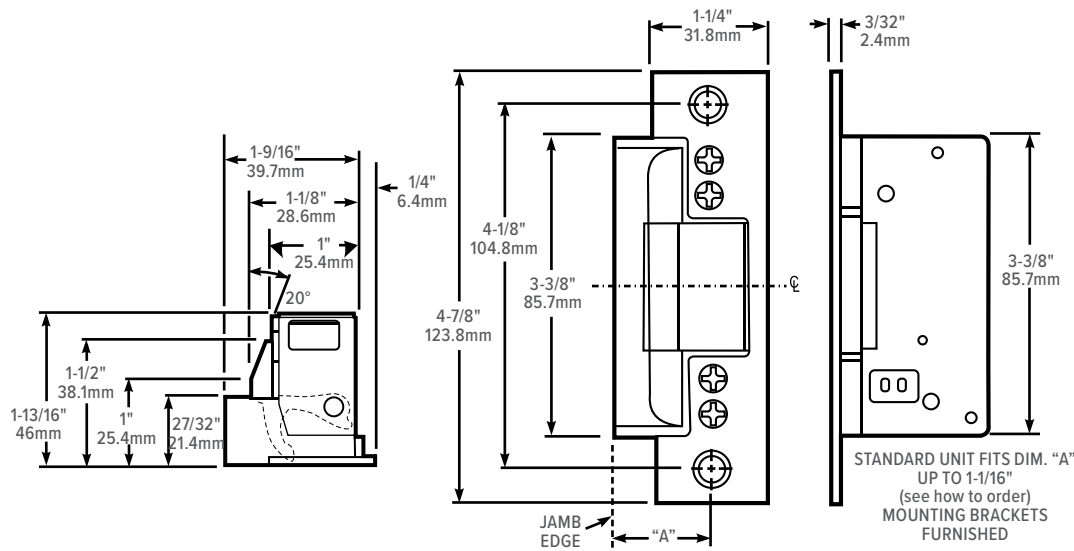
How to Order

7160, 7170 Electric Strikes: Specify quantity and the following information. Order related products separately.

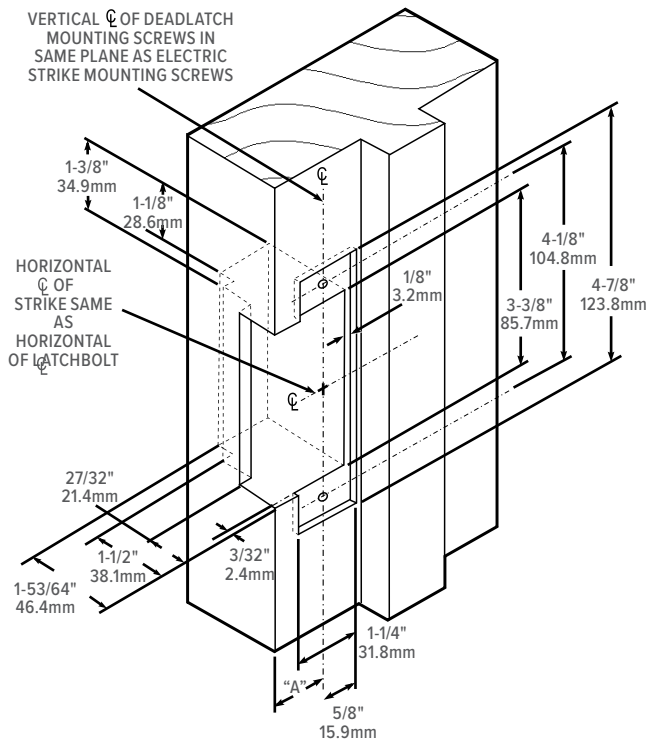
MODEL	APPLICATION	VOLTAGE	CURRENT AND DUTY	FEATURES*	FINISH	LIP EXTENSIONS (DIM. A) (DOOR CENTERLINE TO JAMB EDGE)	
71	60	-3	1	0	-628	-00	
	60 Aluminum Jamb	3 12 Volt	1 DC Continuous or Intermittent	0 Standard/Fail-Secure	313 Dark Bronze Anodized	00 1-1/16" or less	05 2"
	70 Hollow Metal, Wood	4 16 Volt	4 AC Intermittent	5 Fail-Safe	335 Black Anodized	01 1-1/2"	07 2-1/4"
		5 24 Volt		7 Monitored/ Fail-Safe	626 Satin Chrome	02 1-5/8"	09 2-1/2"
				9 Monitored/ Fail-Secure	628 Clear Anodized	03 1-3/4"	12 2-7/8"

*Fail-secure can be field converted to fail-safe or vice-versa

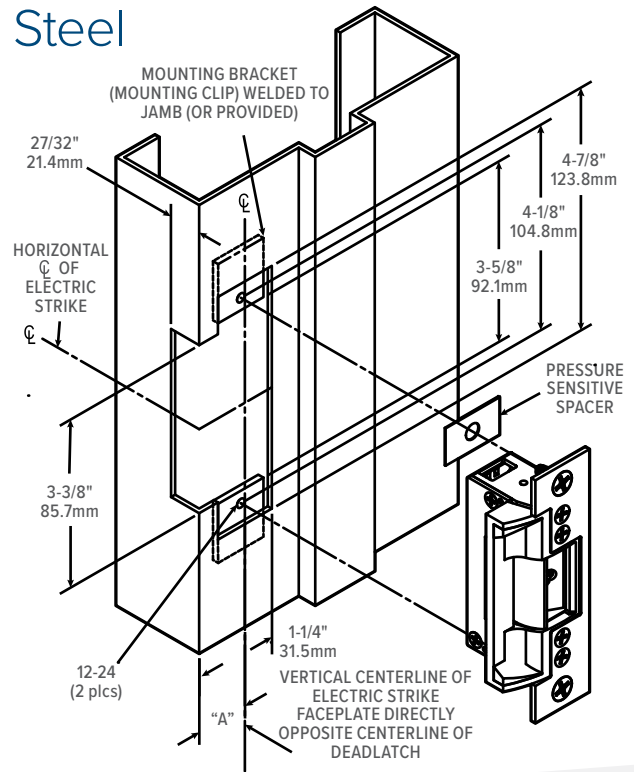
7170 Dimensions



Jamb Preparation in Wood



Jamb Preparation & Installation in Steel



Related Products

When purchasing this product, please consider the following related products, available separately:

ACCESSORIES	POWER
Lip Extension Kits, Modular Kits, Monitor Kits	PS-1 Power Supply, 4603 Rectifier, 4605/4606 Transformer, Piezo Horn audible indicator, ElectroLynx connector

7200 Series

Fire-Rated Electric Strikes

7240 Fire-Rated Electric Strikes with 4-7/8" [123.8 mm] faceplates are designed for cylindrical locksets with up to 5/8" [15.9 mm] latchbolt projection.

7270 Fire-Rated Electric Strikes with 4-7/8" [123.8 mm] faceplates are designed for mortise or cylindrical locksets with up to 3/4" [19.1 mm] latchbolt projection without a deadbolt.

Both models are for use in hollow metal door jambs.

Function

Remote electrical control of hollow metal doors equipped with cylindrical locksets with up to 5/8" [15.9 mm] latchbolt projection (**7240**) or mortise or cylindrical lockset with up to 3/4" [19.1 mm] latchbolt projection (**7270**). Electrical actuation unlocks the keeper, releasing the latchbolt so the door may be opened without operating the latch itself. Fire-rated in fail secure mode only.

Certifications

UL 10C fire rated, 3 hour single door (fail secure only)

CAN/ULC-S104 fire door conformant



Features

Case

7240: 1" x 3-3/8" x 1-5/8" deep
[25.4 mm x 85.7 mm
x 41.3 mm deep]

7270: 1" x 3-3/8" x 1-7/8" deep
[25.4 mm x 85.7 mm
x 47.6 mm deep]

Strike Opening

Bolt retaining keeper and strike lip are stainless steel. Strike accepts bolts from a variety of locksets.

7240: 5/8" x 1-7/16" x 9/16" deep
[15.9 mm x 36.5 mm
x 14.3 mm deep]

7270: 3/4" x 1-7/16" x 5/8" deep
[19.1 mm x 36.5 mm
x 15.9 mm deep]

Strike Lip

Basic strike has lip of proper length for 1-3/4" [44.5 mm] thick door that closes flush with jamb edge.

Faceplate

Measures 1-1/4" x 4-7/8"
[31.8 mm x 123.8 mm]; flat
with square corners

Latchbolt Projection

7240: 5/8" [15.9 mm]

7270: 3/4" [19.1 mm]

Standard Package

Individually boxed with mounting screws. Includes mounting clips and adhesive shims for use where welded tabs are omitted.

Shipping Weight

2 lbs [0.91 kg].

Electrical

Voltage

Available in 12 or 24 Volt AC and DC. DC continuous units are silent, AC intermittent units "buzz" on operation.

Current Draw

0.33A at 12 VDC 1.42A at 12 VAC

0.17A at 24 VDC 0.74A at 24 VAC

Fail Safe | Fail Secure

Assembled for fail-secure (locked when unpowered) operation.

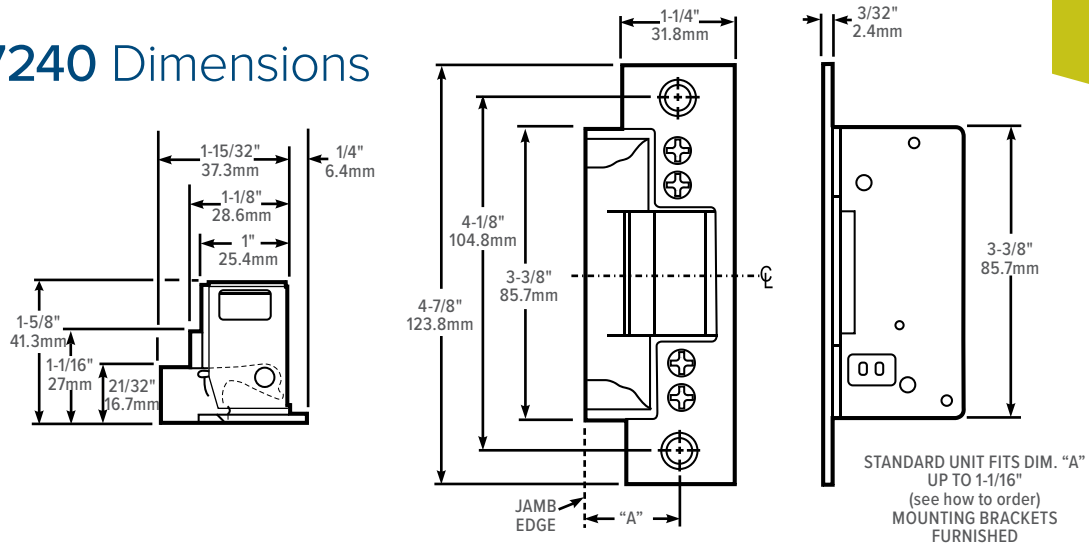
Options

- Available with two Form 'C' monitoring switches to indicate when the latchbolt is engaged in the strike and whether the strike jaw is blocked.
- Available with lip extension kit. Specify when ordering if required.

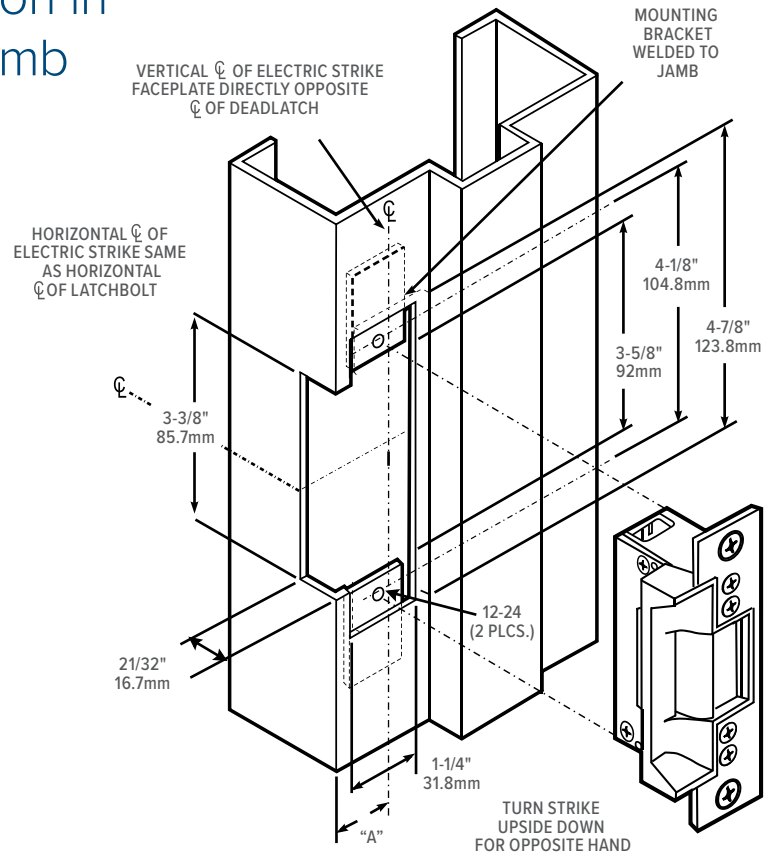
Product Note

All 3/4" throw latches require 1/8" minimum door gap. Horizontal center line of strike must match line of mortise latchbolt.

7240 Dimensions



Installation in Steel Jamb



How to Order

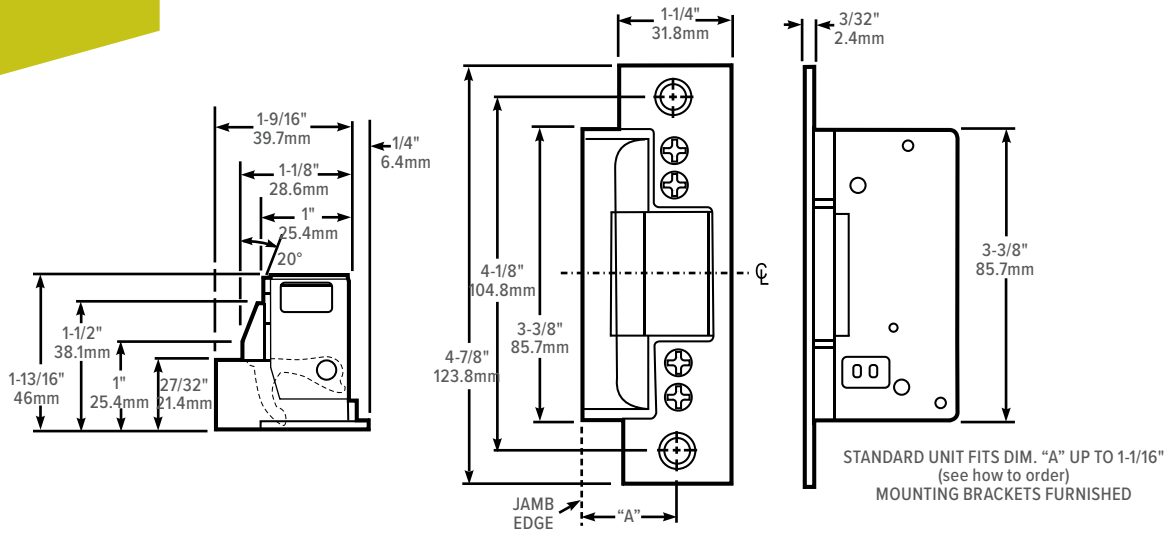
7240, 7270 Electric Strikes: Specify quantity and the following information. Order related products separately.

MODEL	APPLICATION	VOLTAGE	CURRENT AND DUTY	FEATURES*	FINISH	LIP EXTENSIONS (DIM. A) (DOOR CENTERLINE TO JAMB EDGE FOR INTERIOR FRAMES)
72	40	-3	1	0	-630	-50
	40 Cylindrical Latches	3 12 Volt	1 DC Continuous or Intermittent	0 Fail-Secure	630 Satin Stainless	00 1-1/16" or less
	70 Mortise Latches	5 24 Volt	4 AC Intermittent	9 Monitored/ Fail-Secure		50 1-3/8"

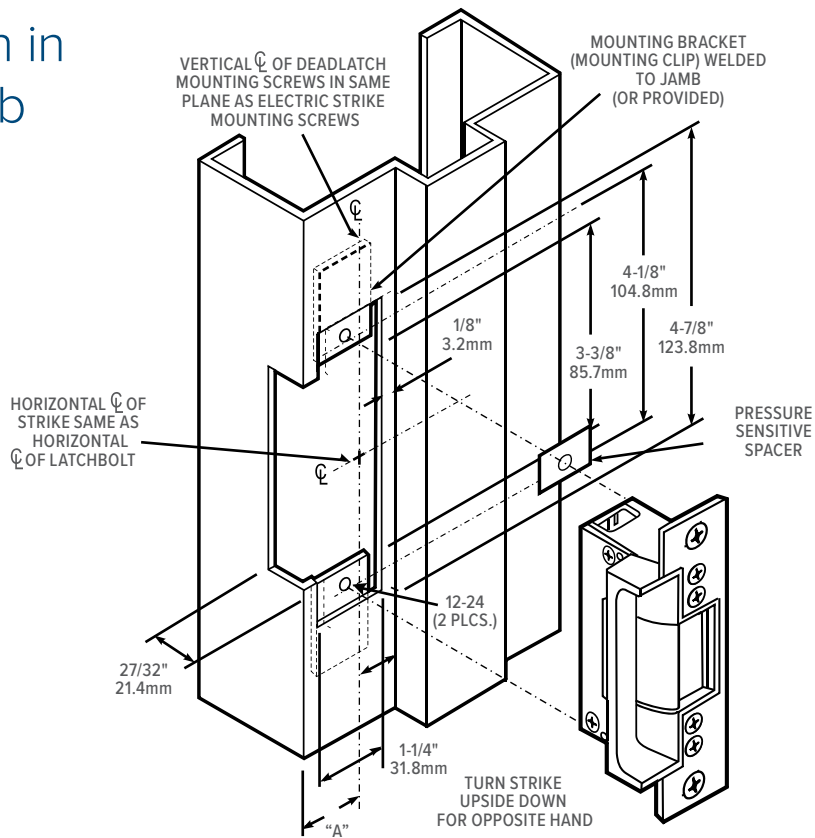
*Not available Fail-Safe

All measurements are approximate and are provided for informational purposes only. Refer to the product Installation Instructions.

7270 Dimensions



Installation in Steel Jamb



Related Products

When purchasing this product, please consider the following related products, available separately:

ACCESSORIES	POWER
Lip Extension Kits	PS-1 Power Supply, 4603 Rectifier, 4605/4606 Transformer, Piezo Horn audible indicator, ElectroLynx connector

UltraLine® 7400 Series

Electric Strikes for Adams Rite Deadlatches, Cylindrical Locks

Designed for use with Adams Rite deadlatches or cylindrical locksets with 1/2" [12.7 mm] to 5/8" [15.9 mm] latchbolt projection. For use in aluminum, hollow metal, or wood applications.

Open electrically under 25 lbs [11.3 kg] of preload. Preload is pressure exerted on doors by air conditioning systems, warping or misaligned hardware which can disable common electric strikes.

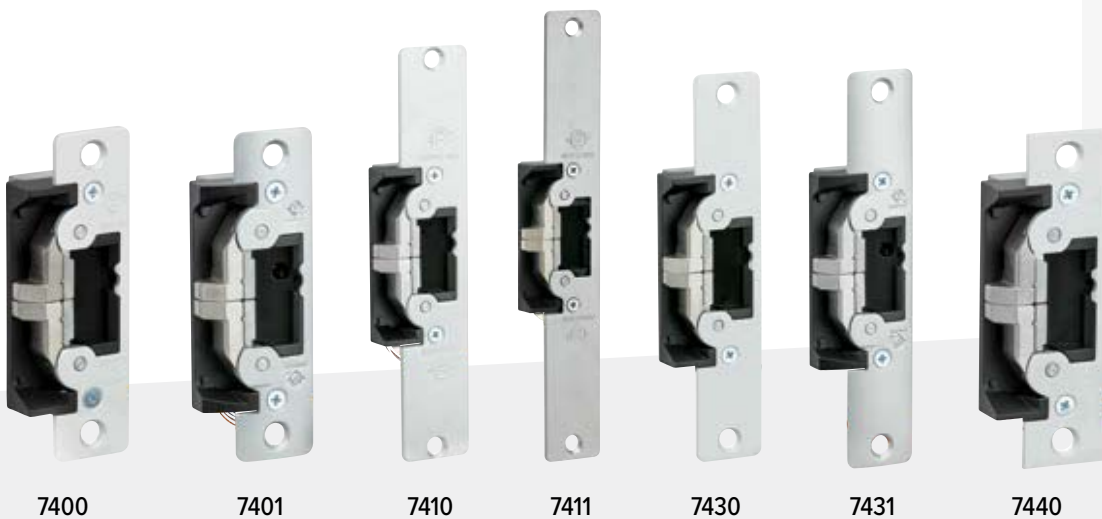
Function

This non-handed strike features an ultra-compact design and adjustable stainless steel keepers with over 1,500 lbs [680.4 kg] of holding force in fail secure mode. The strike releases electrically with up to 25 lbs of door preload. Single solenoid operates on 12/16/24 VDC power.

Remote electrical control of narrow stile aluminum doors equipped with an Adams Rite 4500, 4700 (discontinued), or 4900 Deadlatch or cylindrical lockset with 1/2" [12.7 mm] to 5/8" [15.9 mm] latchbolt projection. Electrical actuation unlocks the keeper, releasing the latchbolt so the door may be opened without operating the latch itself.

Certifications

ANSI/BHMA A156.31 Electric Strikes and Frame Mounted Actuators, Grade 1



Updated: January 14, 2019

ASSA ABLOY, the global leader in door opening solutions

US adamsrite.com | 800.872.3267 | customerservice.adamsrite@assaabloy.com

Canada assaabloydss.ca | 800.461.3007 | sales.dss.ca@assaabloy.com

Patent pending and/or patent www.assaabloydss.com/patents. Copyright © 2019, Hanchett Entry Systems, Inc., an ASSA ABLOY Group company. All rights reserved. Reproduction in whole or in part without the express written permission of Hanchett Entry Systems, Inc. is prohibited.



Features

Case

1-13/32" x 3-3/8" x 1-1/16" deep
[35.7 mm x 85.7 mm x 27 mm deep]

Strike Lip

Basic 7400 strike has lip of proper length for 1-3/4" [44.5 mm] thick door that closes flush with jamb edge. Where door thickness or jamb shape differs from this standard relationship, lip extension kits are available.

Lip extension kits not available on 7401, 7431

Strike Opening

5/8" adjustable x 1-7/16" x 1/2" deep [15.9 mm adjustable x 36.5 mm x 12.7 mm deep]. Bolt retaining keeper is stainless steel. Strike accepts bolt of Adams Rite 4500, 4700 (discontinued), or 4900 Deadlatch or cylindrical locksets.

Latchbolt Projection

1/2" to 5/8" [12.7 mm to 15.9 mm]

Preload

7400 Series Electric Strikes open electrically under 25 lbs [11.3 kg] of preload. Preload is pressure exerted on doors by air conditioning systems, warping or misaligned hardware which can disable common electric strikes.

Using jaw inserts of various sizes, the Ultraline 7400 Series electric strikes are adjustable to compensate for door and frame related preload and security problems.

Faceplate

Available in a variety of architectural finishes.

7400	1-1/4" x 4-7/8" [31.8 mm x 123.8 mm]	Flat with radius corners
7401	1-1/4" x 4-7/8" [31.8 mm x 123.8 mm]	Radiused to match nose on inactive leaf in a pair of narrow stile doors.
7410	1-7/16" x 7-15/16" [36.5 mm x 201.6 mm]	Flat with radius corners
7411	1-7/16" x 10-1/4" [36.5 mm x 260.4 mm]	Flat with radius corners
7430	1-1/4" x 6-7/8" [31.8 mm x 174.6 mm]	Flat with radius corners
7431	1-1/4" x 6-7/8" [31.8 mm x 174.6 mm]	Radiused to match nose on inactive leaf in a pair of narrow stile doors
7440	1-1/4" x 4-7/8" [31.8 mm x 123.8 mm]	Flat with square corners

7430/7431: Large 6-7/8" faceplate is designed to cover strike opening when converting from an MS® pivoted-bolt deadlock to deadlatch.

Standard Package

Individually boxed with mounting screws, mounting tabs, adhesive shims to accommodate jamb or stile extrusion thickness greater or less than nominal 1/8" [3.2 mm], an adjustable keeper shim pack and two plug-in voltage adapters for 12/24 VDC.

Shipping Weight

2 lbs [0.91 kg].

Electrical

Voltage

Field selectable to match power source of 12/24 VDC. VA7400-16VDC voltage adapter required when using 16 VDC power, available separately. Equipped with a quick connect plug-in type connector.

Current Draw

.44A at 12 VDC

.46A at 16 VDC*

.23A at 24 VDC

*Requires 16 DC adapter (P/N VA7400-16VDC)

Fail Safe | Fail Secure

Field selectable fail safe/fail secure

Options

- Available with two Form 'C' monitoring switches to indicate when the latchbolt is engaged in the strike jaws and a locked/unlocked solenoid status.
- Lip extension kits for various dimensions of door centerline to jamb edge; for flat faceplates only.
- Modular Packaging**
Match one strike body kit with one faceplate kit to make a complete electric strike. Faceplate kits contain all hardware to mount electric strike. Please contact factory or sales representative for details.
- ELX-ElectroLynx® Adapter**
Connects Adams Rite electrified products to ElectroLynx system.
- 16 VDC Adapter**
VA7400-16VDC required when using 16 VDC Power
- Wood Door Cover**
WDC7400 for use when mounting the 7400 Series Electric Strike on the inactive leaf of a pair of doors. The cover simplifies the mortise prep.

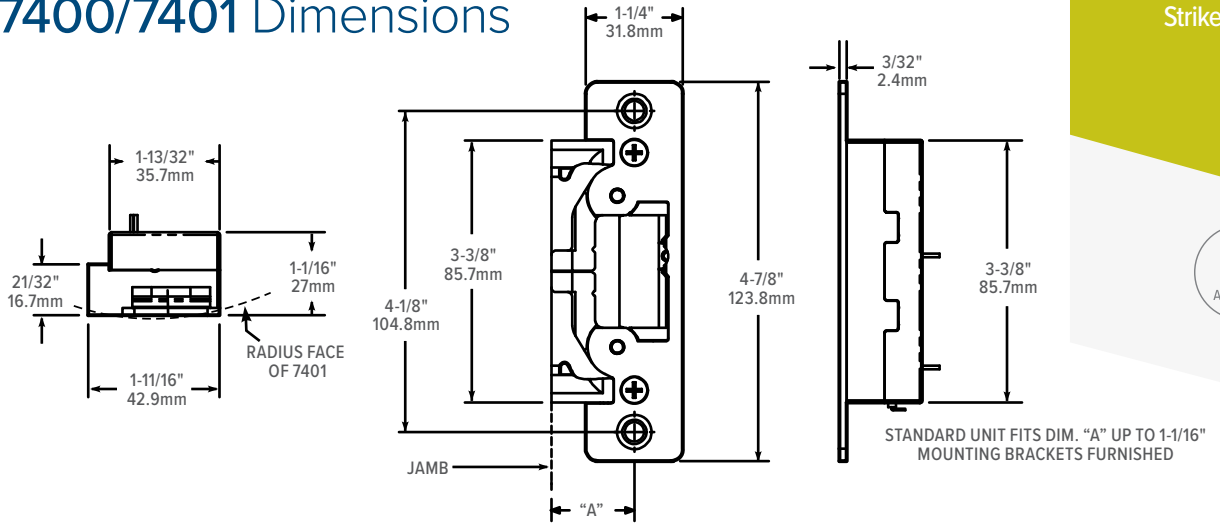
Related Products

7400/7401, 7410/7411, 7430/7431, 7440

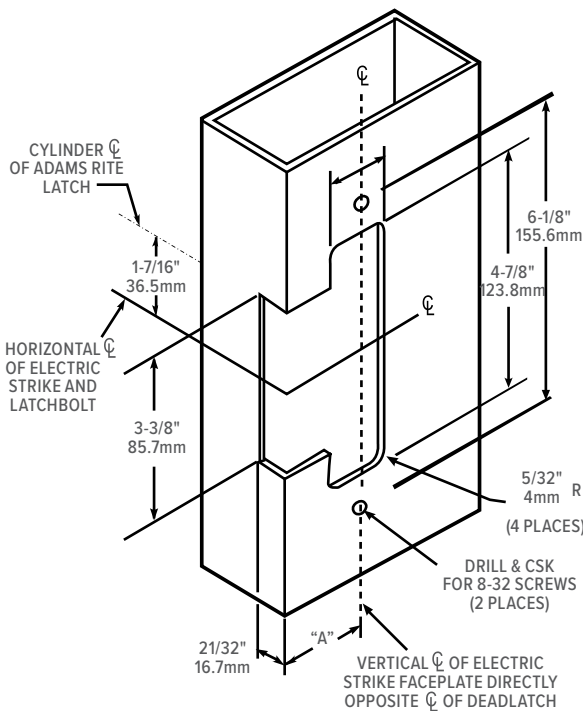
When purchasing this product, please consider the following related products, available separately:

DEADLATCHES	EXIT DEVICES	ACCESSORIES	POWER
4510, 4530, 4900, 4920AN Series Deadlatches	8300, 8400 Mortise Exit Device	Modular Kits, Lip Extension Kits, WDC7400-Wood Door Cover	PS-1 Power Supply, 4603 Rectifier, 4605/4606 Transformer, Piezo Horn audible indicator, ElectroLynx connector, VA7400 Voltage Adapter

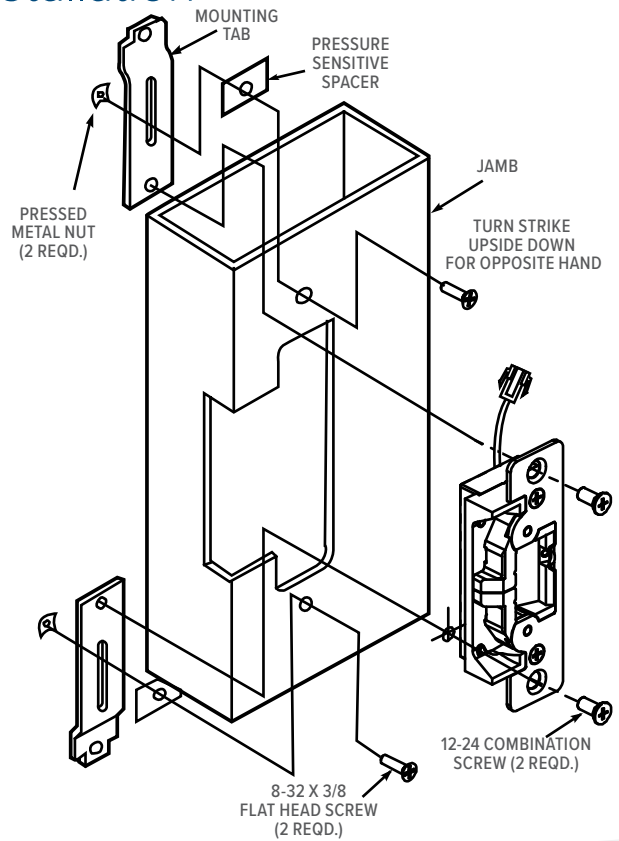
7400/7401 Dimensions



Jamb Preparation



Installation



How to Order

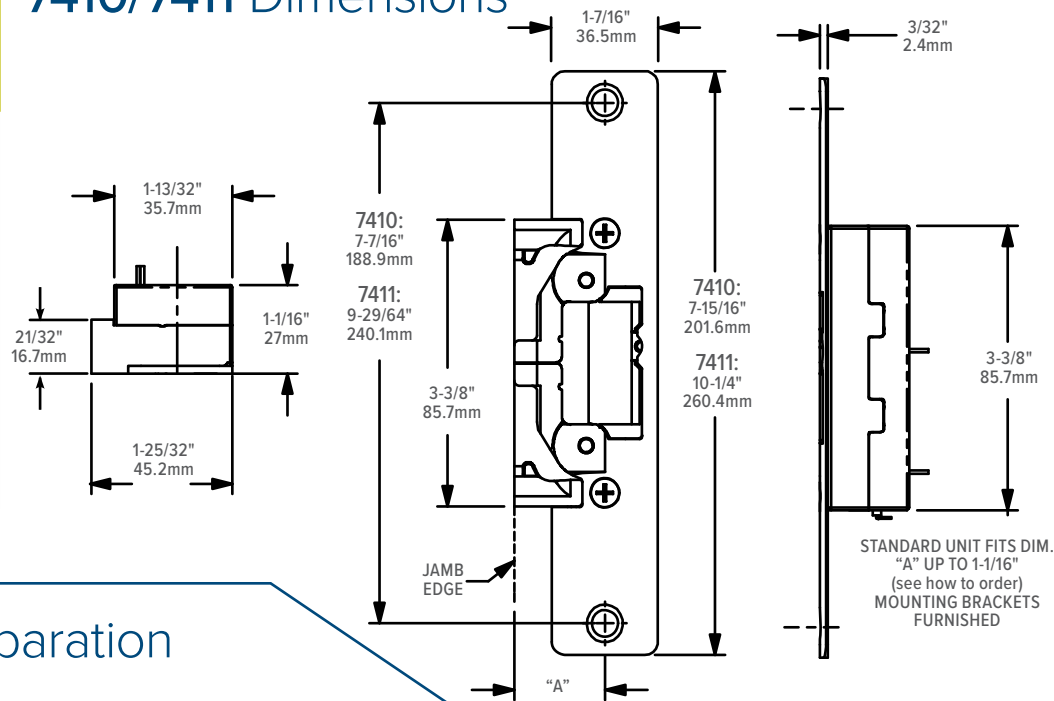
7400/7401 Electric Strikes: Specify quantity and the following information. Order related products separately.

MODEL	FACEPLATE SHAPE	FEATURES*	FINISH		
740	O	M	628		628
	0 Flat	- None	7400 ONLY		7401 ONLY
	1 Radius	M Monitored	313 Dark Bronze Anodized	626 Satin Chrome	119 To match 335 Black Anodized
		A Modular Pack – Body Kit	335 Black Anodized	628 Clear Anodized	121 To match 313 Dark Bronze Anodized
			605 Bright Brass	630 Satin Stainless	130 To match 628 Clear Anodized
			606 Satin Brass		

*Fail-secure can be field converted to fail-safe or vice-versa.

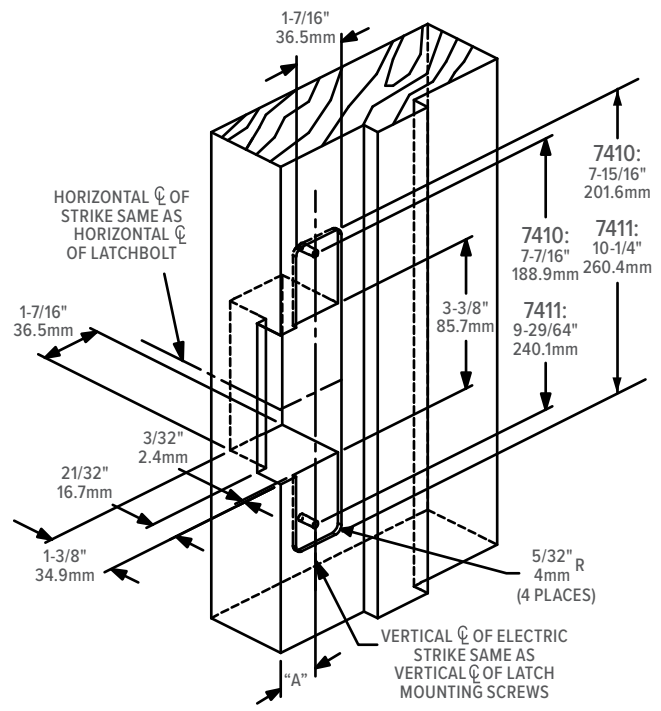
All measurements are approximate and are provided for informational purposes only. Refer to the product Installation Instructions.

7410/7411 Dimensions

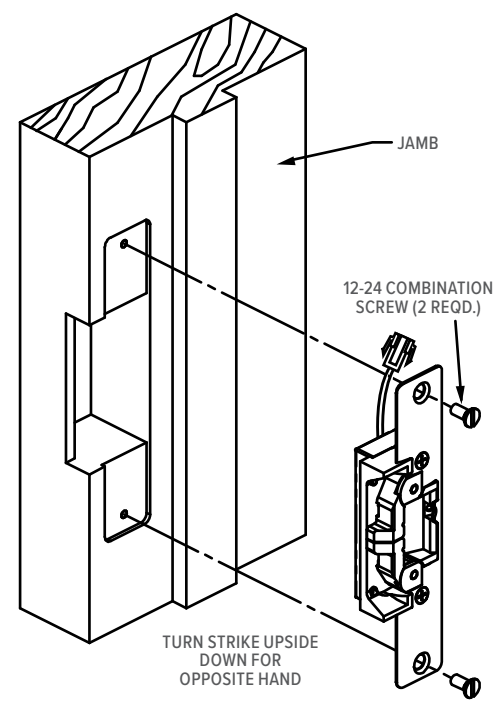


- Aluminium
- Hollow Metal
- Wood

Jamb Preparation



Installation



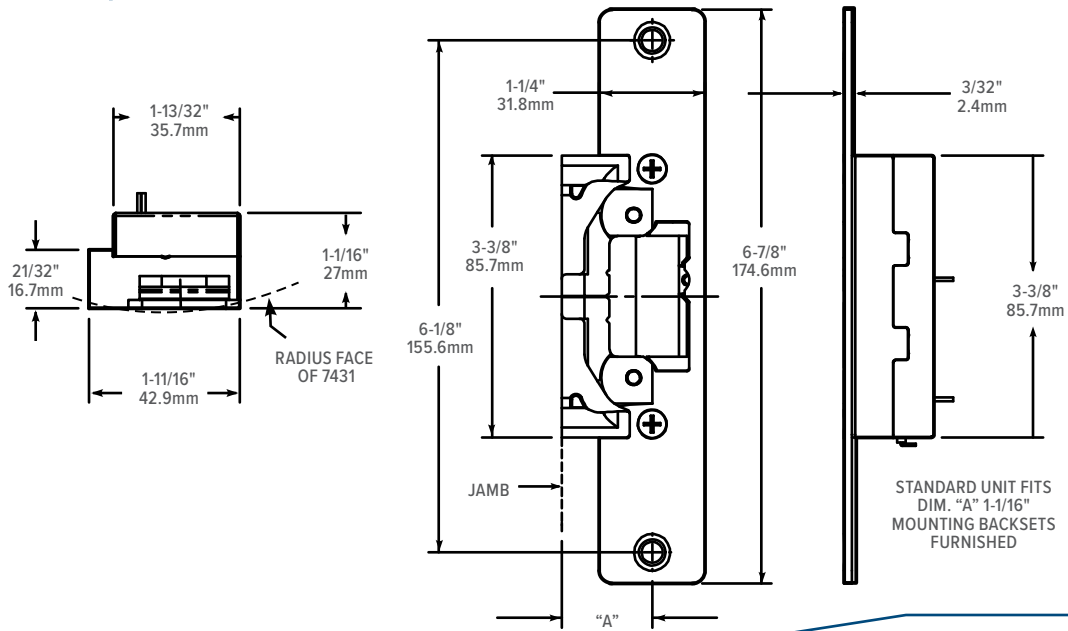
How to Order

7410/7411 Electric Strikes: Specify quantity and the following information. Order related products separately.

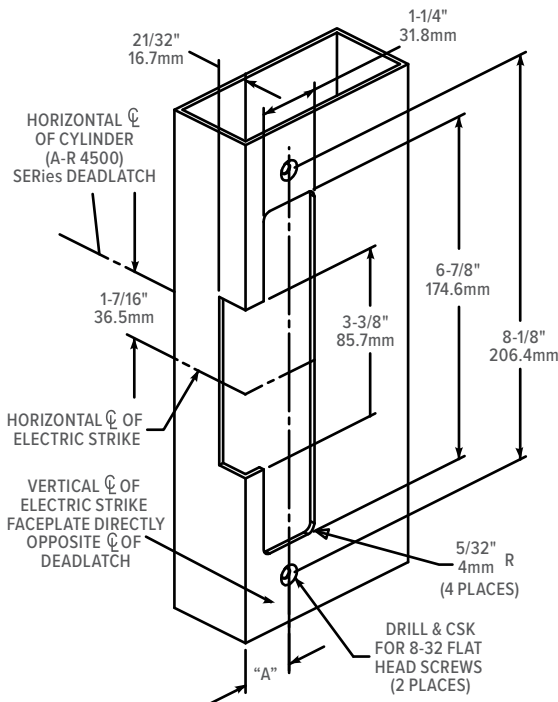
MODEL	FACEPLATE LENGTH	FEATURES*	FINISH
741	0	-	628
	0 7-15/16"	- None	313 Dark Bronze Anodized
	1 10-1/4"	M Monitored	335 Black Anodized
			628 Clear Anodized
			630 Satin Stainless

*Fail-secure can be field converted to fail-safe or vice-versa.

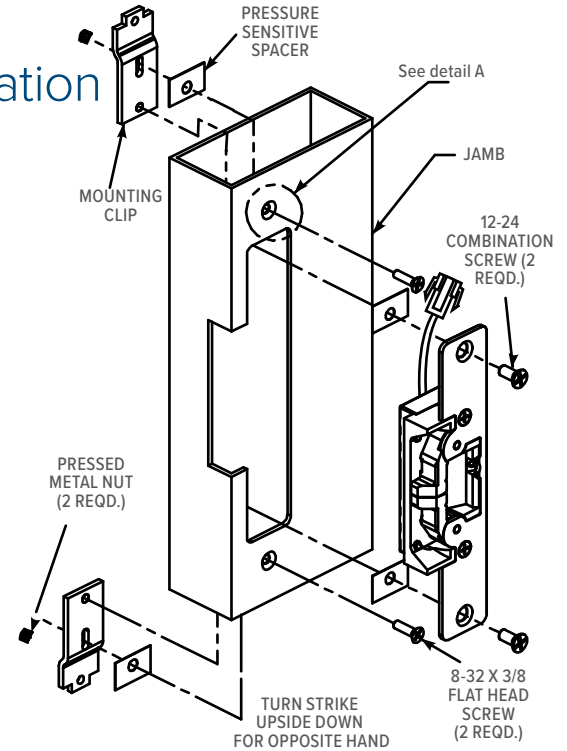
7430/7431 Dimensions



Jamb Preparation



Installation



How to Order

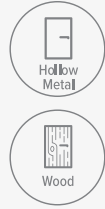
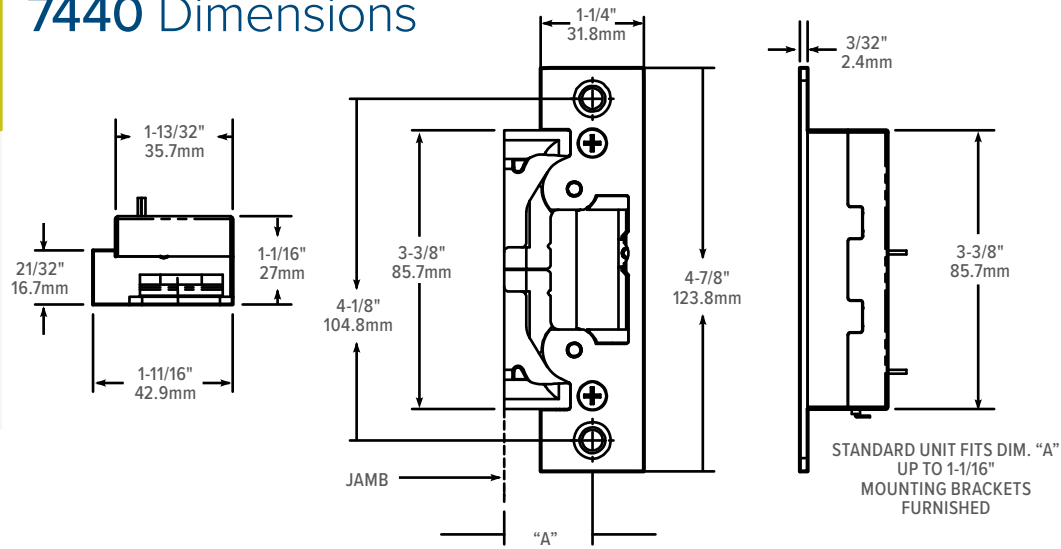
7430/7431 Electric Strikes: Specify quantity and the following information. Order related products separately.

MODEL	FACEPLATE SHAPE	FEATURES*	FINISH	
743	0	M	628	
	0 Flat	- None	7430 ONLY	7431 ONLY
	1 Radius	M Monitored	313 Dark Bronze Anodized	119 To match 313 Dark Bronze Anodized
			335 Black Anodized	121 To match 335 Black Anodized
			628 Clear Anodized	119 To match 628 Clear Anodized

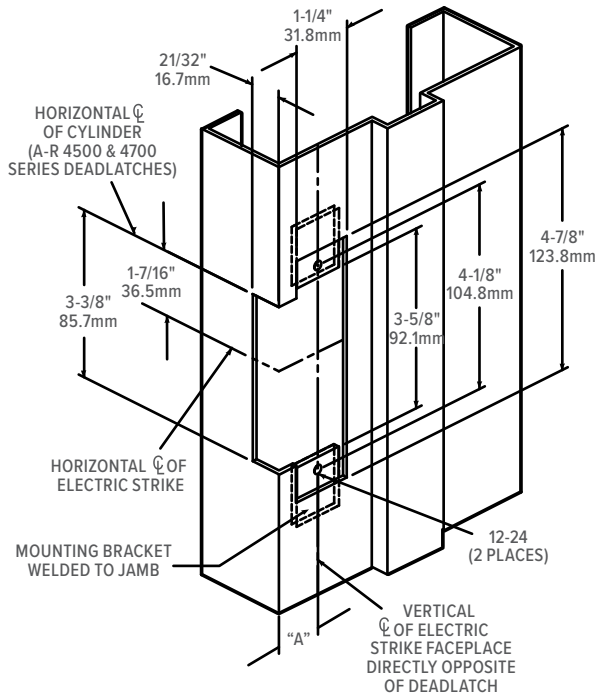
*Fail-secure can be field converted to fail-safe or vice-versa.

All measurements are approximate and are provided for informational purposes only. Refer to the product Installation Instructions.

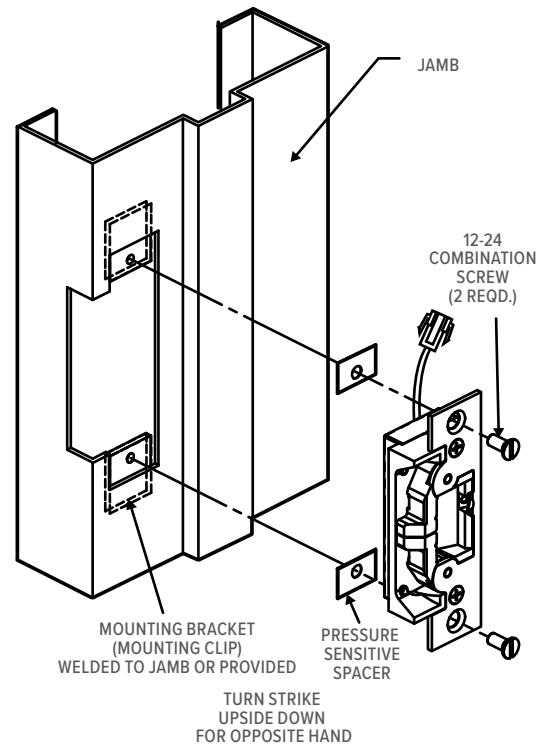
7440 Dimensions



Jamb Preparation



Installation



How to Order

7440 Electric Strike: Specify quantity and the following information. Order related products separately.

MODEL	FEATURES*	FINISH	
7440	M	628	
	- None	313 Dark Bronze Anodized	628 Clear Anodized
	M Monitored	335 Black Anodized	629 Bright Stainless
		605 Bright Brass	630 Satin Stainless
		606 Satin Brass	

*Fail-secure can be field converted to fail-safe or vice-versa.

UltraLine® 74R1, 74R2

Electric Strikes for Rim Exit Devices with Pullman Type Latchbolts

74R1 Electric Strike is designed for rim exit devices with 3/4" [19.1 mm] Pullman latchbolts. For use in aluminum, hollow metal or wood applications.

74R2 Electric Strike is designed for narrow stile rim exit devices with 1/2" [12.7 mm] Pullman latchbolts. Designed for use in aluminum applications.

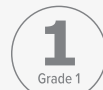
Open electrically under 25 lbs [11.3 kg] of preload. Preload is pressure exerted on doors by air conditioning systems, warping or misaligned hardware which can disable common electric strikes.

Function

These non-handed strikes feature an ultra-compact design and adjustable stainless steel keepers with over 1,500 lbs [680.4 kg] of holding force in fail secure mode. The strikes release electrically with up to 25 lbs of door preload. Single solenoid operates on 12/16/24 VDC power. Provides electrical remote control, allowing door to open without actuation of the exit device.

Certifications

ANSI/BHMA A156.31 Electric Strikes and Frame Mounted Actuators, Grade 1



Features

Case

74R1: 1-13/32" x 3-3/8" x 1-1/16" deep
[35.7 mm x 85.7 mm x 27 mm deep]

74R2: 1-13/32" x 3-3/8" x 1-1/8" deep
[35.7 mm x 85.7 mm x 28.6 mm deep]

Strike Opening

Bolt retaining keeper is stainless steel.

74R1: 5/8" x 1-7/16" x 9/16" deep
[15.9 mm x 36.5 mm x 14.3 mm deep].

Strike accepts Pullman latch of exit devices without deadlocking bolts.

74R2: 5/8" x 1-7/16" x 1/2" deep
[15.9 mm x 36.5 mm x 12.7 mm deep].

Faceplate

Not separate

74R1: 1-3/4" x 9 x 11/16"
[44.5 mm x 228.6 mm x 17.5 mm]

74R2: 1-5/8" x 9 x 1/2"
[41.3 mm x 228.6 mm x 12.7 mm]

Latchbolt Projection

74R1: 3/4" [19.1 mm]

74R2: 1/2" [12.7 mm]

Standard Package

Individually boxed with mounting plate shims, mounting screws, and installation instructions.

Shipping Weight

2 lbs [0.91 kg].

Electrical

Voltage

Field selectable to match power source of 12/24 VDC. VA7400-16VDC voltage adapter required when using 16 VDC power, available separately. Equipped with a quick connect plug-in type connector.

Current Draw

.44A at 12 VDC

.46A at 16 VDC*

.23A at 24 VDC

*Requires 16 DC adapter (P/N VA7400-16VDC)

Fail Safe | Fail Secure

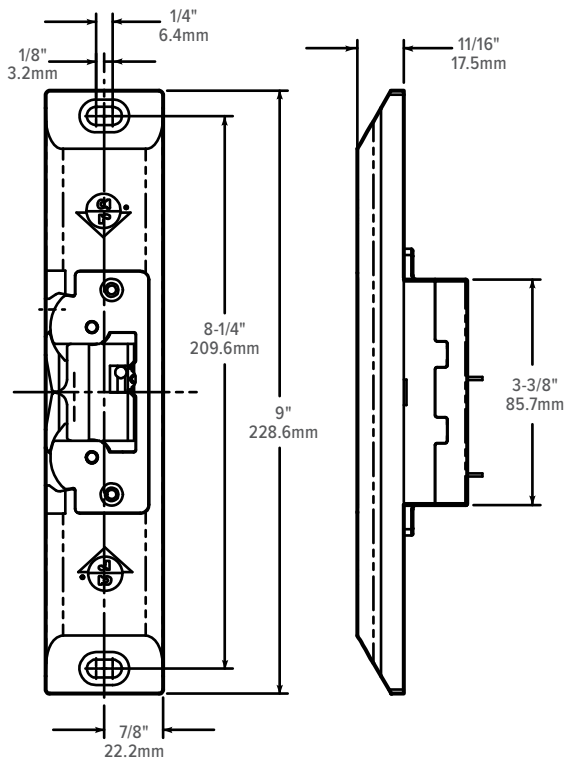
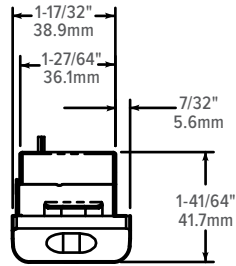
Field selectable fail safe/fail secure

Options

- Available with two Form 'C' monitoring switches to indicate when the latchbolt is engaged in the strike jaws and a locked/unlocked solenoid status.
- **ELX-ElectroLynx® Adapter**
Connects Adams Rite electrified products to ElectroLynx system
- **16 VDC Adapter**
VA7400-16VDC required when using 16 VDC power

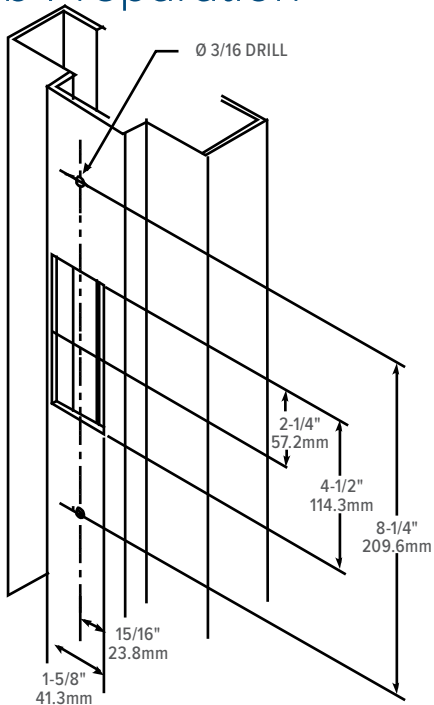
All measurements are approximate and are provided for informational purposes only. Refer to the product Installation Instructions.

74R1 Dimensions

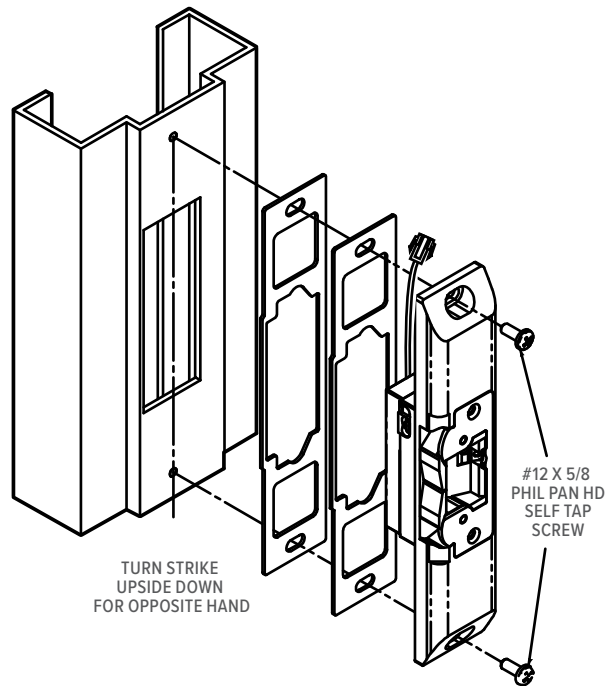


-  Aluminium
-  Hollow Metal
-  Wood

Jamb Preparation



Installation



How to Order & Related Products

74R1 Electric Strike: Specify quantity and the following information. Order related products separately.

MODEL	FEATURES*	FINISH
74R1	M	-130
	- None	119 To match 335 Black Anodized
	M Monitored	121 To match 313 Dark Bronze Anodized
		130 To match 628 Clear Anodized

RELATED

When purchasing this product, please consider the following related products, available separately:

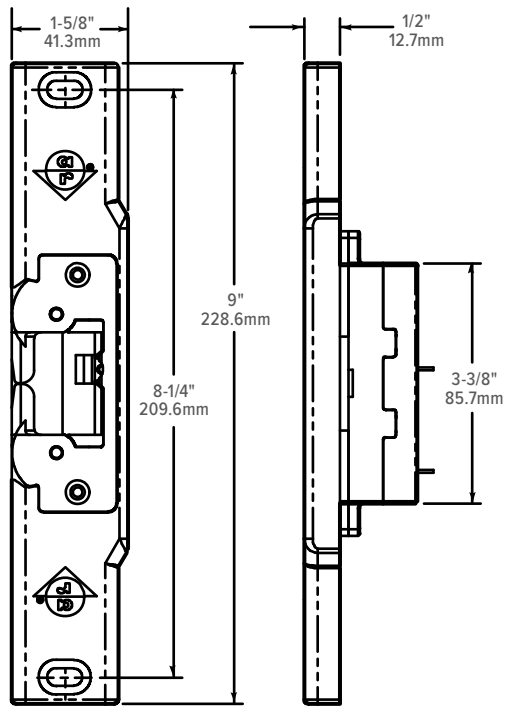
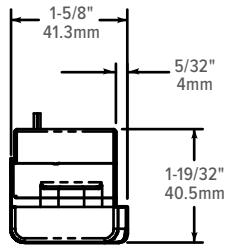
EXIT DEVICES	POWER
EX89 Pullman Rim Exit Device	PS-1 Power Supply, 4603 Rectifier, 4605/4606 Transformer, Piezo Horn audible indicator, ElectroLynx connector, VA7400-16VDC Adapter

*Fail-secure can be field converted to fail-safe or vice-versa.

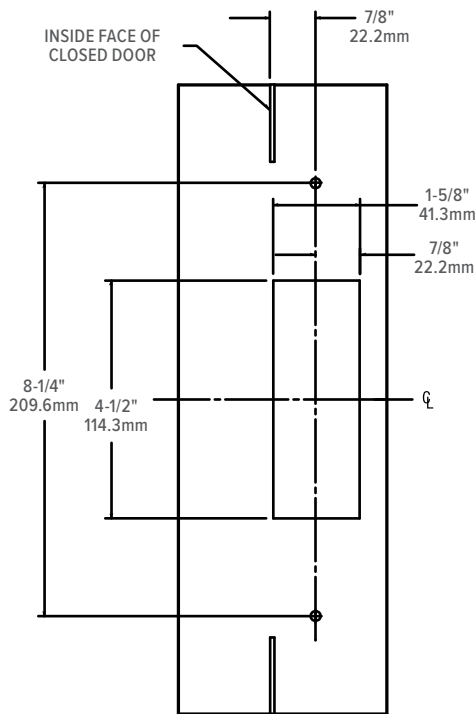


All measurements are approximate and are provided for informational purposes only. Refer to the product Installation Instructions.

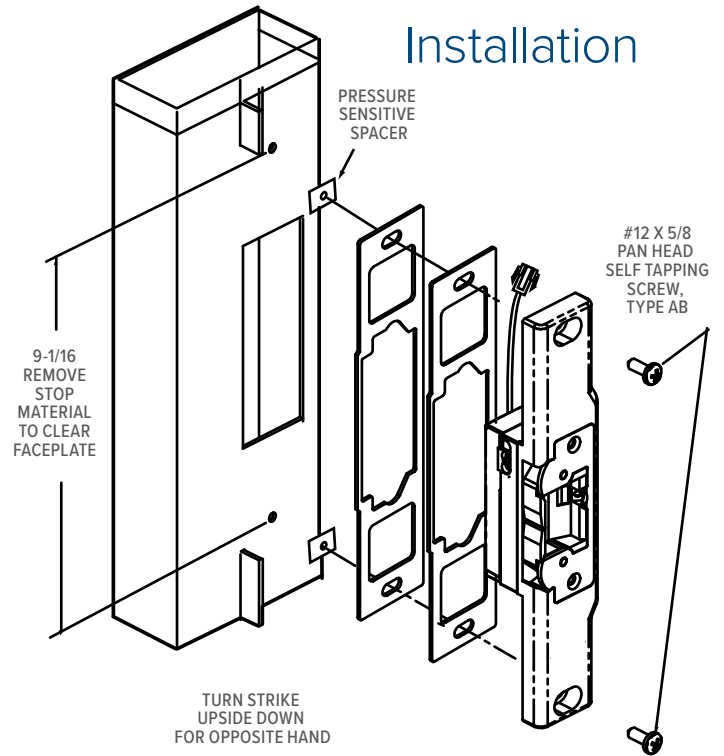
74R2 Dimensions



Jamb Preparation



Installation



How to Order & Related Products

74R2 Electric Strike: Specify quantity and the following information. Order related products separately.

MODEL	FINISH
74R2	-130
	119 To match 335 Black Anodized
	121 To match 313 Dark Bronze Anodized
	130 To match 628 Clear Anodized

*Fail-secure can be field converted to fail-safe or vice-versa.

RELATED

When purchasing this product, please consider the following related products, available separately:

POWER
PS-1 Power Supply, 4603 Rectifier, 4605/4606 Transformer, Piezo Horn audible indicator, ElectroLynx connector, VA7400-16VDC Adapter

7800

Electric Strike for Rim Exit Devices with Starwheel/ Interlocking Type Latchbolts

7800 Electric Strike is designed for use with Adams Rite rim exit devices with a Starwheel/Interlocking latchbolt (8700, 8800 Series, EX88). For use in aluminum, hollow metal or wood applications.



Function

This non-handed, low-profile, surface mounted electric strike features an ultra-compact design and adjustable stainless steel keepers with over 1,500 lbs [680.4 kg] of holding force in fail secure mode. Internally mounted dual solenoid operates on 12 or 24 VDC power. Provides electrical remote control, allowing door to open without actuation of the exit device.

Certifications

ANSI/BHMA A156.31, Grade 1

UL 294 listed

UL 1034 burglary-resistant listed
and suitable for outdoor use

RoHS compliant

Features

Strike Dimensions

1-13/4" x 9" x 9/16" deep
[44.5 mm x 229 mm x 14.2 mm deep]

Strike Opening

Bolt retaining keeper
is stainless steel.

1" x 1-1/2" x 1/2" deep [24.4 mm
x 38.1 mm x 12.7 mm deep].

Strike only accepts Starwheel/
Interlocking latching mechanism.

Faceplate

Not separate

1-3/4" x 9-1/64" x 9/16"
[44.5 mm x 229 mm x 14.2 mm deep]

Compatibility

Accommodates Starwheel/
Interlocking latching mechanism
of Adams Rite 8700, 8800, EX88
Series Rim Exit Devices.

Standard Package

Individually boxed with 1/16" and
1/8" spacer plates, mounting screws
and installation instructions.

- Spacer Plates included to accommodate varying door gaps.
- Screws for wood applications not provided

Shipping

Weight approximately 2 lbs [0.91 kg].

Electrical

Voltage

Field selectable, dual
voltage, 12 or 24 VDC.

Current Draw

0.45A at 12 VDC

0.25A at 24 VDC

Fail Safe | Fail Secure

Field selectable fail safe/fail secure

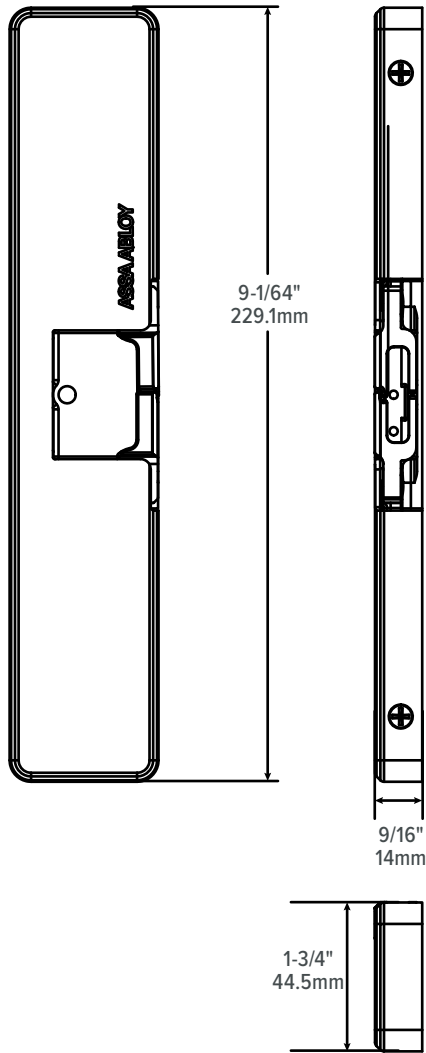
Options & Accessories

- Ships standard with one 1/16" and 1/8" spacer plate. Units ordered in 613E, 628E, 630, & BSP finishes will be made of stainless steel to match. All other finishes will receive black stainless steel spacers. Additional spacer plates can be ordered separately.
- Available with two monitoring options:
 - Form 'C' monitoring switches to indicate when the latchbolt is engaged in the strike jaws and a locked/unlocked solenoid status (M).
 - Latchbolt monitor (L)
- ELX-ElectroLynx® Adapter: Connects Adams Rite electrified products to ElectroLynx system

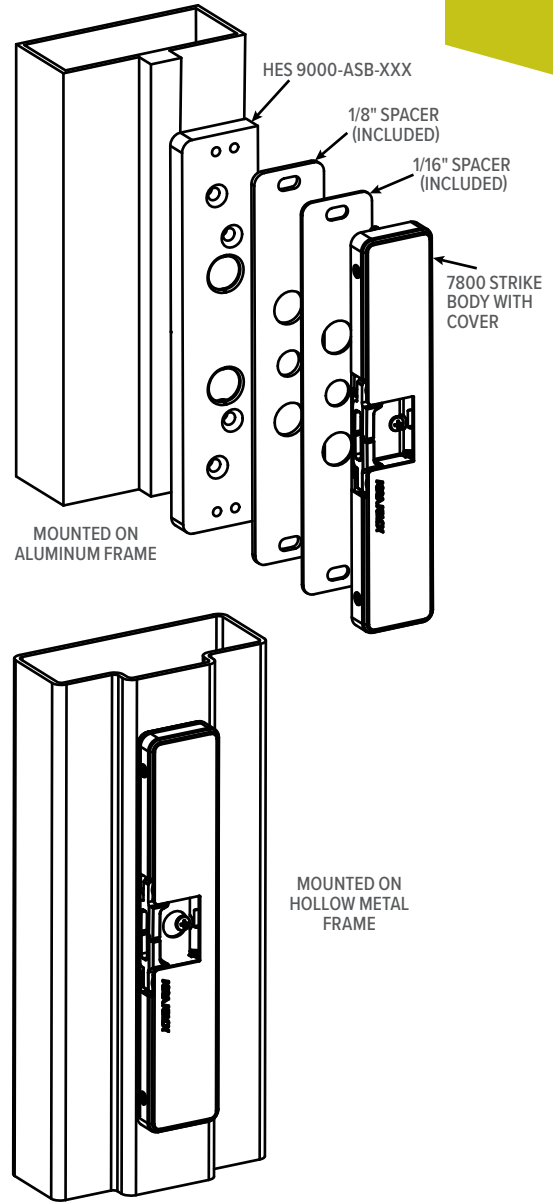
Product Note

Also available as HES 9800
Electric Strike

Dimensions



Installation



How to Order & Related Products

7800 Electric Strike Specify quantity and the following information. Order related products separately.

MODEL	FEATURES*	FINISH	
7800	M	630	
	- None	605 Bright Brass	629 Bright Stainless
	L Latchbolt Monitor	606 Satin Brass	630 Satin Stainless
	M Monitored	613E Dark Oxidized Satin Broinze Powder	BSP Black Suede Powder
		628E Satin Aluminum Clear Anodized	

*Fail-secure can be field converted to fail-safe or vice-versa.

RELATED PRODUCTS

When purchasing this product, please consider the following related products, available separately:

OPTIONS & ACCESSORIES	EXIT DEVICES	POWER
7800-116-XXX 1/16" spacer plate, 7800-108-XXX 1/8" spacer plate, HES 9000-MTK Metal Template Kit*, HES 9000-ASB-XXX Aluminum Spacer Bracket*	8700, 8800 Series Rim Exit Devices EX88 Interlocking Rim Exit Device	4603 Rectifier, 4605/4606 Transformer, Piezo Horn audible indicator, PS-1, ElectroLynx connector, HES 2005M3 SMART Pac III*

*Available from ASSA ABLOY Electronic Security Hardware

Options & Accessories

Lip Extension Kits

7100 Series Electric Strikes

Lip extensions are for center hung doors, thick doors, or other conditions that vary from the "standard" 1-3/4" thick door that closes flush (or near flush) with the jamb face. Specified with electric strike by the last dash number which varies the door centerline to jamb edge dimension in 1/8" increments. For existing 7100 Series Electric Strikes, a thin metal membrane in the standard lip can be drilled or punched out and the lip extension can be added in the field. The dash number for lip extension is the same as door centerline to jamb edge dash number on complete strike.

7100 Lip Extension

LIP EXTENSION PART NUMBER	APPLICABLE ELECTRIC STRIKES
91-0171-01 through -13	7100, 7110, 7111, 7130, 7140
91-0172-01 through -13	7160, 7170

7100 Lip Extension Dimensions

DASH PART NUMBER	DIMENSION 'A' – DOOR CENTERLINE TO JAMB EDGE	DASH PART NUMBER	DIMENSION 'A' – DOOR CENTERLINE TO JAMB EDGE
-00	1-1/16"	-07	2-1/4"
-01	1-1/2"	-08	2-3/8"
-02	1-5/8"	-09	2-1/2"
-03	1-3/4"	-10	2-5/8"
-04	1-7/8"	-11	2-3/4"
-05	2"	-12	2-7/8"
-06	2-1/8"	-13	3"

1-1/16" or less does not require a lip extension.

Lip extensions for fire-rated 7200 Series Electric Strikes must be factory installed.

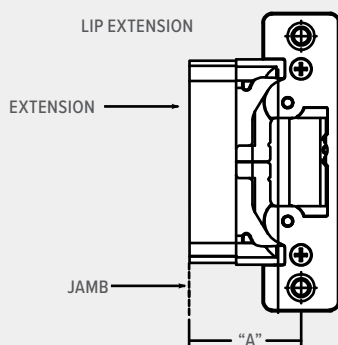
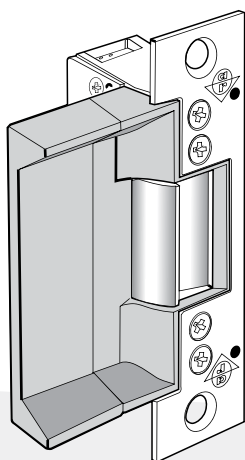
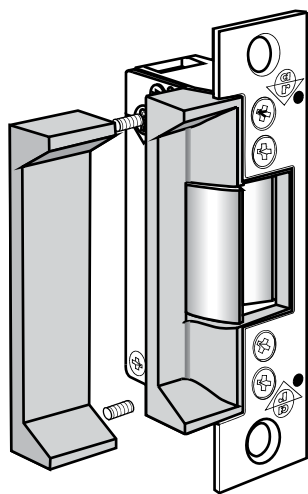
Ultraline 7400 Series Electric Strikes

Lip extensions are for center hung doors, thick doors, or other conditions that vary from the "standard" 1-3/4" thick door that closes flush (or near flush) with the jamb face. Lip extension kits are available in 1/8" increments, for flat faceplates only.

7400 Lip Extension

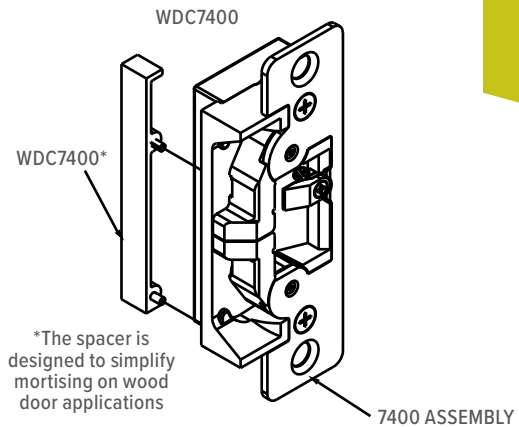
PART NUMBER	DIMENSION 'A' – DOOR CENTERLINE TO JAMB EDGE	PART NUMBER	DIMENSION 'A' – DOOR CENTERLINE TO JAMB EDGE
LEK7400-50	1-3/8"	LEK7400-07	2-1/4"
LEK7400-01	1-1/2"	LEK7400-08	2-3/8"
LEK7400-02	1-1/16"	LEK7400-09	2-1/2"
LEK7400-03	1-3/4"	LEK7400-10	2-5/8"
LEK7400-04	1-7/8"	LEK7400-11	2-3/4"
LEK7400-05	2"	LEK7400-12	2-7/8"
LEK7400-06	2-1/8"	LEK7400-13	3"

1-1/16" or less does not require a lip extension



WDC7400 Wood Door Application

For use with Ultraline 7400 Electric Strikes only, this cover plate is designed to simplify mortising of wood door pairs.

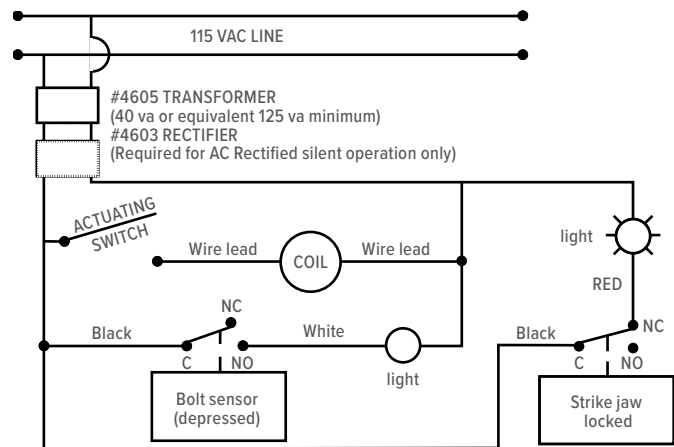


Monitor Switches

If a visual or other signal is required to tell an operator what the electric strike is doing, a "monitoring" strike to switch that signal on and off is required.

This feature utilizes two sensor switches: one is activated by the latchbolt's penetration of the strike and the other by the mechanism that blocks the strike's release.

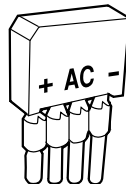
These switches can also be used to interconnect two strikes in "mantrap" or interlock situations, such as elevator doors. In these cases, power to the solenoid of each strike is controlled by the switch(es) of the other so one will not unlock unless the other is locked. Each switch has both normally open and normally closed leads to they can be wired to either make or break a circuit.



Power

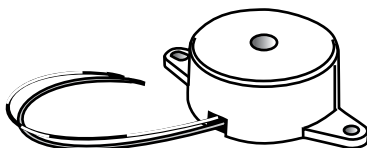
4603 Rectifier

Converts low voltage AC current to DC of same voltage. Installs in low voltage line between transformer and strike. Full wave bridge type. Rated 2 amps (200 PIV).



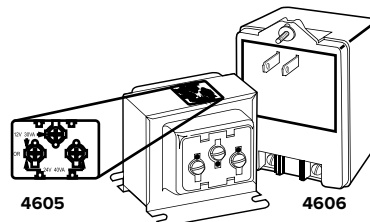
29-0218 Piezo Horn

Provides for audible indication of when a DC strike is energized. Operates with 12 VDC, 16 VDC, or 24 VDC strikes.



Transformers

- **4605** Converts 120 VAC to 12/24 VAC. Rated 40 Volt-amp output assures plenty of power for strike release.
- **4606** Converts 120 VAC current to 24 VAC. Plugs into standard wall outlet.



PS-1 Power Supply

Provides filtered and regulated voltage output to power electric strikes, magnetic locks, or other access control devices. Output is selectable in the field for 12 or 24 VDC. Charging circuit is built-in for battery backup power with 12 or 24 VDC operation. LED on circuit board indicates power input.

