



Adams Rite Product Catalog

U.S. & Canada effective February 1, 2019



ASSA ABLOY, the global leader
in door opening solutions

3100 Series Fire-Rated Surface Vertical Rod Exit Device

8100 Series Life-Safety Surface Vertical Rod Exit Device

The **3100 Series Fire-Rated Surface Vertical Rod Exit Device** is designed for hollow metal and wood applications that require a fire-rated exit device with surface vertical rods for two-point locking.

The **8100 Series Surface Vertical Rod Exit Device** is designed for hollow metal and wood applications that require a life-safety exit device with surface vertical rods for two-point locking.

Designed for use in applications with single doors or pairs of doors.

MODEL	TYPE	RATING	DOOR CONSTRUCTION	MAX SIZE SINGLE DOORS	MAX SIZE PAIR & DOUBLE EGRESS
3100	SVR	3 hr	Hollow Metal Door	4'-0" x 10'-0"	8'-0" x 10'-0"
3100	SVR	90 min	Wood Door	4'-0" x 10'-0"	8'-0" x 9'-0"
3100T	SVR-TRO	3 hr	Hollow Metal Door	4'-0" x 8'-0"	8'-0" x 10'-0"
3100W	SVR-TRO	1-1/2 hr	Wood Door	4'-0" x 8'-0"	8'-0" x 8'-0"
3100W	SVR-TRO	20 min	Wood Door	4'-0" x 9'-0"	8'-0" x 9'-0" (std. pairs)

Certifications

UL 305 Panic Hardware

3100 Only UL 10(c) fire-rated, up to 3 hours for non "T" product

CAN/ULC S104 fire door conformant

NFPA 252 fire door conformant

ANSI/BHMA A156.3-2008 Grade 1

ANSI/BHMA A156.3-2014 Grade 2

Features

Materials

Push bar made of extruded aluminum, available in a variety of finishes.

Handing

Device is non-handed.

Push bar Length

Standard sizes: dimensioned for 30" [762 mm], 36" [914.4 mm], 42" [1066.8 mm], and 48" [1219.2 mm] openings. Standard width bars can be field cut to the next smallest opening width.

Bar Height

Standard model adjusts from 30" [762 mm] to 44" [1117.6 mm].

Door Height

Standard configuration suitable for doors up to 8' [2.44 m] door, with bar height at 40" [1016 mm] – 44" [1117.6 mm]. For doors up to 10' [3.05 m] use 3055 Tall Door Kit available separately.

Door Thickness

Suits 1-3/4" [44.5 mm] standard, up to 2-1/4" [57.2 mm].

Stile Width

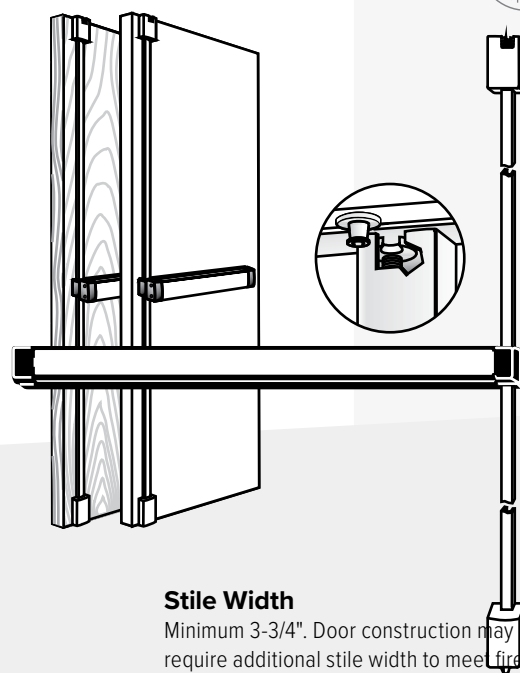
Minimum 3-3/4". Door construction may require additional stile width to meet fire ratings and provide adequate strength.

Projection

2-15/16" [74.6 mm] when fully projected, 1-15/16" [49.2 mm] when dogged.

Dogging

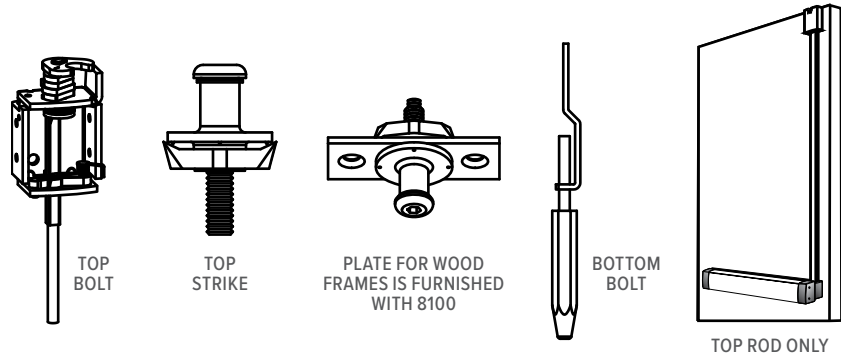
Standard dogging with hex key or with cylinder not available on fire-rated exit devices. Electric dogging option available only.



3100 Only



All measurements are approximate and are provided for informational purposes only. Refer to the product Installation Instructions.



Fasteners

Standard self-tapping screws and machine screws. Optional Sex Bolt Kits 26-0584 (two required per device). Specify finish.

Cylinders

Select any standard 1-5/32" [29.4 mm] diameter rim cylinder such as the 8736 Rim Cylinder. Available separately.

Cylinder x Fixed Pull Functions

For entry trim function 03 (Night latch - key releases latch) select any standard 1-5/32" [29.4 mm] diameter rim cylinder such as the 8736 Rim Cylinder. Available separately.

Entry Trim Functions

For entry trim function 08 (key locks/unlocks lever) or function 09 (key releases lever) select any standard 1" [25.4 mm] length, 1-5/32" [29.4 mm] diameter mortise cylinder with MS® cam such as the 4036 Mortise Cylinder. Accommodates cylinder lengths from 1" [25.4 mm] to 1-1/4" [31.8 mm]. Available separately.

Bolts and Strikes

The patented top latching mechanism utilizes a rotating top bolt which latches around the header strike, interlocking the door to the frame. Adjustable steel rods protected in contoured covers. The hexagonal, hardened steel bottom bolt is shielded in a cast housing for strength and stability. For wood frames, an additional plate is supplied for securing the header strike.

Standard Package

Individually boxed.

Shipping Weight

12 lbs [5.44 kg]

Options

- Available in top rod only version, less bottom rod. Specify by adding "T" after exit device model number.
- **Electrification Options**
Motorized Latch Retraction, Electric Latch Retraction (LR), Electric Dogging, Alarm
- Monitoring, Cylinder Dogging, Matching End Caps

For more detailed information on any of the options listed above please see the Exit Devices Options on page 97 of this catalog.

How to Order & Related Products

3100, 8100 Surface Vertical Rod Exit Device: Specify quantity and the following information. Order related products separately.

MODEL	PUSH BAR FINISH	ROD TYPE	DEVICE OPTIONS	MONITORING OPTION	DOOR OPENING WIDTH On pair of doors, specify HALF of the total exit opening		US FINISH	END CAPS OPTION FOR US FINISH
81	00	—	SE	M2	-30		-US32D	MEC
31 Fire Rated	00 US Finish	T Top Rod only	LR Electric Latch Retraction (solenoid)	M Single Switch	30 30 inches*	42 42 inches	US3 Bright Brass	MEC Matching End Caps
81 Life-Safety	11 Clear Anodized 628	W Top Rod only - Wood doors	SE Motorized Latch Retraction	M2 Dual Switch	36 36 inches	48 48 inches	US4 Satin Brass	
	22 Dark Bronze Anodized 313	- Standard rods	C Cylinder Dogging (non-fire rated devices ONLY)	(Blank) No Monitor	AXXB Alarmed Exit Device where XX is door opening width		US32 Bright Stainless	
	33 Black Anodized 335		ED Electric Dogging				US32D Satin Stainless	
			(Blank) No Option					

* Please note that 30" exit devices cannot accommodate monitoring options, except when ordered in conjunction with the SE option.

RELATED When purchasing this product, please consider the following related products, available separately:

TRIM	CYLINDER	ACCESSORIES	POWER
3080, 3080E Series Entry Trim, 3090-150, A100 Series Keyless Entry, 3001 Fixed Pull (for hollow metal or wood)	Operable by either 4036 Mortise Cylinder or 8736 Rim Cylinder depending upon the ANSI/BHMA functions of the exit device.	26-0584 Sex Bolt Kit (two required per device) Tall Door Kit available separately: 8055 for 8100 or 3055 for 3100 REX-Monitor/Signal Kits	PS-SE, PS-LR Power Supply, 4612 Power Transfer Device, 4605 Transformer, 4603 Rectifier