



Adams Rite Product Catalog

U.S. & Canada effective February 1, 2019

 Adams
Rite

ASSA ABLOY

ASSA ABLOY, the global leader
in door opening solutions

MS1847 Series

MS® Deadlock/Deadlatch

The MS1847 Deadlock/Latch for ultra-narrow stile aluminum sliding doors features a self-protecting bolt with adjustable bolt projection.

Function

A compact lock designed to fit within very narrow sliding door stiles without compromising the high degree of security that these doors need. The sturdy stainless steel bolt has two important features not usually found in sliding door hardware. First, it is adjustable: a full 3/16" [4.8 mm] lengthening or shortening of bolt projection is possible by turning an exposed screw in the face of the lock. This can compensate for considerable misalignment between door and jamb. Second, the bolt is self-protecting: if the door is closed with the bolt in the locked position, the bolt will retract immediately upon contact with the jamb, thus preventing damage or accidental lockout.

Operation

Cylinder pulls are available separately for keyed operation. Three hub slot positions allow installation even where jamb and stile design provides severely limited turn clearance.



Features

Case

Measures 1/2" x 3-3/16" x 1-1/8"
[12.7 mm x 80.97 mm x 28.6 mm].
Stainless steel.

Bolt

Three-ply laminated stainless steel. Designed to withstand approximately one-half ton of either horizontal or vertical force. Anti-lift bolt stops both door-from-jamb pry bar attacks and attempts to lift the door from its track.

Faceplate

Rectangular face or full radiused ends (see how-to-order table on back of page for dash numbers).

Latch Version

The MS1847-11 and MS1847-13 feature the same stainless steel hookbolt, but the bolt is spring-loaded for automatic latching. All dimensions and available accessories for the MS1847 Deadlocks also apply to MS1847 Deadlatches.

Standard Package

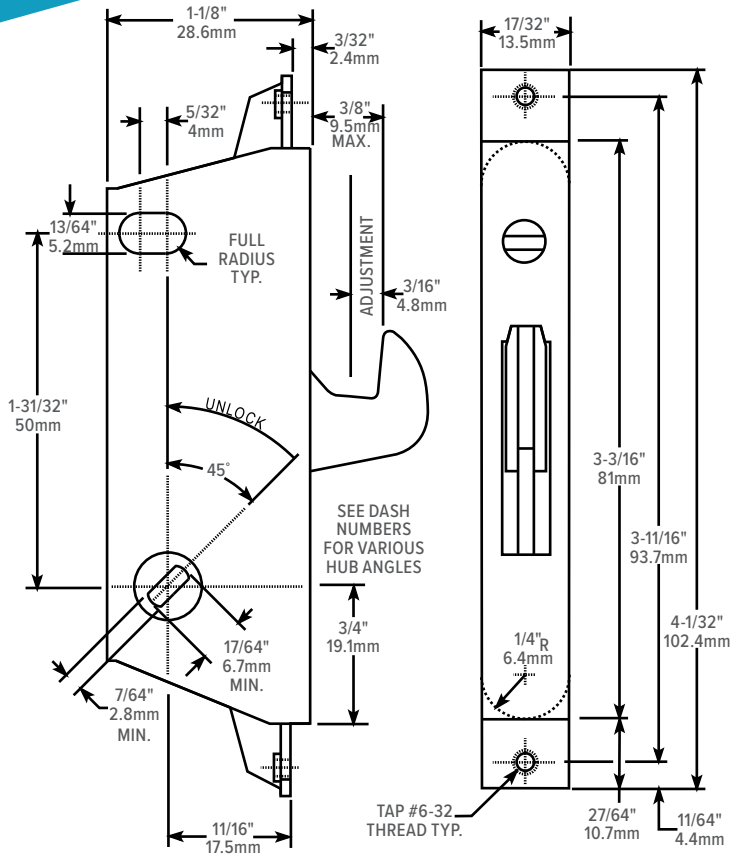
Case-packed with mounting screws. Turn and cylinder pull available separately.

Shipping weight

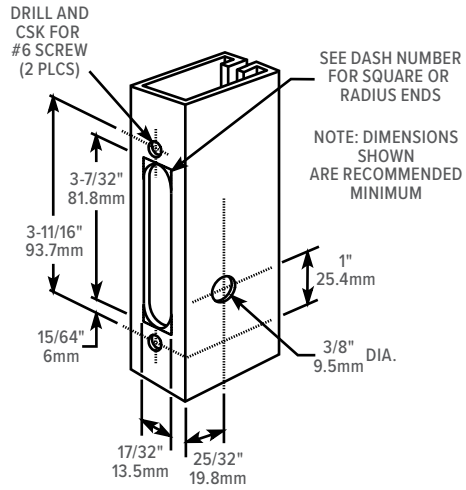
1/2 lb [0.23 kg].

All measurements are approximate and are provided for informational purposes only. Refer to the product Installation Instructions.

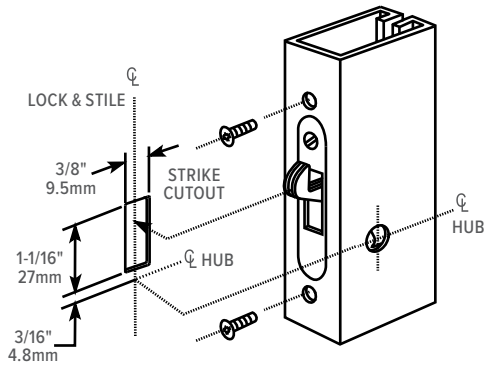
Dimensions



Stile Preparation



Installation



How to Order & Related Products

MS1847 Deadlock: Specify quantity and the following information. Order related products separately.

MODEL	FACE SHAPE, HUB ANGLE, LOCK OR LATCH	BACKSET
MS1847	-02	-630
	<p>(Blank) Lock -02 Lock -06 Lock VERT. SELF-LATCHING VERT. -13 Latch</p> <p>-09 Lock -10 Lock -11 Latch</p>	630 Satin Stainless

RELATED

When purchasing this product, please consider the following related products, available separately:

TRIM	CYLINDERS	ACCESSORIES
1000 Series Turn	4024, 4025, 4026 Cylinder Pulls	4800 Strike