



# Adams Rite Product Catalog

U.S. & Canada effective February 1, 2019

 Adams  
Rite

ASSA ABLOY

ASSA ABLOY, the global leader  
in door opening solutions

# MS1850S, MS1850S-X5X

## Series MS® Deadlocks

The **MS1850S Series MS® Deadlock** utilizes a laminated stainless steel bolt to provide maximum security for a single leaf narrow stile aluminum door. The **MS1850S-X5X Series MS® Deadlock** utilizes a laminated stainless steel hookbolt to provide maximum security for a sliding narrow stile aluminum door. Both are activated by a pivot mechanism.

### Function

A huge bolt of laminated stainless steel, nearly 3" long, activated by an uncomplicated pivot mechanism, has made the basic **MS1850S Series MS® Deadlock** the standard of the narrow stile aluminum door industry. The length of this bolt provides maximum security for a single leaf door, even a very tall and flexible one or an installation where the gap between the door and jamb is greater than it should be.

The **MS1850S-X5X Series MS® Deadlock** answers the security need of sliding narrow stile aluminum doors in commercial, industrial, and institutional buildings. The locking mechanism is identical to the MS1850S Series MS Deadlock, except that the massive laminated bolt is provided in a hook shape to resist the parting motion of sliding door and jamb. The over-center maximum security (MS) locking action assures that forced entry attempts to pry the door in any direction, up, down, or sideways will be defeated.

**Special configuration:** The **1850S-X2X Series Short Throw Deadlock** utilizes a laminated stainless steel short bolt, activated by a pivot mechanism to secure a single leaf narrow stile aluminum door.

### Operation

360° turn of key or thumbturn projects or retracts the counterbalanced bolt. Key can be removed only when bolt is in a positively locked or unlocked position. Lock accepts any standard 1" [25.4 mm] length, 1-5/32" [29.4 mm] diameter mortise cylinder with MS® cam such as the 4036 Mortise Cylinder or thumbturn such as the 4066 Thumbturn, available separately. Lock accepts cylinder from either or both sides.



MS1850S



MS1850S-X5X

MS1850S-  
X5X only

All measurements are approximate and are provided for informational purposes only. Refer to the product Installation Instructions.

## Features

### Backset

7/8" [22.2 mm], 31/32" [24.6 mm], 1-1/8" [28.6 mm], and 1-1/2" [38.1 mm]. 1850S-X2X not available with 7/8" backset.

### Case

Measures 1" x 6" x depth [25.4 mm x 152.4 mm x depth], depth varies by backset (see table on left). Steel with corrosion-resistant plating.

### Faceplate

Measures 1" x 6-7/8" [25.4 mm x 174.6 mm].

### Strike

See below for dimensions of strike slot which can be cut in metal jamb. Trim plate, box strike, and armored strike are available separately.

### Bolt

Eight-ply laminated stainless steel. Center ply has alumina-ceramic core to defeat any hacksaw attack, including rod-type "super" hacksaws.

**MS1850S:** Standard straight bolt measures 5/8" x 1-3/8" x 2-7/8" [15.9 mm x 34.9 mm x 73.0 mm] with 1-3/8" [34.9 mm] throw.

**MS1850S-X5X:** Hookbolt measures 5/8" x 1-3/8" [15.9 mm x 34.9 mm] with 13/16" [20.6 mm] throw. Hook shaped bolt repels pry bar attempts to "spread" the door from its jamb or lift it off its track.

**1850S-X2X:** Short bolt measures 5/8" x 1-3/8" x 2-3/8" [15.9 mm x 34.9 mm x 60.3 mm] with 13/16" [20.6 mm] throw.

### Standard Package

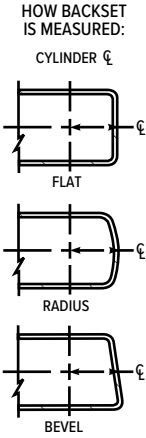
Individually boxed with faceplate and mounting screws. Strike plates, cylinders and/or thumbturns available separately.

### Shipping Weight

1-1/2 lbs [0.68 kg].

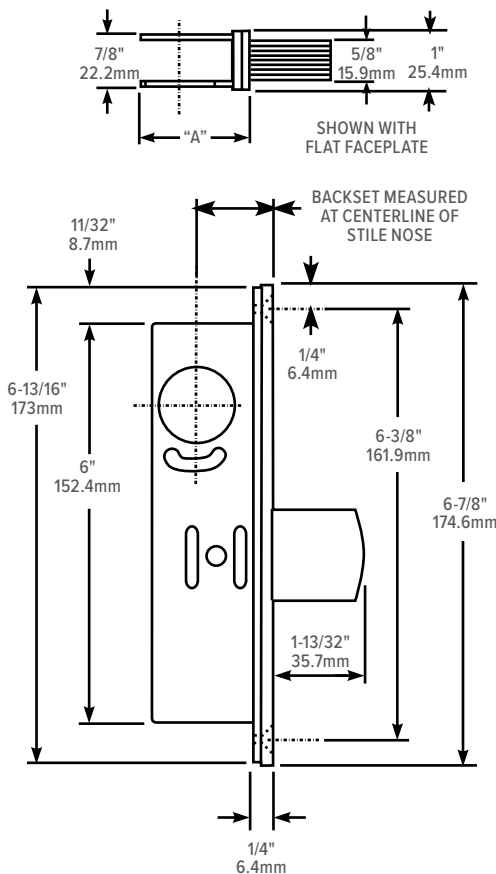
## Options

- "SCHOOLHOUSE" version, also available, is modified so that operation from inside is "unlock only". This lock is handed and must be specified LH or RH. Specify SCH1850S or SCH1850S-X5X Series. Same faceplate and backset options as MS1850S and MS1850S-X5X Series.

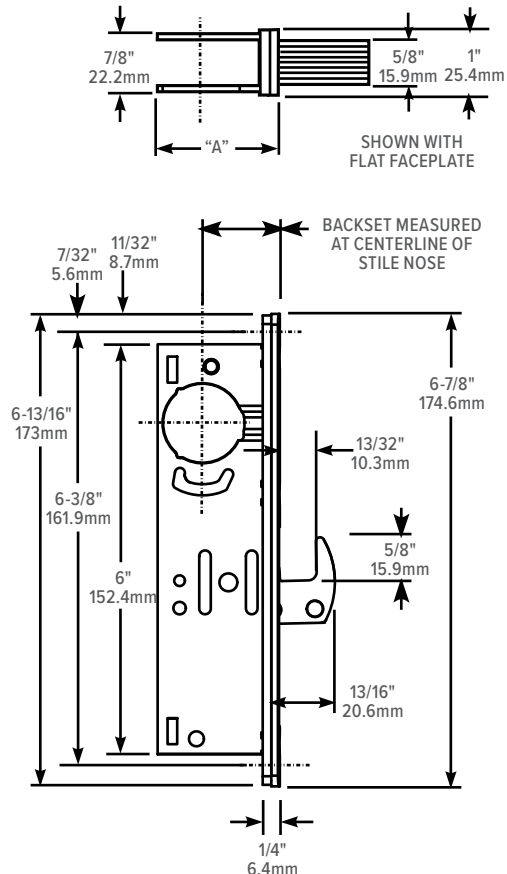


ARMORED FACEPLATE 1" X 6-7/8"	
FLAT MS1850S	
RADIUS MS1851S	
RADIUS W/ WEATHERSTRIP MS1851SW	
LH BEVEL MS1852S-X15	
RH BEVEL MS1852S-X16	
BACKSET	"A"
7/8" 22mm	1-9/16" 34.7mm
31/32" 24.6mm	1-5/8" 41.3mm
1-1/8" 28.6mm	1-25/32" 45.2mm
1-1/2" 38.1mm	2-1/4" 57.2mm

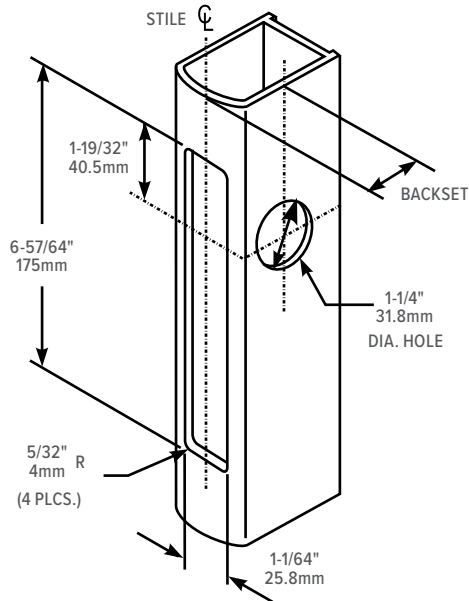
## MS1850S Dimensions



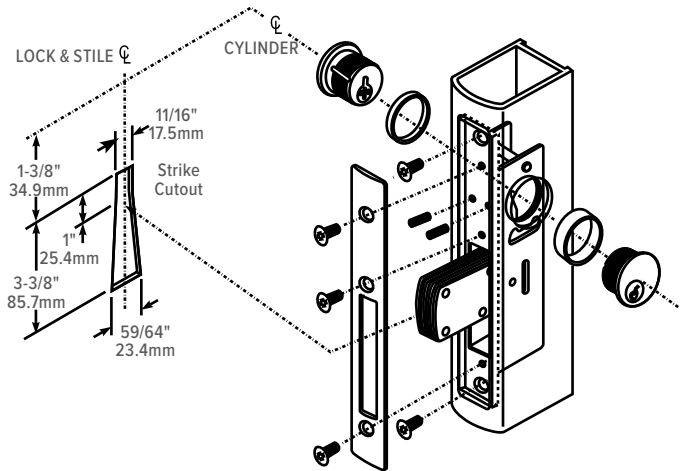
## MS1850S-X5X Dimensions



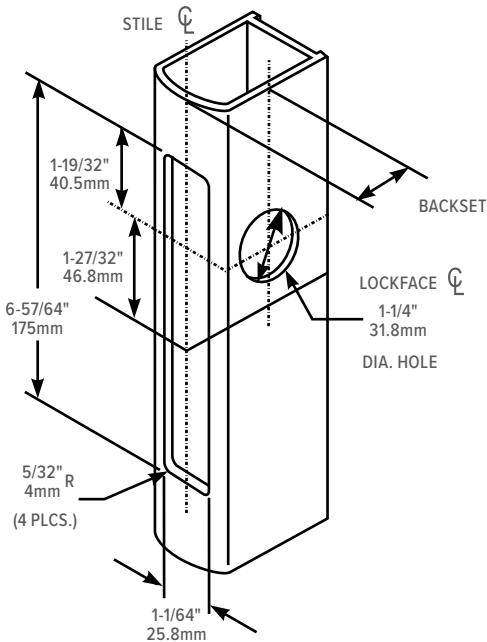
## MS1850S Stile Preparation



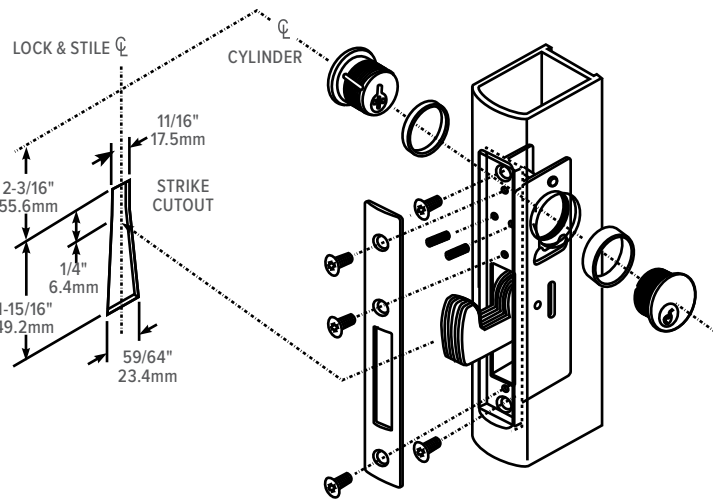
## Lock & Cylinder Installation



## MS1850S-X5X Stile Preparation



## Lock & Cylinder Installation



## How to Order & Related Products

**MS1850S, MS1850S-X5X Series MS® Deadlock:** Specify quantity and the following information. Order related products separately.

PRODUCT NO.	FACEPLATE	BACKSET	BOLT SHAPE	HANDING	FINISH
MS185	OS	-2	1	0	-628
	0S Flat	1 7/8"	1 Straight bolt	0 Non-Handed*	313 Dark Bronze Anodized
	1S Radius	2 31/32"	5 Hookbolt	5 LH or RHR	335 Black Anodized
	1SW Radius with weatherstrip	3 1-1/8"		6 RH or LHR	628 Clear Anodized
	2S Bevel	4 1-1/2"			
	3S Without faceplate, without strike plate				

\*Any flat or radius faceplate, except Schoolhouse. Select handing for bevel faceplate only.

**1850S-X2X Series Short Throw Deadlock:** Specify quantity and the following information. Order related products separately.

MODEL	FACEPLATE	BACKSET	BOLT SHAPE	HANDING	FINISH
185	OS	-2	2	0	-628
	0S Flat	2 31/32"	2 Short Throw	0 Non-Handed*	313 Dark Bronze Anodized
	1S Radius	3 1-1/8"		5 LH or RHR	335 Black Anodized
	2S Bevel	4 1-1/2"		6 RH or LHR	628 Clear Anodized
	3S Without faceplate, without strike plate				

\*Any flat or radius faceplate, except Schoolhouse. Select handing for bevel faceplate only.

### RELATED — MS1850S & MS1850S-X5X

When purchasing this product, please consider the following related products, available separately:

TRIM	CYLINDERS	ACCESSORIES	SPECIAL ORDER OPTIONS
3090-150, A100 Series Keyless Entry, 4550 Deadlock Lever	Standard 1" length, 1-5/32" diameter mortise cylinder with MS® cam such as 4036 Mortise Cylinder, 4066 Thumbturn; MS4043 Cylinder Guard	4000, 4001, MS4002 Deadlock Strikes 4015 Threshold Bolt, 4016 Header Bolt for multi-point locking. 4085 Header Bolt for pairs of doors Lock mounting accessories and options 4089 Exit Indicator	Schoolhouse function available as special order.