

Detex Corporation, 302 Detex Drive, New Braunfels, Texas 78130-3045
 (830)629-2900 / 1-800-729-3839 / Fax (830)620-6711 E-MAIL: detex@detex.com INTERNET: www.detex.com

INSTALLATION INSTRUCTIONS FOR ECL-230X & H-ECL-230X HURRICANE DEVICES

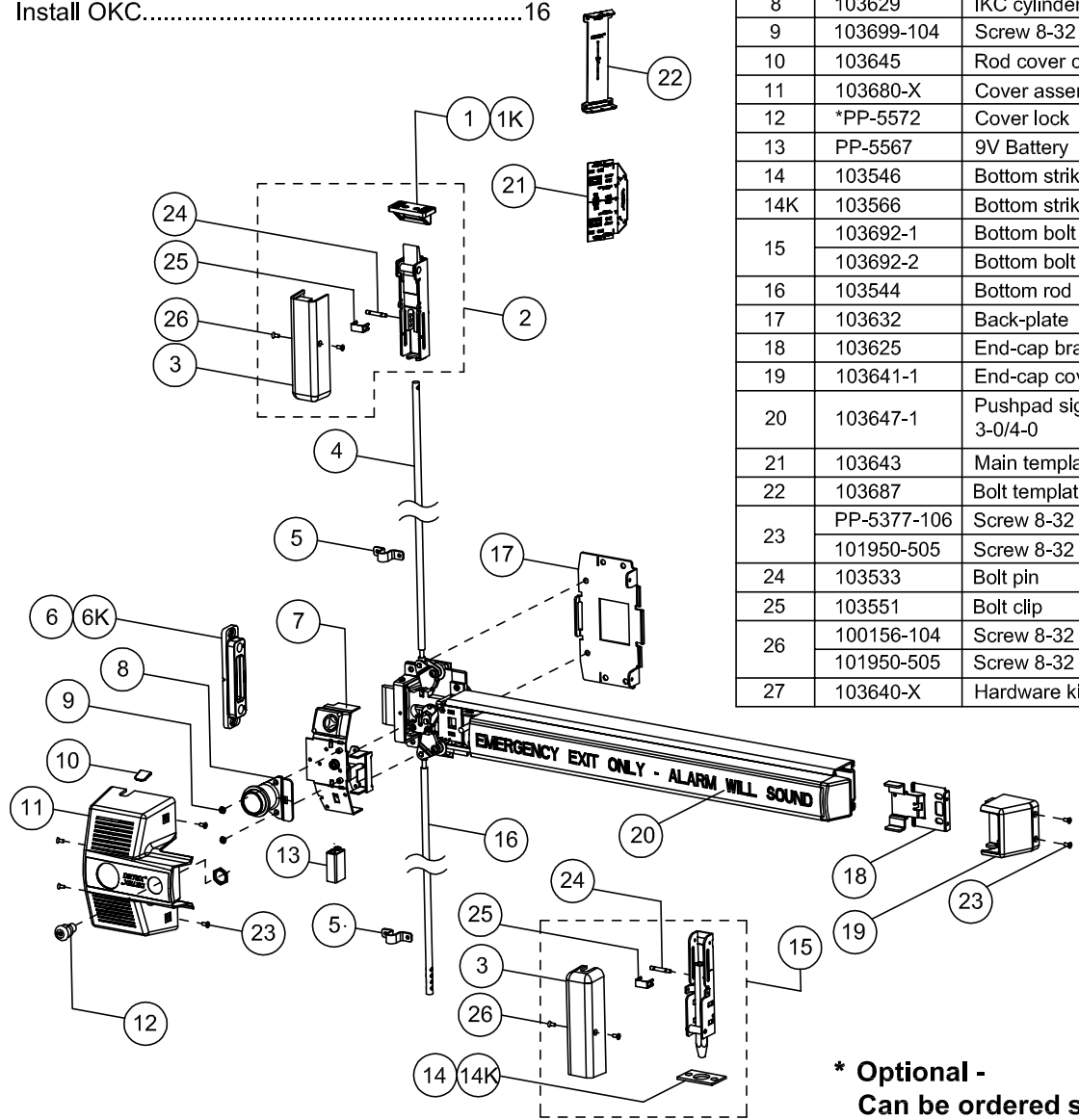
See DETEX.com website for device installation videos

Drawing: 103600

Table of Contents

Applications.....2
 Use template to locate strike and backplate.....5
 Drill strike and backplate holes.....6
 Install device.....7
 Install IKC rim cylinder.....7
 Install pushpad sign.....8
 Install main strike.....8
 2 point or 3 point installation.....9
 Install battery.....14
 Install cover.....14
 Double door strike.....15
 Install OKC.....16

Item	Part No	Description
1	103634	Top strike
1K	105139	Top strike kit
2	103693	Top bolt assembly
3	103652-1	Top/bottom cover
4	103674	Top rod (84")
	103073-2	Top rod assembly (96")
	103073-3	Top rod assembly (120")
5	104073-X	Rod guide kit
6	103614	Strike
6K	103660	Strike kit
7	103650-1	Siren bracket assembly
	103650-2	Siren bracket assembly, W
8	103629	IKC cylinder housing
9	103699-104	Screw 8-32 x 1/4 cone
10	103645	Rod cover cap
11	103680-X	Cover assembly
12	*PP-5572	Cover lock
13	PP-5567	9V Battery
14	103546	Bottom strike
14K	103566	Bottom strike kit
15	103692-1	Bottom bolt assembly
	103692-2	Bottom bolt assembly, W
16	103544	Bottom rod
17	103632	Back-plate
18	103625	End-cap bracket
19	103641-1	End-cap cover, Grey
20	103647-1	Pushpad sign, English, 3-0/4-0
21	103643	Main template
22	103687	Bolt template
23	PP-5377-106	Screw 8-32 x 3/8 FH
	101950-505	Screw 8-32 x 5/16 FH, W
24	103533	Bolt pin
25	103551	Bolt clip
26	100156-104	Screw 8-32 x 1/4 FH
	101950-505	Screw 8-32 x 5/16 FH, W
27	103640-X	Hardware kit

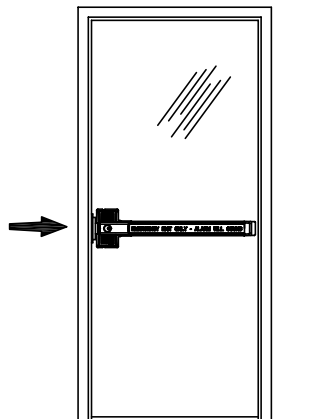


* Optional -
 Can be ordered separately

CONFIGURATIONS:

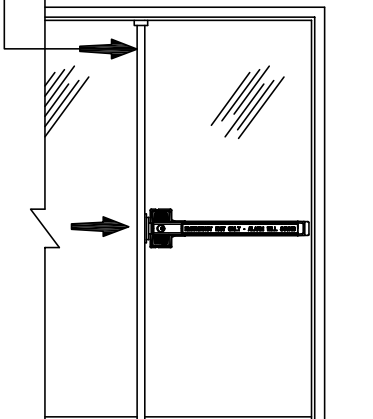
- 1. Deadbolt ONLY
- 2. TB: Top and Bottom Bolt
- 3. TD: Top Bolt and Deadbolt
- 4. TDB: Top & Bottom Bolt/Deadbolt

SINGLE point
(Deadbolt ONLY)

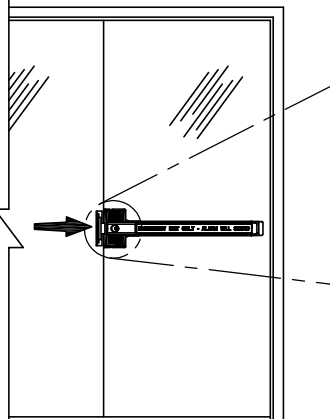


Deadbolt

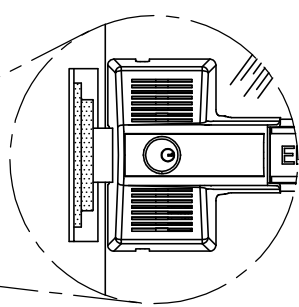
Mullions:
Key Removable - F90KR and 90KR
Removable - H90R5 (Approved for hurricane installations)



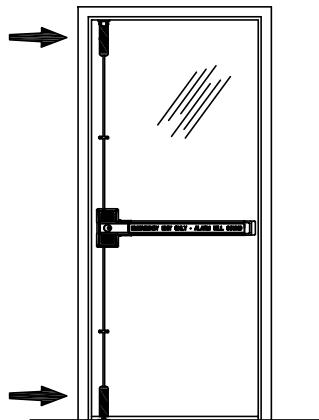
Deadbolt & Mullion



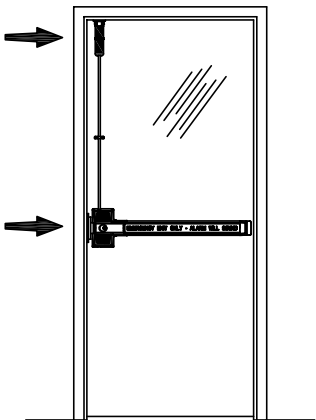
Deadbolt & Double Door
Strike Kit (p/n: DDSK)



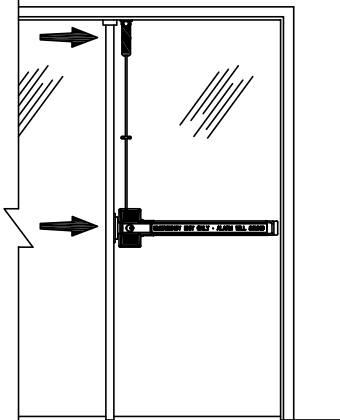
2 point
(TB and TD)



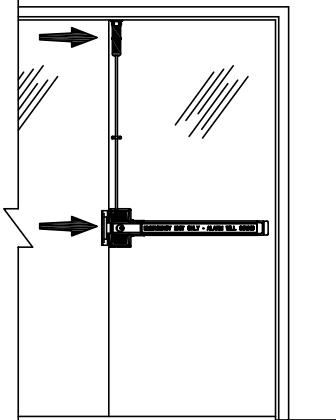
Top & Bottom Bolt



Deadbolt & Top Bolt

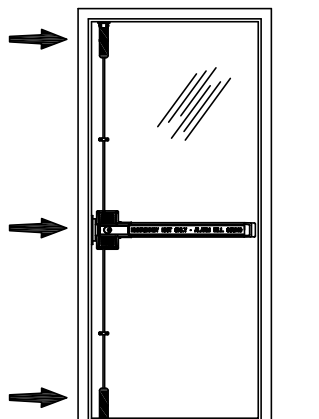


Deadbolt/Top Bolt & Mullion

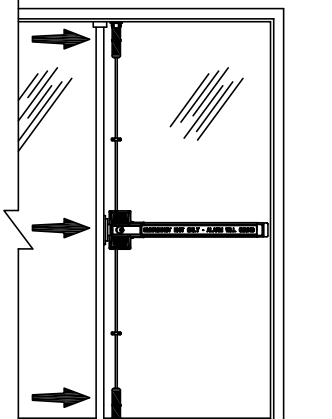


Deadbolt/Top Bolt
& Double Door
Strike Kit

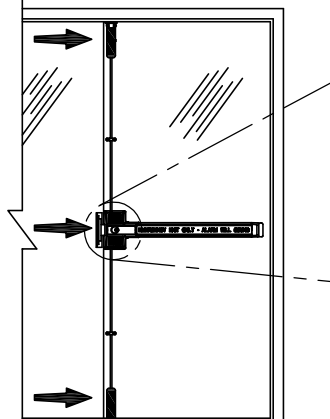
3 point
(TDB)



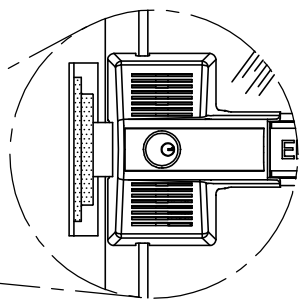
Deadbolt,
Top & Bottom Bolt



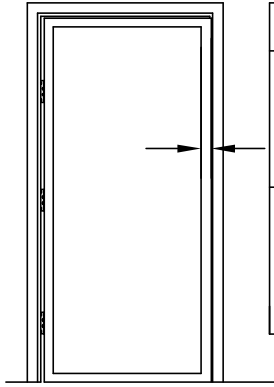
Deadbolt, Top & Bottom
Bolt, & Mullion



Deadbolt, Top & Bottom Bolt,
& Double Door Strike Kit



!!!CHECK BEFORE STARTING!!!



Wide Stile (Surface Strike)

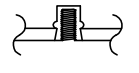
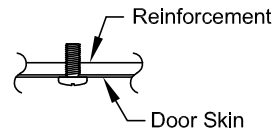
Minimum door stile 6" (152 mm)
 Template drawings provide door and frame structural and dimensional specifications for door and frame preparation.

Surface strike possible
 Mortise strike recommended

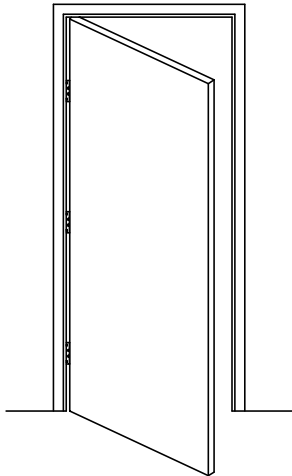
Doors and frames with walls having a structural thickness (metal skin plus reinforcement, or solid wood) to engage less than (3) full screw threads, are considered unreinforced for hardware.

Unreinforced Doors: Use Sex Nuts and Bolts
 Unreinforced Frames: Use Blind Rivet Nuts (see sketch)
 Fasteners for unreinforced openings are not supplied by Detex.

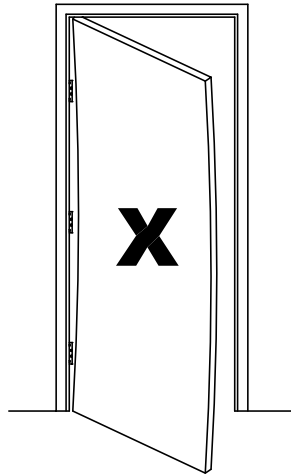
Reinforced door or frame engages at least (3) screw threads.



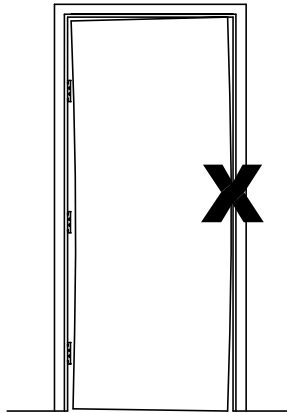
Blind Rivet Nut



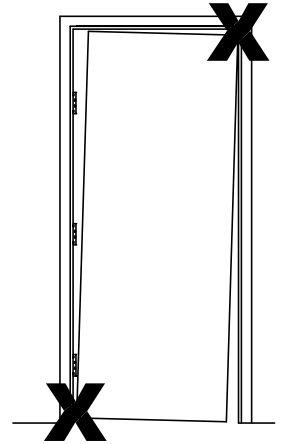
Door Must Swing Freely



Door Must Not be Warped

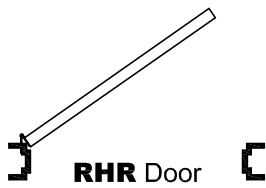


Door Must Not Bind

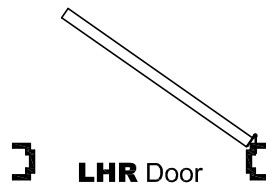


Door Must Not Sag

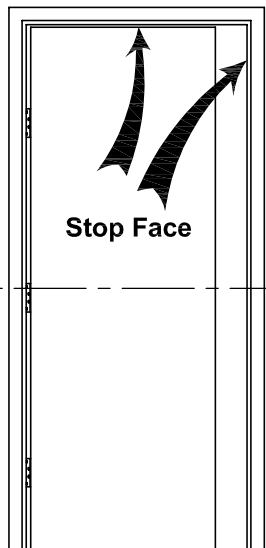
NO MODIFICATION OF ANY KIND, OTHER THAN THOSE DESCRIBED IN THESE INSTRUCTIONS ARE PERMITTED.



RHR Door



LHR Door

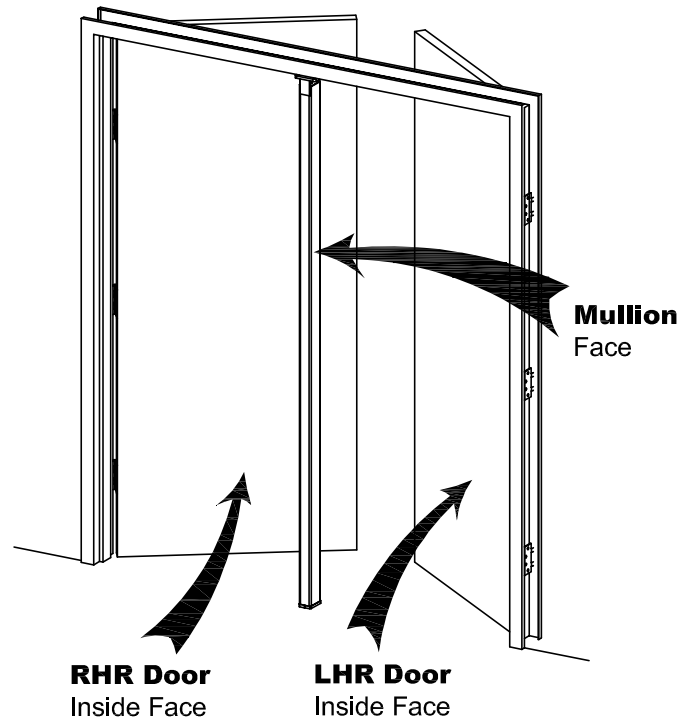


Stop Face

Horizontal Reference

40"

Finished Floor

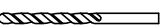
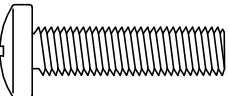
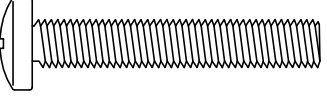
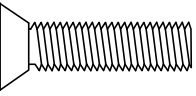
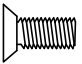


Mullion Face

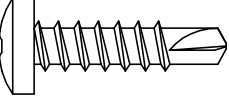
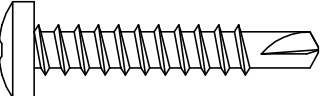
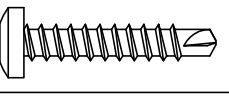

RHR Door
 Inside Face

LHR Door
 Inside Face

Hardware Table

Machine Screws		Fastener Part No	Drill Bit 
A		P/N: 100980 1/4-20 x 1" PPH	#7 or 13/64"
B		P/N: 100954 1/4-20 x 1-1/2" PPH	#7 or 13/64"
C		P/N: 102271-116 1/4-20 x 1" PFH	#7 or 13/64"
D	 P/N: PP-5377-106 8-32 x 3/8" PFH	OR P/N: 101950-505 8-32 x 5/16" PFH	-----



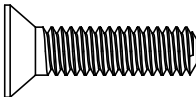
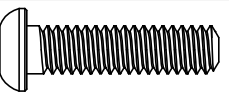
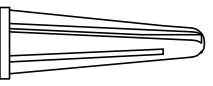
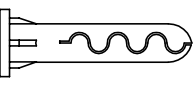

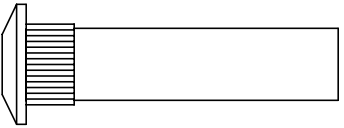
Self-drilling Screws

E		P/N: 103276-63 #14 x 1" PPH	1/8 pilot hole recommended for self-drilling screws
F		P/N: 103276-65 #14 x 1-1/2" PPH	1/8 pilot hole recommended for self-drilling screws
G		P/N: 103276-41 #10 x 1" PFH	1/16 pilot hole recommended for self-drilling screws
H		P/N: 103277-324 #14 x 1-1/2" PFH	1/8 pilot hole recommended for self-drilling screws

Socket Head Cap Screws (High strength bolts for TDB configurations)

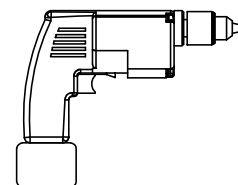
Recommend using socket head cap screws with sex nuts.

HURRICANE: Sex nuts and socket head cap screws **MUST** be used with HURRICANE devices.

I		P/N: 105773-7 1/4-20 x 1" 3/16 Socket HD	#7 or 13/64"
J		P/N: 105773-9 1/4-20 x 1-1/2" 3/16 Socket HD	#7 or 13/64"
K		P/N: 105774-5 1/4-20 x 1" 5/32 Socket HD	#7 or 13/64"
L		P/N: 105846-7 1/4-20 x 1" 5/32 Socket HD	#7 or 13/64"
		P/N: 101129-1 Anchor	1/4 pilot hole Supplied with bottom strike kit, P/N 103566
		P/N: 102642-6 Alligator Anchor	1/4 pilot hole Supplied with bottom strike kit, P/N 103566
		P/N: PP-5067-25 #14 Lockwasher	-----
		Part No: 105209 (6 ea per kit)	9/32 Interior door face 1/2 Exterior door face (With Trim)
		Sex Nut 1/4-20 SS Catalog No: SN1-630 (2 ea per kit)	9/32 Interior door face 3/8 Exterior door face (Without Trim)

Tools Required

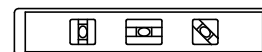
Power Drill



Safety Glasses



Level



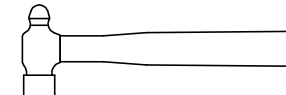
#2 and #3 Phillips Screw Driver



Pencil



Hammer



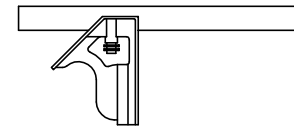
Tape Measure



Center Punch

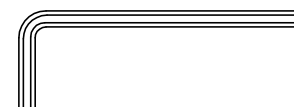


Combination Square



Allen Wrench

3/16" for "I" and "J" screws
5/32" for "K" and "L" screws



STEP 1: Use template to locate backplate and strike

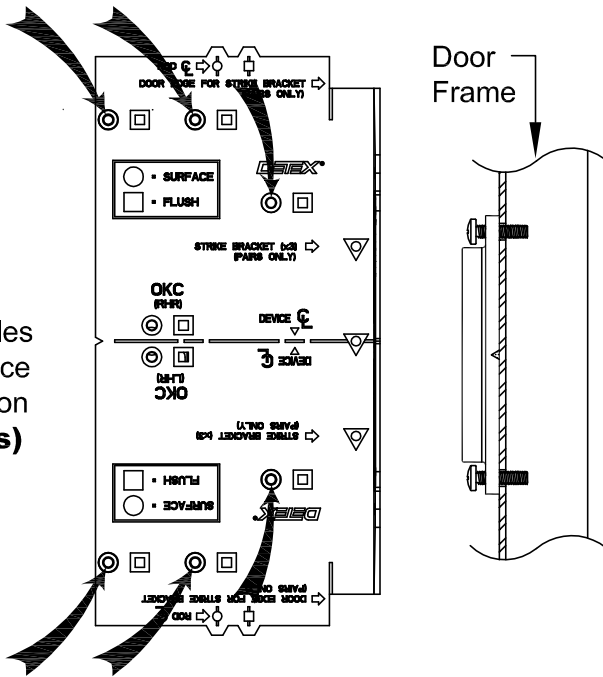
1. Use plastic template to mark/drill backplate and strike holes.
2. See text and symbols on plastic template for installation options.
3. RHR installation shown, reverse all steps for LHR
4. See page 6 for OKC (03) function.

TEMPLATE KEY	
Circle ○	= Holes for surface installation
Square □	= Holes for flush installation
Triangle △	= Holes for double door installation

SURFACE INSTALLATION

(Mark circles on template for surface) ○

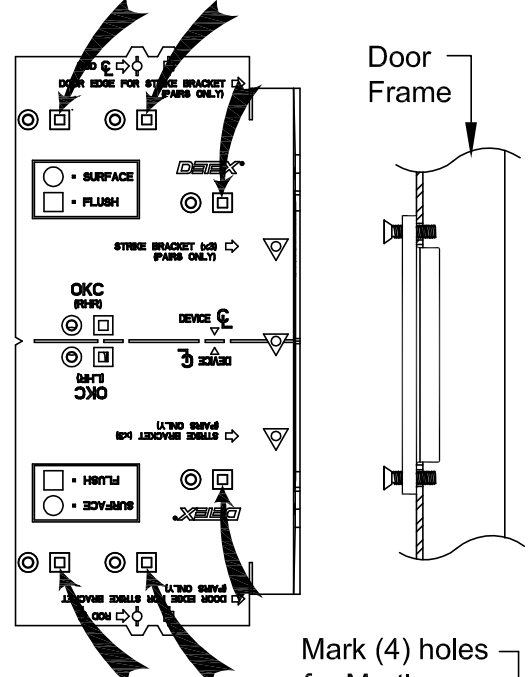
Mark holes for surface installation (circles)



FLUSH INSTALLATION

(Mark squares on template for flush) □

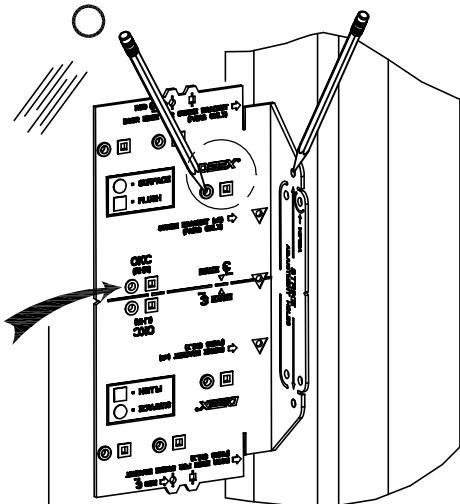
Mark holes for flush installation (squares)



Mark (4) holes for Mortise cutout

Mark (6) back-plate mounting holes (Mark circles)

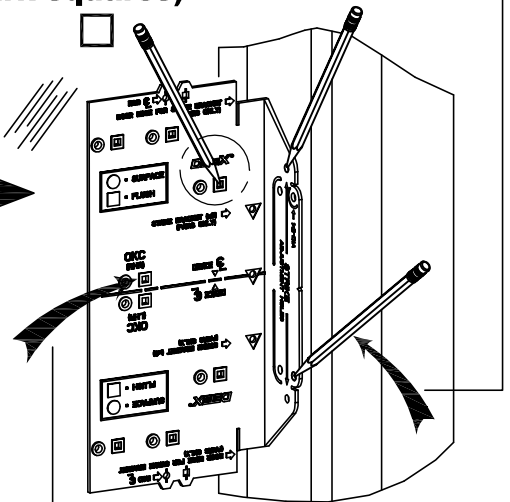
Mark (2) strike holes



For **OKC** see pages 16, 17, & 18

Mark (6) back-plate mounting holes (Mark squares)

Mark (2) strike holes



For **OKC** see pages 16, 17, & 18

Mark centerline for device 40" from finished floor

STEP 2: Drill backplate and strike holes

SURFACE INSTALLATION

BACK-PLATE HOLES

Drill #7 for 1/4-20 machine screws, 6 places ("A", "B", "I" and "J" screws)

OR

Drill 1/8 for #14 self-drilling screws, 6 places ("E" and "F" screws)

OR

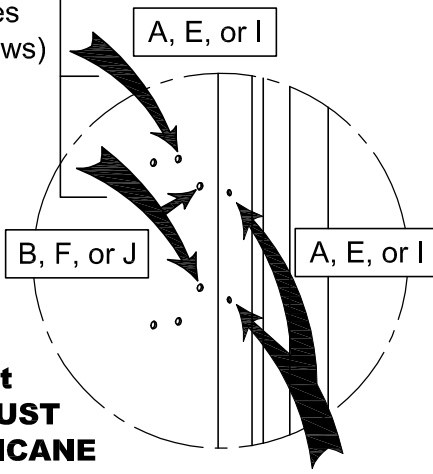
For sex nuts, see HARDWARE TABLE.

Sex nuts and socket head cap screws MUST be used with HURRICANE devices.

See OUTSIDE KEY CONTROL INSTALLATION section for transferring hole locations from DEVICE side to TRIM side.

OR

See OUTSIDE KEY CONTROL INSTALLATION for TRIM option

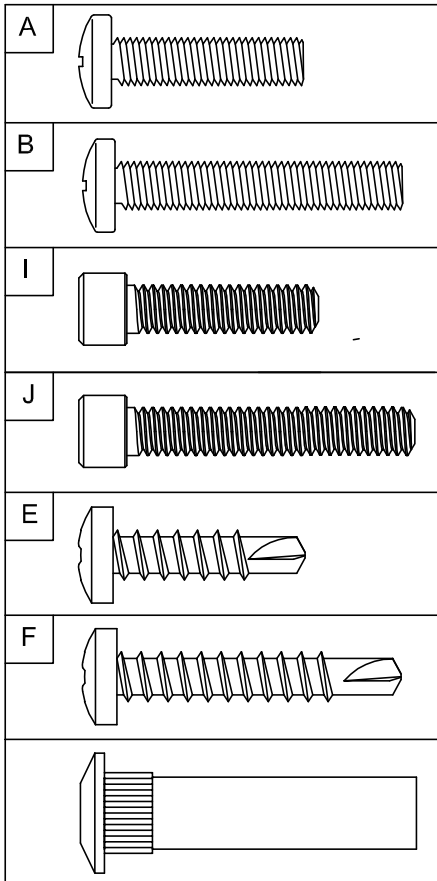


STRIKE HOLES

2 places
Drill #7 for 1/4-20 machine screws ("A" and "I" screws)

OR

Drill 1/8 for #14 self-drilling screws ("E" screws)



FLUSH INSTALLATION

BACK-PLATE HOLES

Drill #7 for 1/4-20 machine screws, 6 places ("A", "B", "I" and "J" screws)

OR

Drill 1/8 for #14 self-drilling screws, 6 places ("E" and "F" screws)

OR

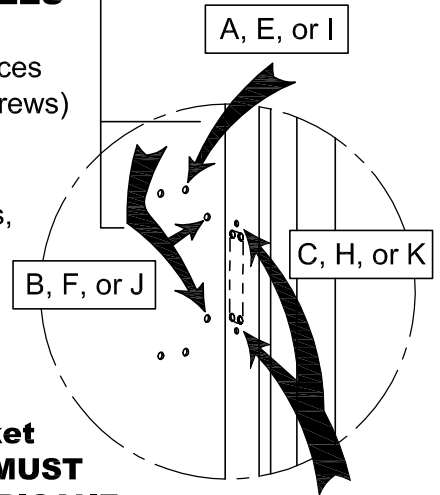
For sex nuts, see HARDWARE TABLE.

Sex nuts and socket head cap screws MUST be used with HURRICANE devices.

See OUTSIDE KEY CONTROL INSTALLATION section for transferring hole locations from DEVICE side to TRIM side.

OR

See OUTSIDE KEY CONTROL INSTALLATION for TRIM option



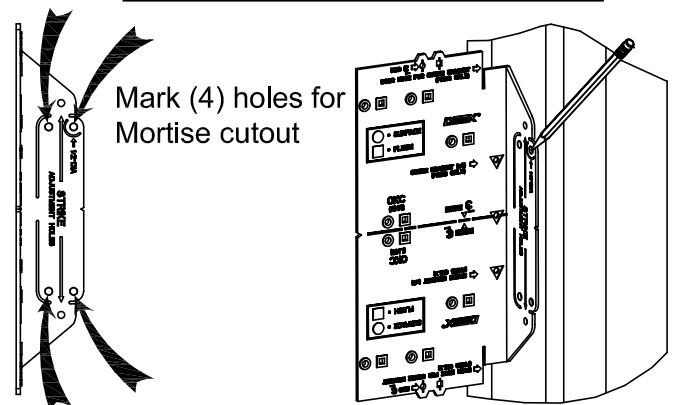
STRIKE HOLES

2 places
Drill #7 for 1/4-20 machine screws ("C" and "K" screws)

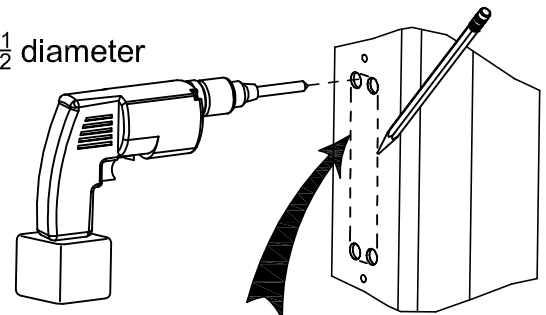
OR

Drill 1/8 for #14 self-drilling screws ("H" screws)

Remove outlined area



Drill (4) 1/2 diameter holes

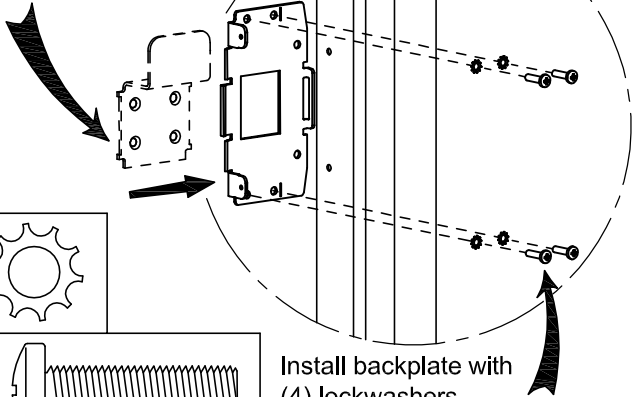


Use holes to mark (4) sides. Remove the outlined area.

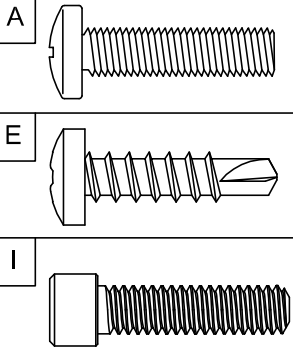
STEP 3: Install back-plate

See OKC steps, pg 16,17, & 18

See page 17 for optional inside pull



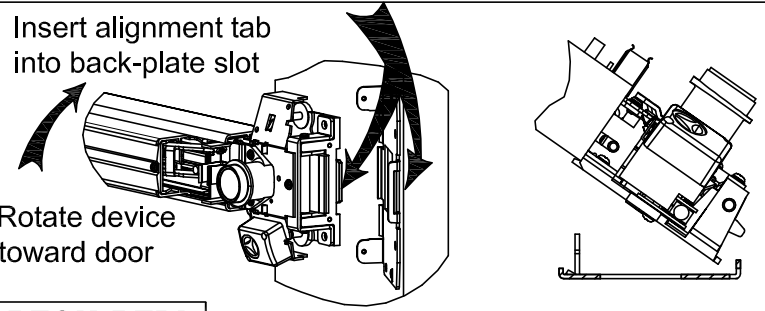
Install backplate with (4) lockwashers, (4) 1/4-20 ("A" or "I" screws) or (4) #14 self-drilling ("E" screws) **OR** (4) 1/4-20 ("I" screws) and (4) sex nuts for HURRICANE **Sex nuts and socket head cap screws MUST be used with HURRICANE devices.**



STEP 4: Install device

Insert alignment tab into back-plate slot

Rotate device toward door



REQUIRED!

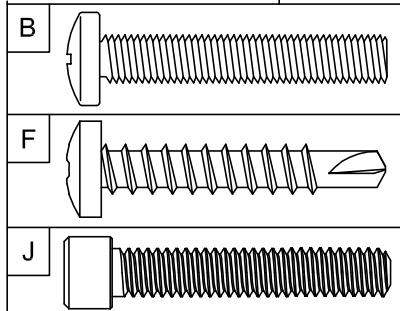
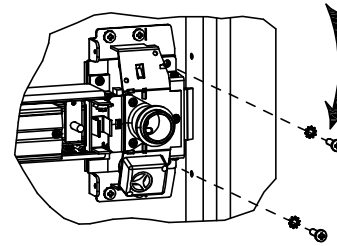
FAILURE TO INSTALL WILL VOID WARRANTY

Secure device with (2) lockwashers, (2) 1/4-20 ("B" or "J" screws) or (2) #14 self-drilling ("F" screws)

OR

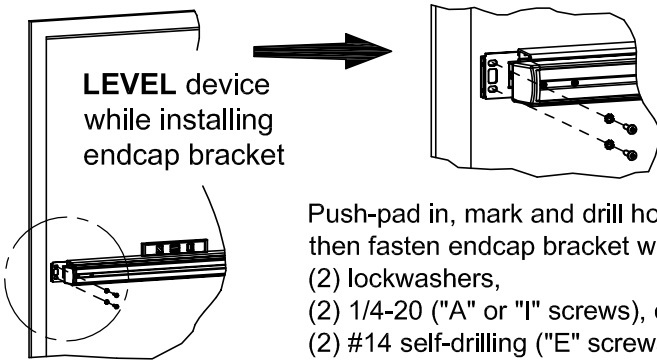
(2) 1/4-20 ("J" screws) and (2) sex nuts for HURRICANE

Sex nuts and socket head cap screws MUST be used with HURRICANE devices.



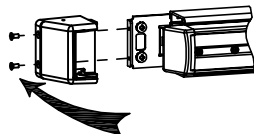
STEP 5: Install endcap

LEVEL device while installing endcap bracket

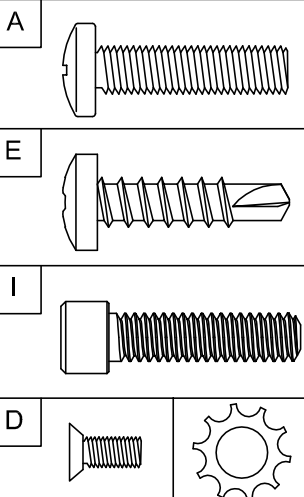


Push-pad in, mark and drill holes then fasten endcap bracket with (2) lockwashers, (2) 1/4-20 ("A" or "I" screws), or (2) #14 self-drilling ("E" screws) **OR**

For sex nuts SEE HARDWARE TABLE on page 4 **OR** (2) 1/4-20 ("I" screws) and (2) sex nuts for HURRICANE **Sex nuts and socket head cap screws MUST be used with HURRICANE devices.**



Install endcap with (2) 8-32 ("D" screws) (hand tight)

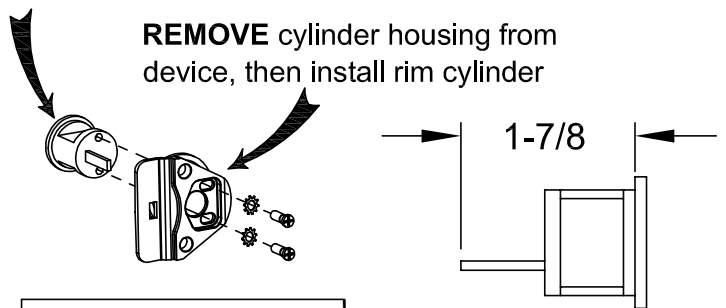


STEP 6: Install Rim Cylinder

Rim cylinder NOT included

REMOVE key before installing cylinder

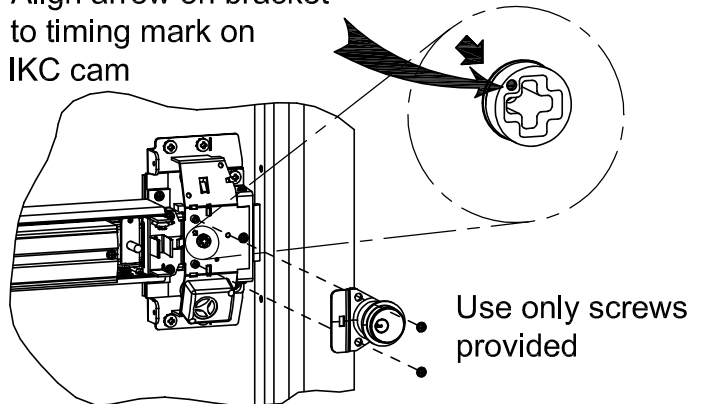
REMOVE cylinder housing from device, then install rim cylinder



REQUIRED!

DO NOT use a COLLAR

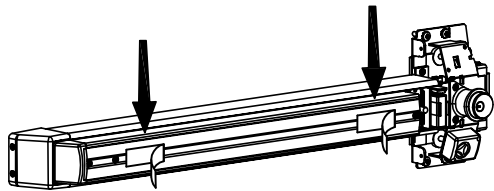
Align arrow on bracket to timing mark on IKC cam



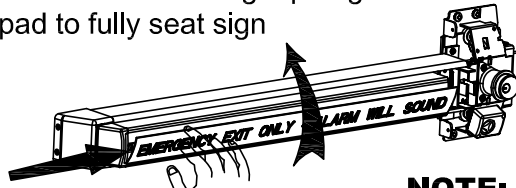
Use only screws provided

STEP 7: Install Sign

Peel and remove tape backing
BEFORE installing sign



Insert sign edge into bottom of push-pad and snap into top of push-pad. Slide hand along top edge of push-pad to fully seat sign



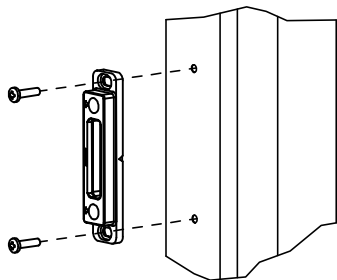
Edge of sign should be flush with edge of push-pad endcap

NOTE: A screwdriver handle, pen, or other small blunt tool can be used to snap/press the sign in.

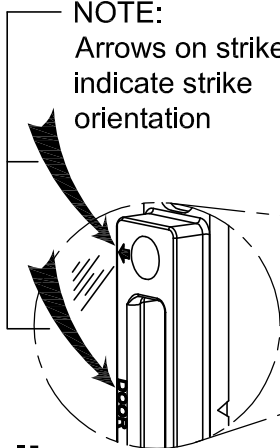
STEP 8: Install Strike

SURFACE INSTALLATION

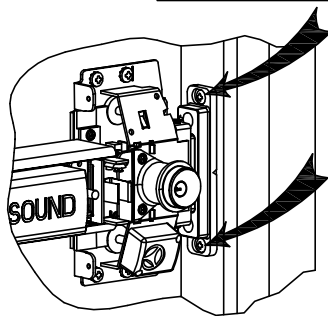
Fasten strike loosely with
(2) 1/4-20 ("A" or "I" screws) or
(2) #14 self-drilling ("E" screws)



NOTE:
Arrows on strike indicate strike orientation

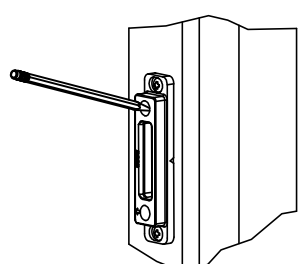


Adjust strike

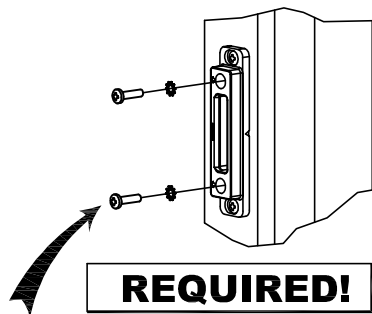


Adjust strike to desired fit.
Tighten screws.

Install remaining screws



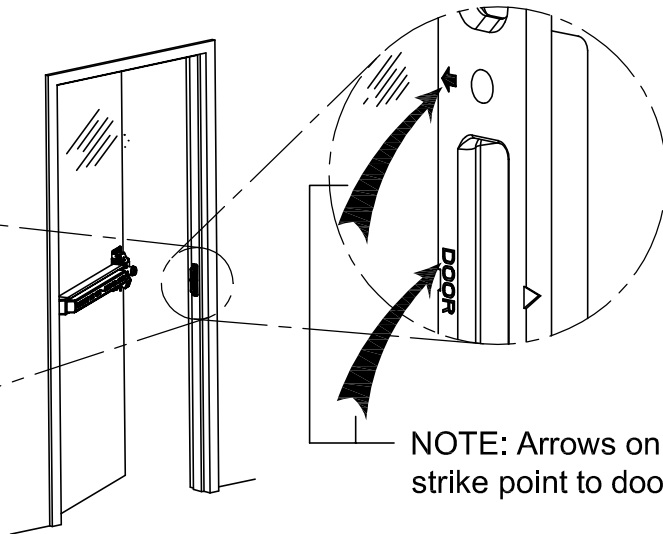
Mark (2) remaining holes



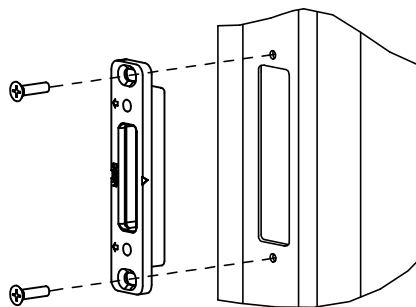
REQUIRED!

Install with (2) lockwashers,
(2) 1/4-20 ("A" or "I" screws), or
(2) #14 self-drilling ("E" screws)

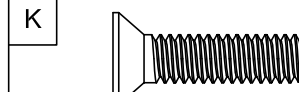
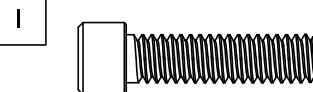
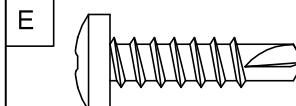
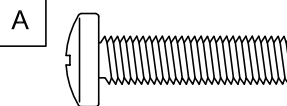
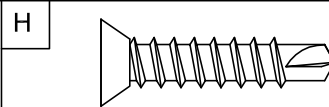
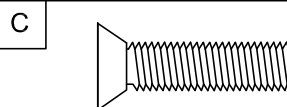
FLUSH INSTALLATION



NOTE: Arrows on strike point to door



Install strike with (2) 1/4-20 ("C" or "K" screws) or (2) #14 self-drilling ("H" screws)

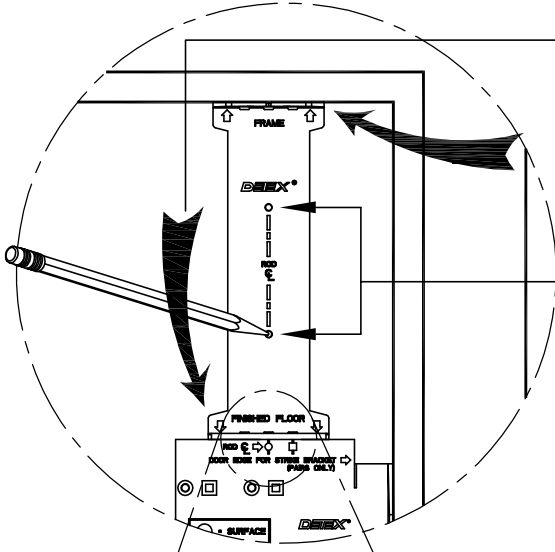


2-POINT and 3-POINT INSTALLATION (Top)

LOCATE: Top strike and top bolt

SURFACE INSTALLATION

FLUSH INSTALLATION

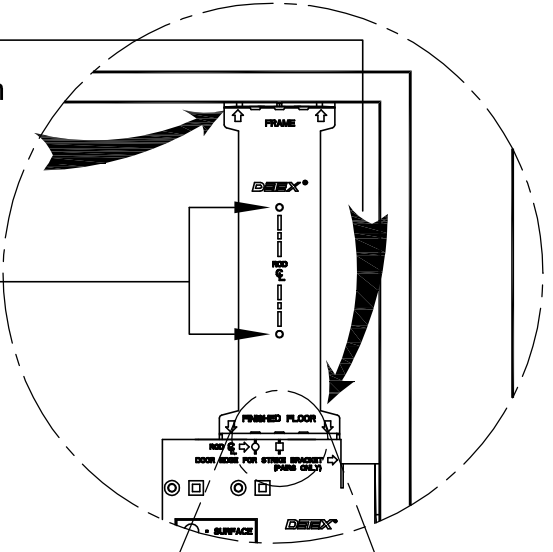


a

Place both templates on door and align them using surface or flush indicators

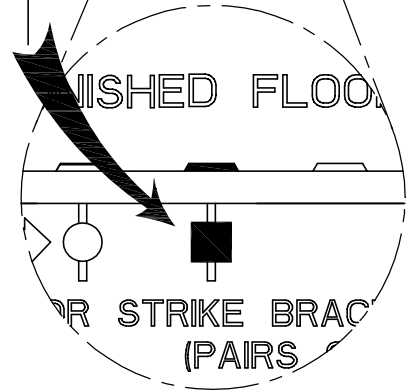
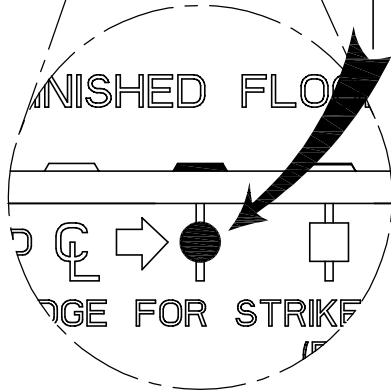
b

Mark and drill for top bolt bracket



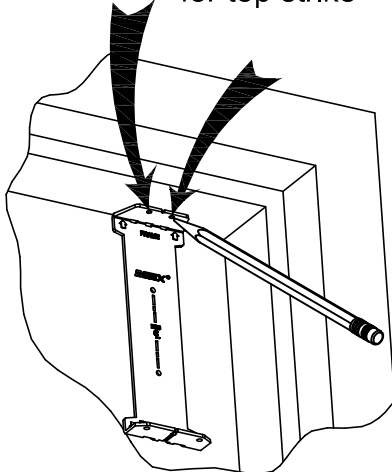
ALIGN

surface or flush indicator to centerline on top template
○ (circle for surface)
□ (square for flush)



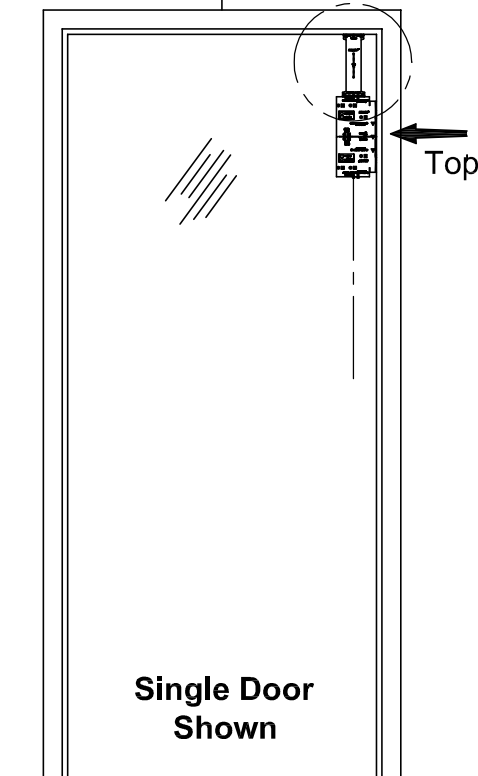
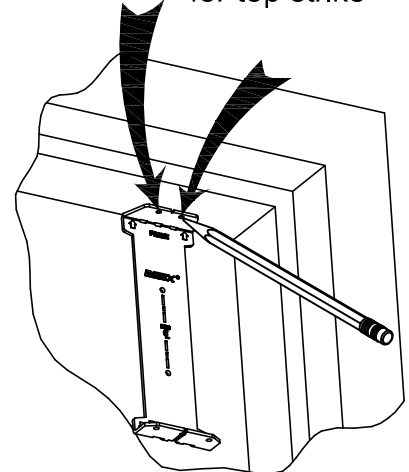
c

Mark and drill for top strike



c

Mark and drill for top strike



2-POINT and 3-POINT INSTALLATION (Bottom)

LOCATE: Bottom strike and bottom bolt

SURFACE INSTALLATION

FLUSH INSTALLATION

d

Place both templates on door and align them using surface or flush indicators

e

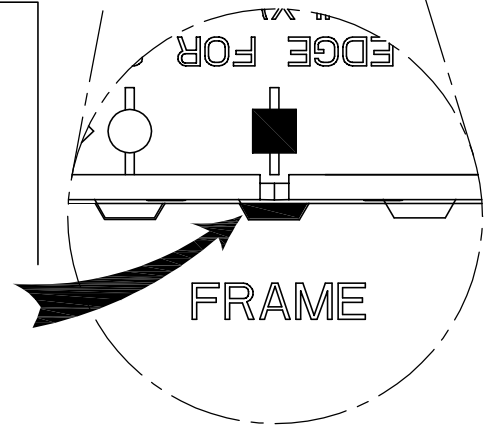
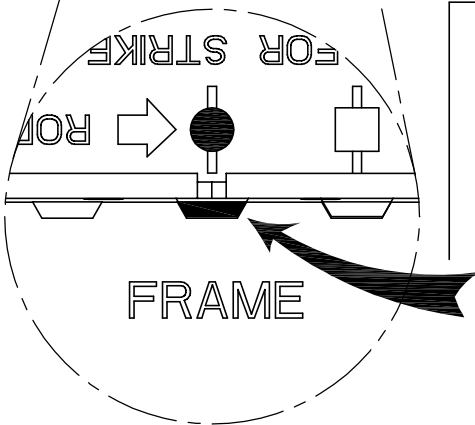
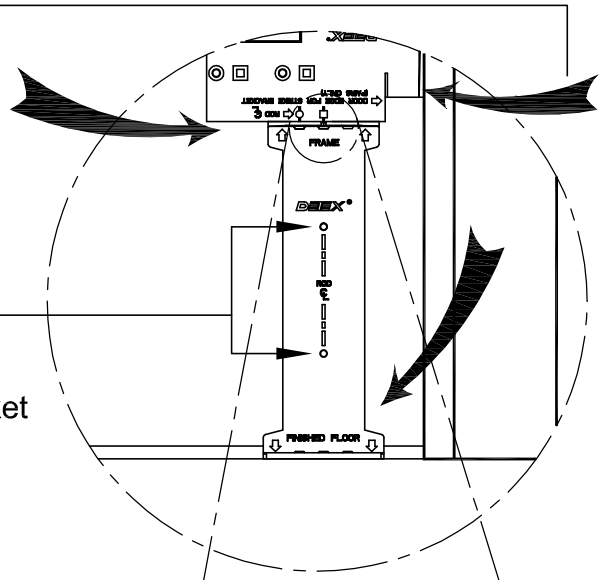
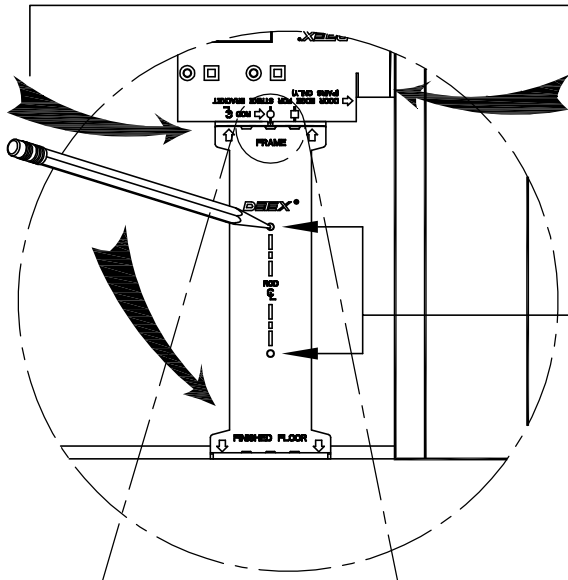
Mark and drill for bottom bolt bracket

ALIGN

surface or flush indicator to centerline on bottom template

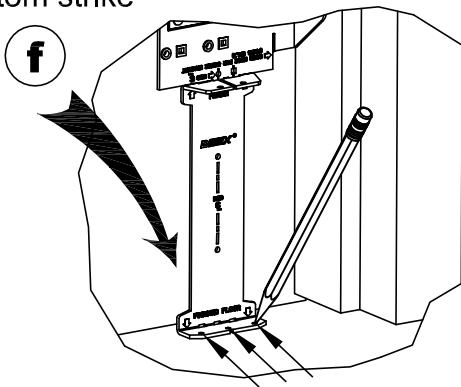
○ (circle for surface)

□ (square for flush)



Mark and drill for bottom strike

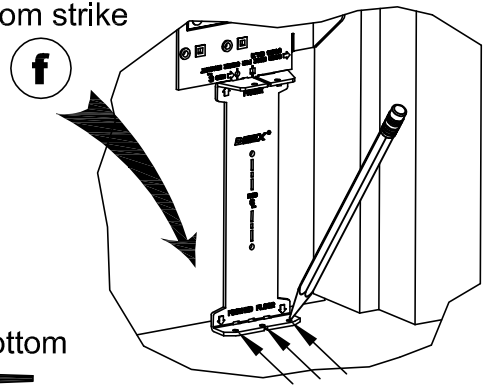
f



Single Door Shown

Mark and drill for bottom strike

f

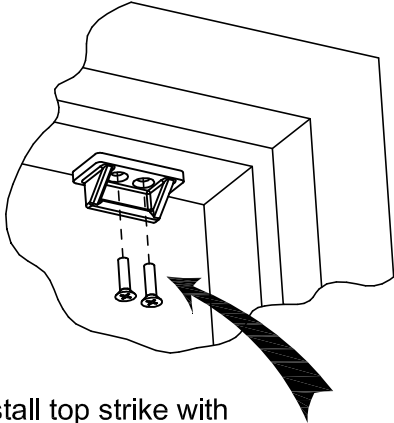


Bottom

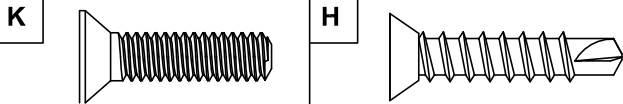
TOP STRIKE and TOP BOLT INSTALLATION

NOTE: The top bracket, top bolt and cover are shipped as a unit. Remove cover to access parts.

STEP A: Install top strike



Install top strike with
(2) #14 flat head self-drilling ("H" screws)
OR
(2) 1/4-20 flat head ("K" screws)
Socket flat head cap screws
MUST be used with HURRICANE
devices.

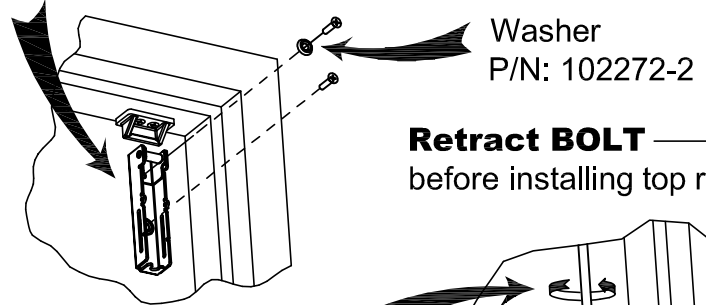


STEP B: Install top bolt

Install top bolt bracket with (2) 1/4-20 ("K" screws) or
(2) #14 self-drilling ("H" screws)

OR

(2) 1/4-20 ("K" screws) and (2) sex nuts for HURRICANE
Sex nuts and socket flat head cap screws MUST
be used with HURRICANE devices.



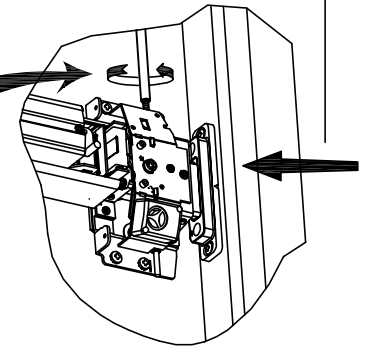
Washer
P/N: 102272-2

Retract BOLT
before installing top rod

Fasten top rod to threaded
rod, 7 full turns minimum,
then adjust as needed

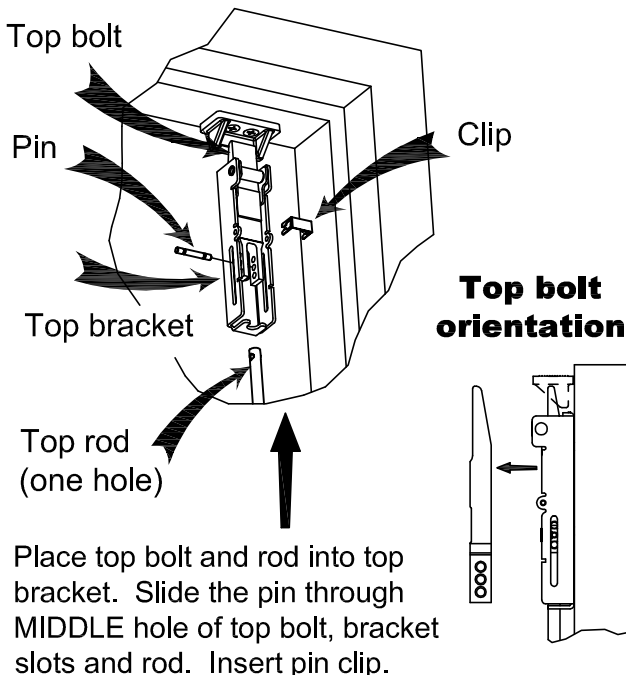
CAUTION:

With top bolt extended, end
of rod MUST protrude into
the cover. (not shown)



STEP C: Install top bolt

Install top bolt

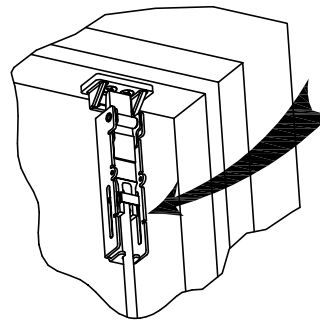


Place top bolt and rod into top
bracket. Slide the pin through
MIDDLE hole of top bolt, bracket
slots and rod. Insert pin clip.

STEP D: Top bolt adjustment

Top bolt ADJUSTMENT

(See page 20 for cutting top rod)

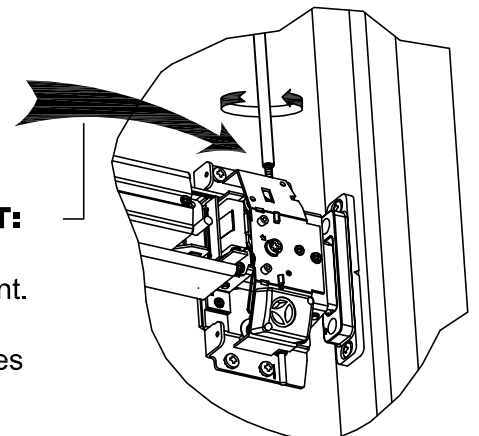


COURSE ADJUSTMENT:

Adjust strike engagement
by using different holes
in bolt.

FINE ADJUSTMENT:

Use thread on top rod
to obtain fine adjustment.
1 thread turn =
Approximate .050 inches



SEE PAGE 19 for TESTING and ADJUSTMENT

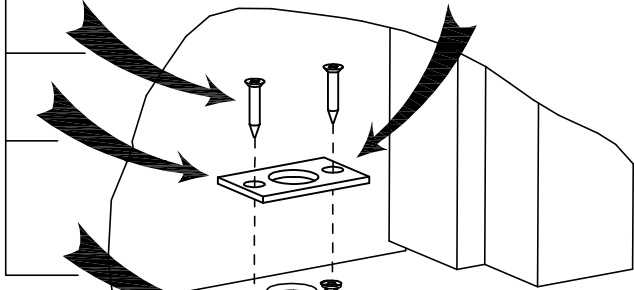
BOTTOM STRIKE and BOTTOM BOLT INSTALLATION

NOTE: The bottom bracket, bottom bolt and cover are shipped as a unit. Remove cover to access parts.

STEP E: Install bottom strike

Can be ordered as kit: P/N 103566

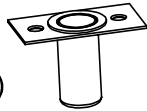
Bottom strike
P/N 103546



Anchors:
(supplied with strike)
Drill 1/4" hole for plastic anchors

1" hole for strike
(min depth - 3/4")

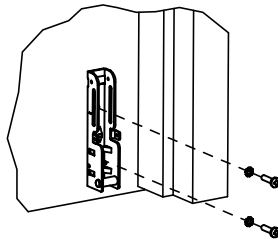
Dustproof Strike Kit
Part No: 101562-X
(Optional - Can be ordered separately)



STEP F: Install bottom bolt



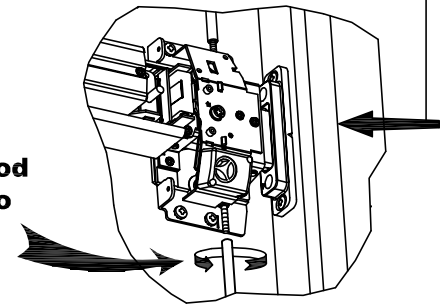
Install bottom bolt bracket with
(2) lockwashers,
(2) 1/4-20 ("L" screws) or
(2) #14 self-drilling ("E" screws)
OR
(2) 1/4-20 ("L" screws) and
(2) sex nuts for HURRICANE
**Sex nuts and socket pan head
screws MUST be used with
HURRICANE devices.**



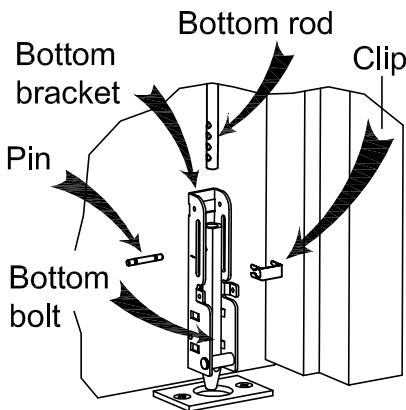
Fasten bottom rod to
threaded rod, 7 full
turns minimum, then
adjust as needed.

CAUTION:
**With bottom bolt
extended, end of rod
MUST protrude into
the cover.
(not shown)**

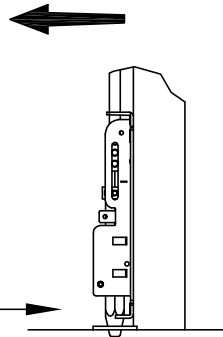
Retract BOLT before
installing bottom rod



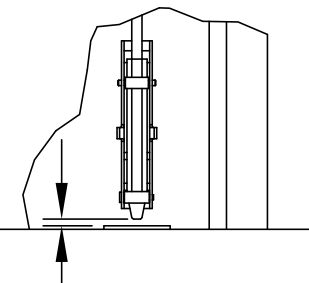
STEP G: Install bottom bolt



Place bottom bolt
and rod into bracket.
Slide the pin through
bracket slots, bolt,
and rod hole.
Insert pin clip.



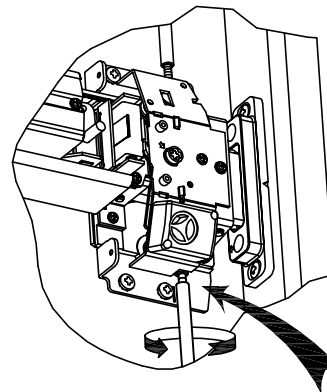
Only conical portion
of BOLT should
protrude into strike



1/16 to 1/8 minimum clearance
between bolt and strike with BOLT RETRACTED

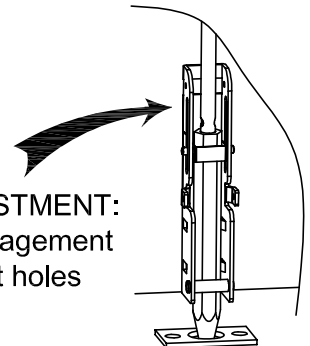
STEP H: Bottom Bolt Adjustment

Bottom bolt ADJUSTMENT



FINE ADJUSTMENT:
Use thread on bottom rod
to obtain fine adjustment.
1 thread turn =
Approximate .050 inches

COURSE ADJUSTMENT:
Adjust strike engagement
by using different holes
in rod.



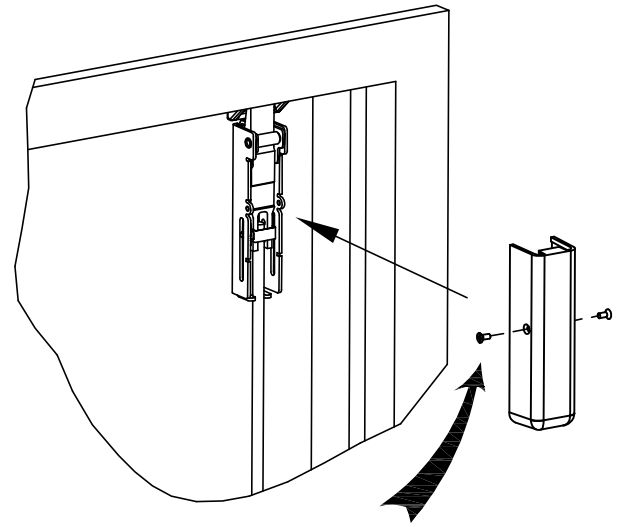
SEE PAGE 19 for TESTING and ADJUSTMENT

TOP and BOTTOM COVER INSTALLATION

STEP I: Install top or bottom covers; Install rod guides

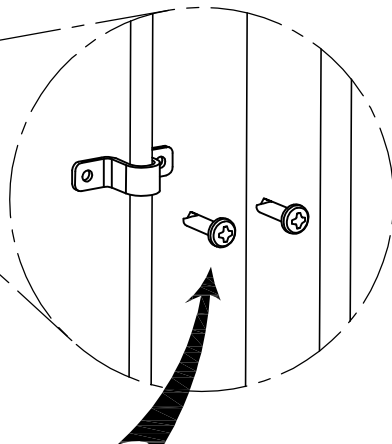
NOTE:

1. If metal bottom bolt guard is to be used, do not attach the plastic bottom bolt cover (refer to bottom bolt guard installation instructions.)
2. If rod covers are to be used, do not install rod guides (refer to rod cover installation instructions).

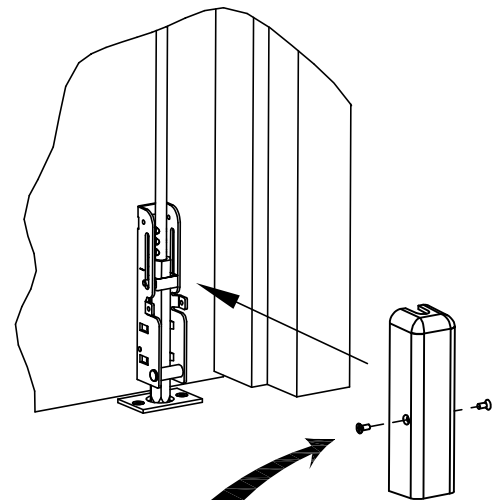
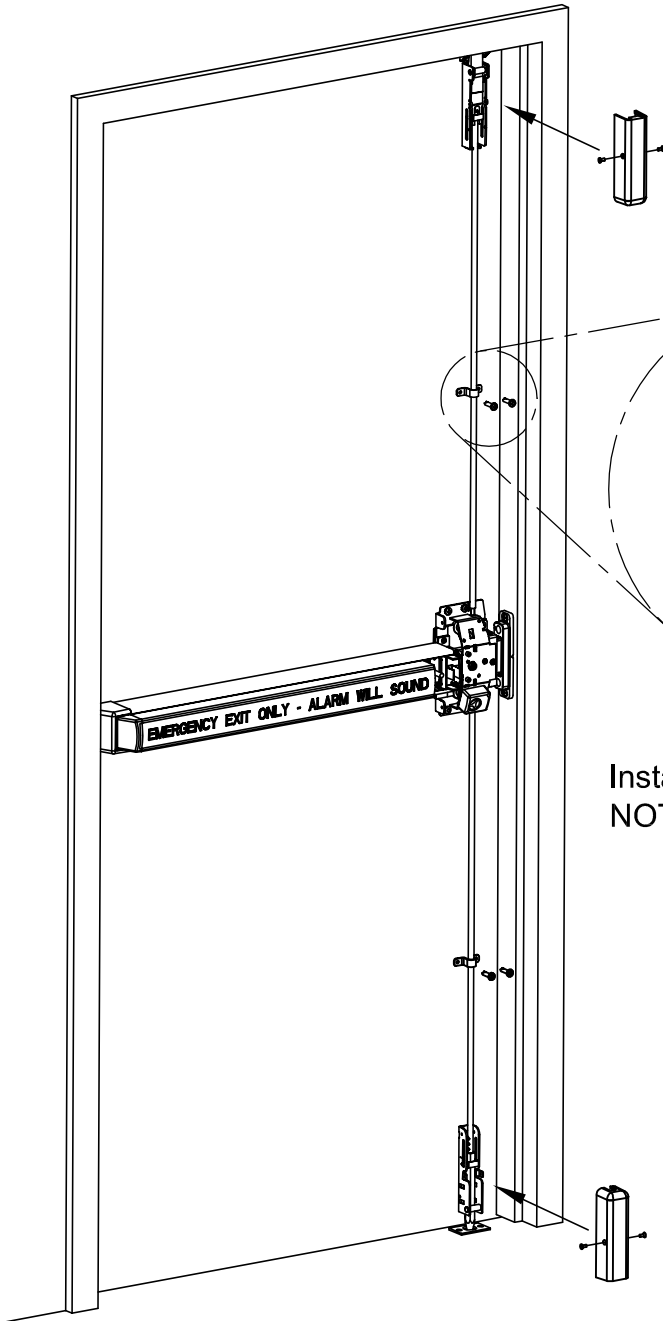


Install top cover with screws provided

Space 1 rod guide equal distance between centercase and bolt assemblies (7 foot and 8 foot doors). Use 2 rod guides spaced evenly on the top rod of 10 foot doors.

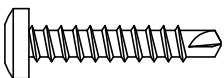


Install with (2) #10 self-drilling ("G" screws)
NOTE: 1/16 pilot hole recommended

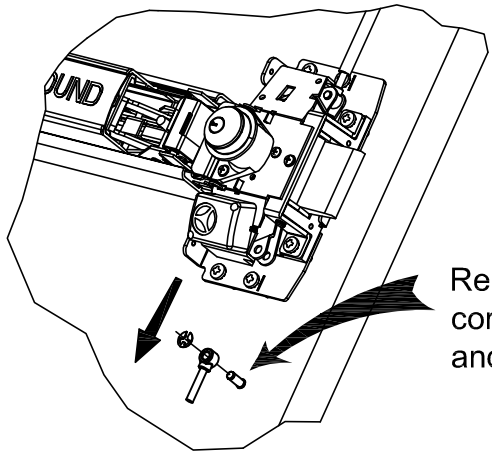


Install bottom cover with screws provided

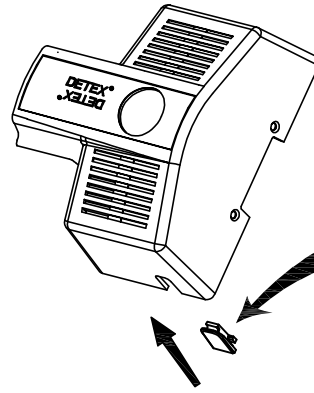
G



DEADBOLT AND TOP BOLT INSTALLATION (TD)



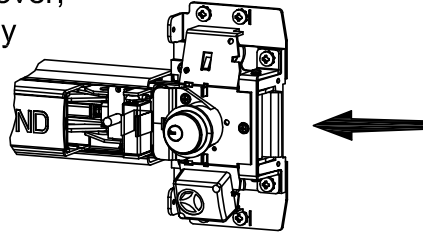
Remove bottom rod, connector, pin, and e-clip



Tap the Rod Cover Cap into place

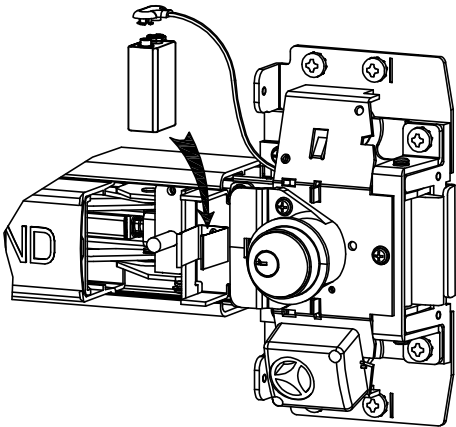
STEP 9: Install Battery and Cover

Before installing cover, retract bolt with key

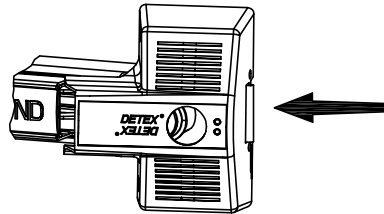


Before installing battery, RETRACT bolt with key

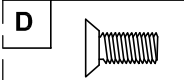
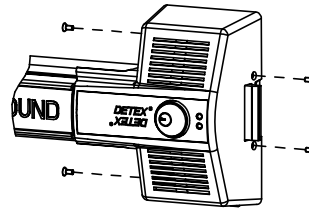
Connect 9V battery



Rotate slightly over retracted bolt while installing cover

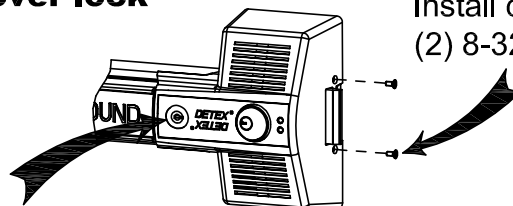
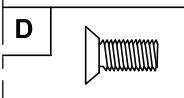


Install cover with (4) 8-32 ("D" screws)



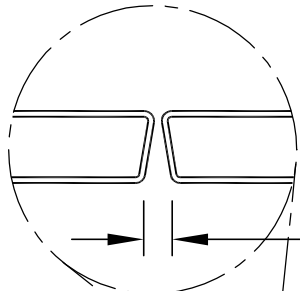
OPTIONAL cover lock

Install cover with (2) 8-32 ("D" screws)



Optional cover lock: (If ordered)
Turn cover lock key 4 to 5 turns (CW) to fasten cover

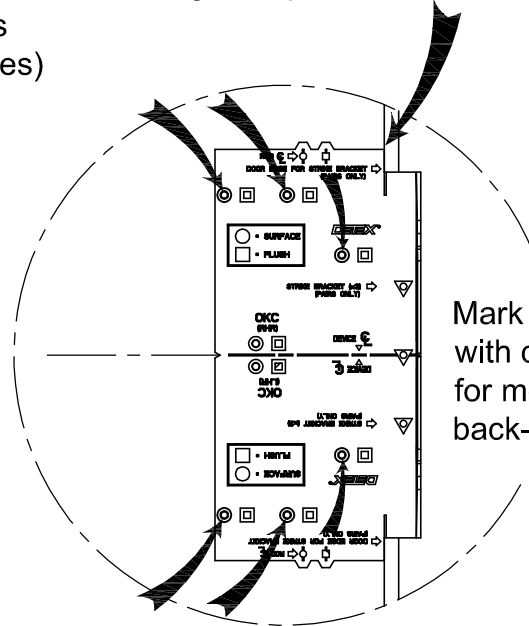
DOUBLE DOOR INSTALLATION



If gap is larger than 3/8, use flush holes on template (squares)

Active Leaf:

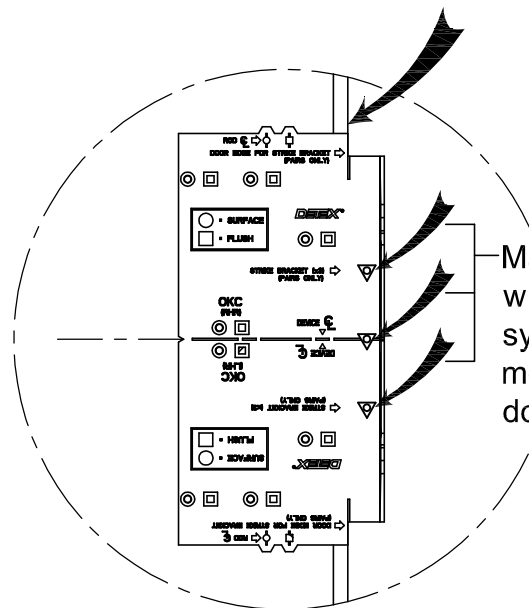
Align template with door edge



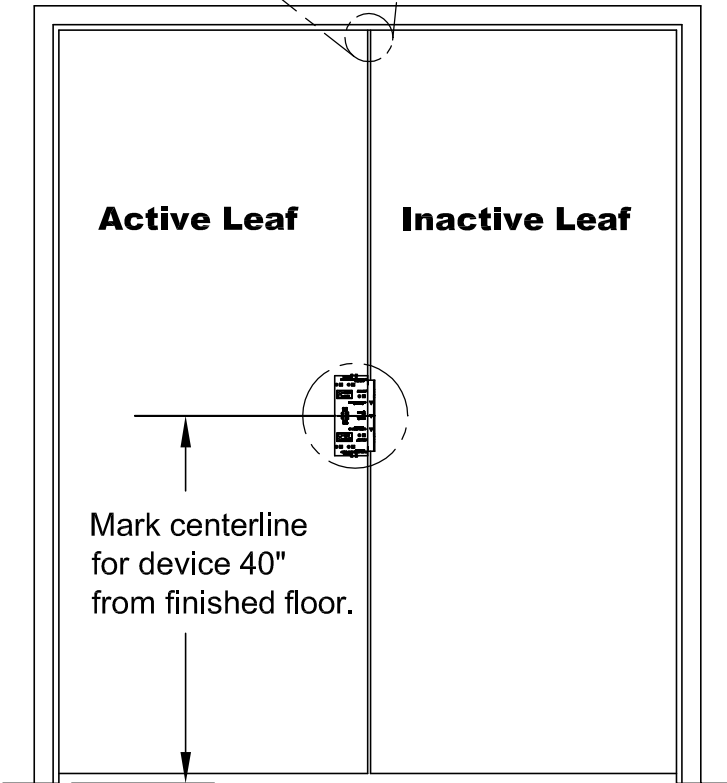
Mark (6) holes with circled symbols for mounting back-plate

Inactive Leaf:

Align template with door edge



Mark (3) holes with triangular symbols for mounting double door bracket

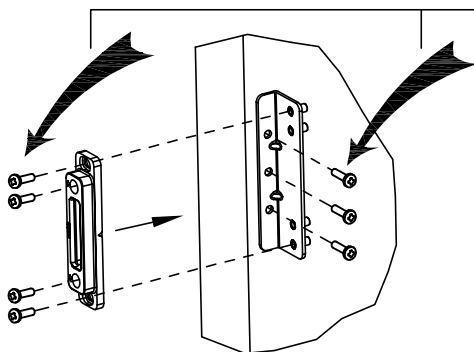


Active Leaf

Inactive Leaf

Mark centerline for device 40" from finished floor.

Double Door Bracket INSTALLATION



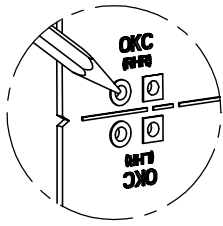
Use screws from double door strike kit for installing strike and bracket

OPTIONAL:
Double door strike bracket
 P/N: 103690

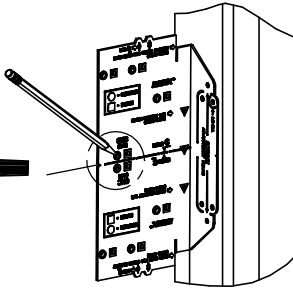
Outside Key Control Installation, if required

SURFACE INSTALLATION

(Mark circle) ○

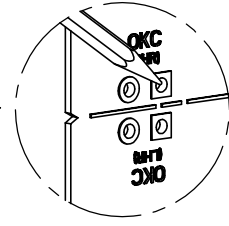


DEVICE SIDE



FLUSH INSTALLATION

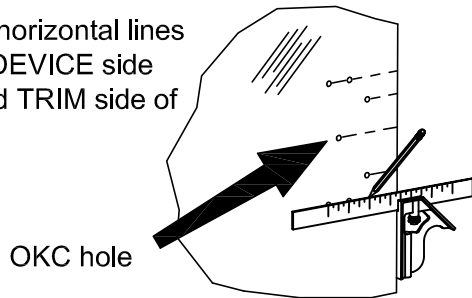
(Mark square) □



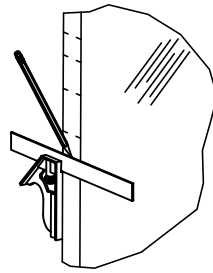
Align template with device centerline and mark/drill appropriate OKC hole through door (RHR Shown)

Transfer hole locations from DEVICE side to TRIM side

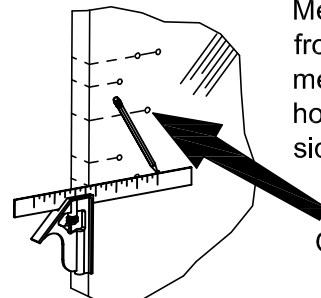
Draw horizontal lines from DEVICE side toward TRIM side of door



OKC hole



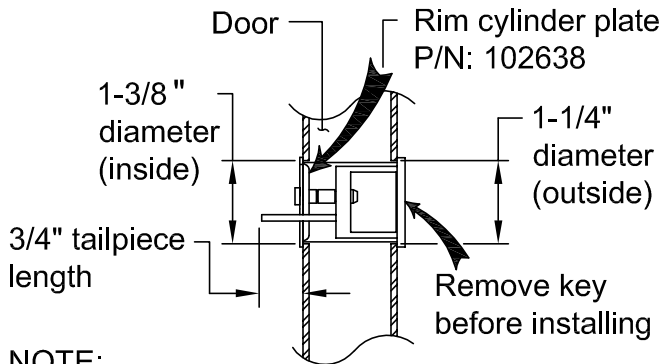
Measure hole locations from DEVICE side and measure/mark same hole locations on TRIM side of door



OKC hole

See pg 18 for outside Trim TEMPLATE

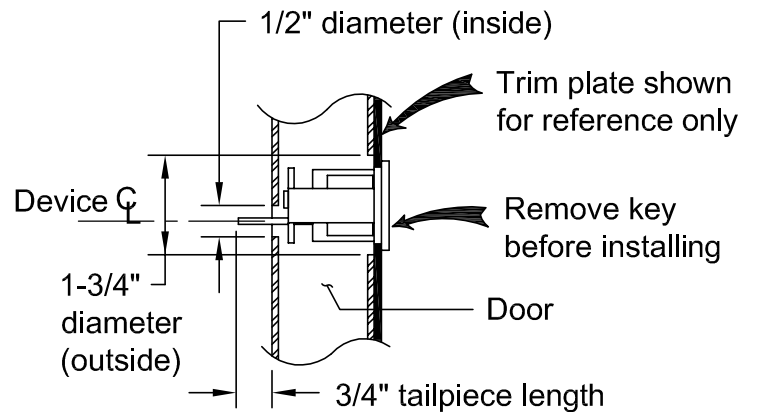
OKC option shown



NOTE:

1. Rim Cylinder not included
2. Collar available: P/N: ECL-1595

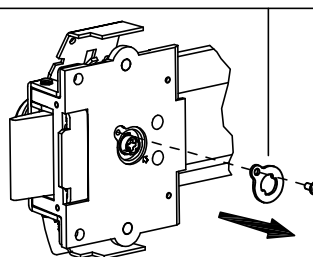
TRIM PLATE option shown



Remove OKC lockplate on device

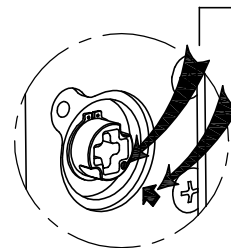
REQUIRED!

Remove screw and lockplate on back of center-case for OKC



REQUIRED!

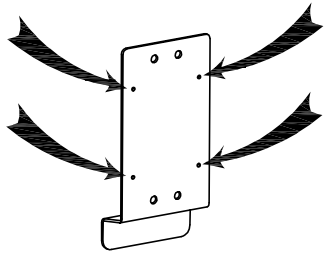
Align arrow on lockbody to timing mark on OKC cam



PULL PLATE and TRIM PLATE

OUTSIDE Pull installation

(Recommended for optimum security, not required)



Drill (2) holes for LHR or RHR

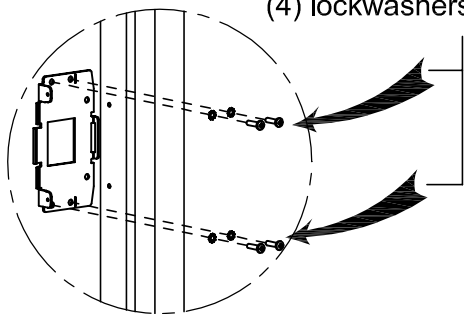
Sex Nut

- Optional: Can be ordered separately
- Recommended on Fire Rated Wood and Unreinforced Hollow Metal Doors

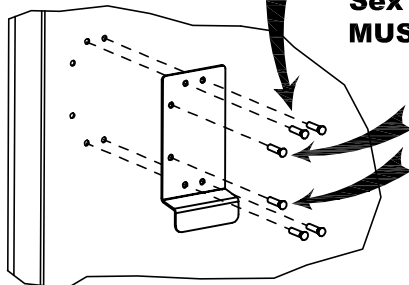
Part No: 105209
(6 ea per kit)

9/32 Interior door face
1/2 Exterior door face
(With Trim)

Install backplate to PULL PLATE with (4) 1/4-20 ("A" screws) and (4) lockwashers



Install PULL PLATE to backplate with (4) 1/4-20 ("A" screws) and (4) sex nuts **OR** (4) 1/4-20 ("I" screws) and (4) sex nuts for HURRICANE

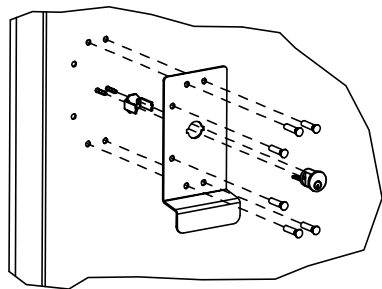


Sex nuts and socket head cap screws MUST be used with HURRICANE devices.

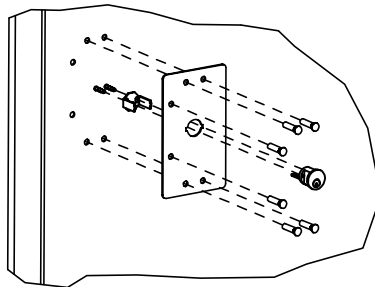
Secure PULL PLATE to device with (2) 1/4-20 ("B" screws) and (2) sex nuts **OR**

(2) 1/4-20 ("J" screws) and (2) sex nuts for HURRICANE **Sex nuts and socket head cap screws MUST be used with HURRICANE devices.**

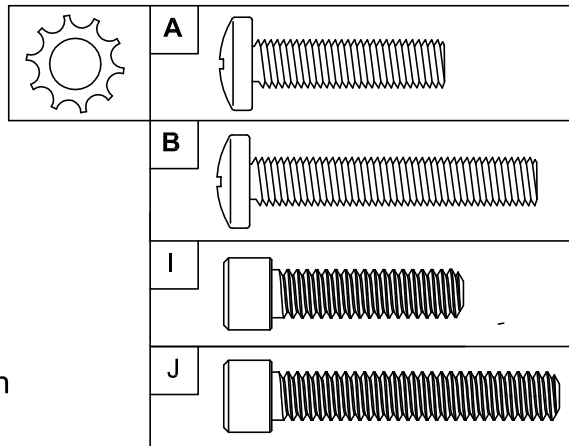
Sex nuts recommended for optimum security



PULL PLATE shown with cylinder option
NOTE: Use collar where needed.

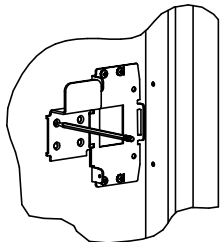


TRIM PLATE shown with cylinder option

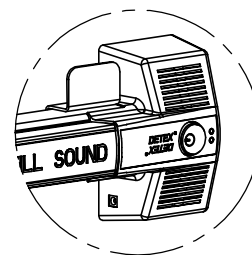
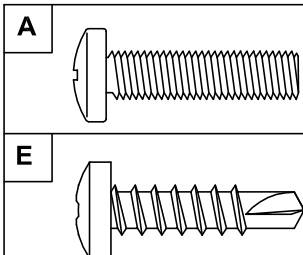
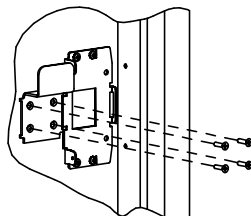


Inside Pull (Inside Pull must be installed before installing device)

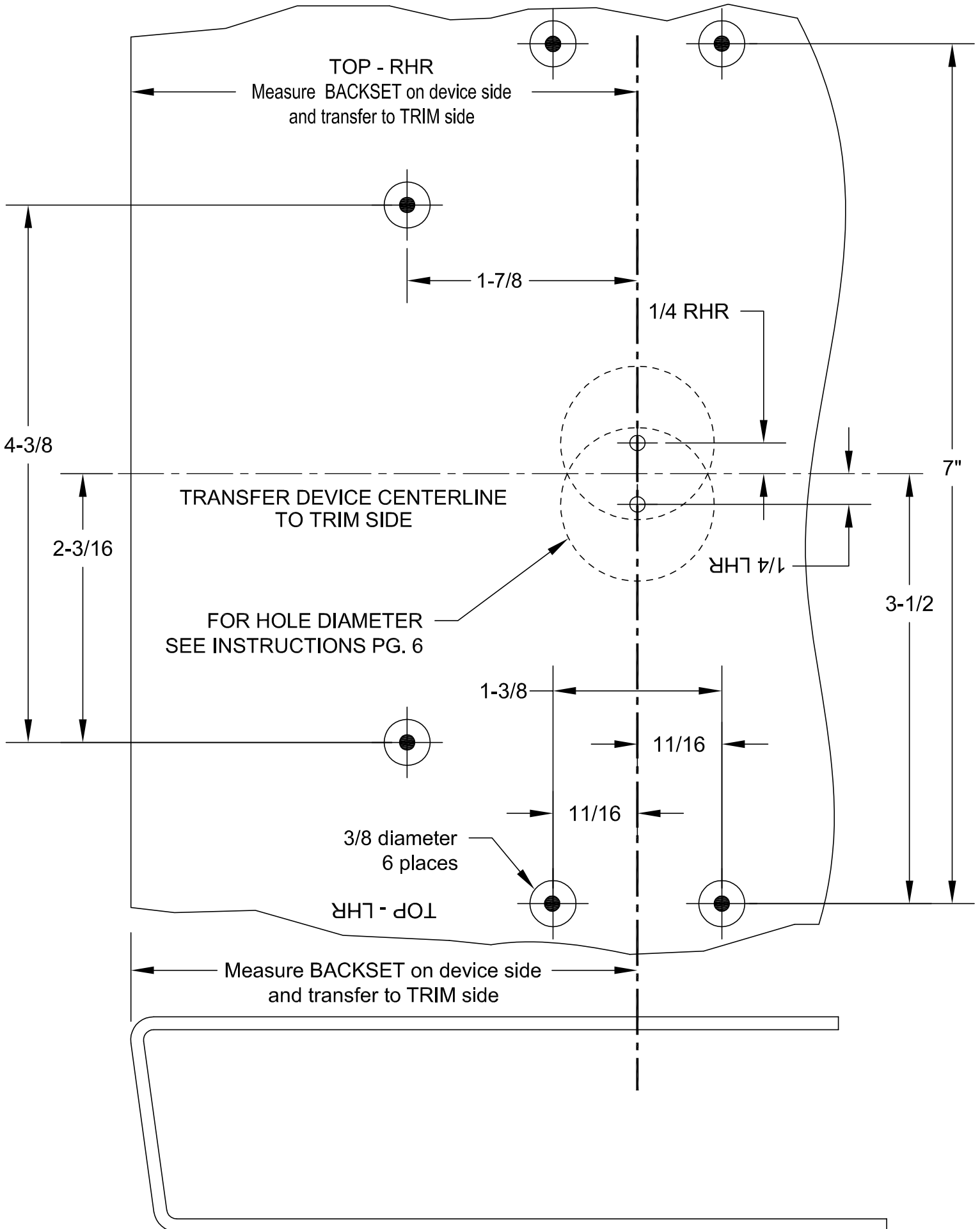
Align pull with back-plate tab and mark/drill holes



Install pull with (4) 1/4-20 ("A" screws) or (4) #14 self-drilling ("E" screws)



TEMPLATE for outside Trim



Operatlons: Turn the cylinder key 360 degrees clockwise (CW) to arm the device and lock the door. With the door locked, pushing the bar will unlock the door and sound the alarm. Turn the cylinder key 360 degrees clockwise (CW) to turn off the alarm, lock the door and arm the device.

Unlocking door with key: Turn the key 360 degrees counterclockwise (CCW) to unlock the door without setting off the siren.

Note: 360 degrees is the cylinder requirement, do not exceed. DO NOT turn past the HOME POSITION.

Troubleshooting:

1. How to remove cover

- a) Remove cover by unfastening four screws. If a cover lock is provided with cover, insert the cover lock key and turn it counter-clockwise approximately 4-5 complete turns in addition to removing 2 screws in front of cover.

2. Trouble installing cover:

- a) No cylinder collar is needed and will cause problems installing cover, remove collar.
- b) The cover needs to rotate slightly over the dead bolt.

3. Siren does not sound:

- a) Confirm the 9V battery voltage is good.
- b) Confirm the battery connector and wires are ok.
- c) Remove siren bracket assembly - Check micro-switches - With both switches open, the siren should sound.
- d) For a quick test to check siren, a 9V battery can be connected straight to the red (+) and black (-) wires on the siren.

4. Key control cylinder (IKC) - Hard to turn (Binding), does not turn:

- a) Verify the tailpiece is the right length and not bottoming out.
- b) Verify the cylinder cam is timed correctly, see page 7, step 6
- c) Verify the dead bolt or rod bolts are not bottoming out or rubbing on the strike.
- d) Push bar in and release, the bar should spring back out.
- e) Make sure the device back-plate and end mounting bracket are on the same level surface.
- f) Confirm two screws are installed to secure locking mechanism to door, see page 7, step 4.

Two point locking

- g) Confirm bottom rod connector was removed, see page 14

5. The unit sounds when the dead bolt is extended:

- a) Verify the cylinder cam is timed correctly, see page 7, step 6
- b) Verify the dead bolt or rod bolts are not bottoming out or rubbing on the strike.

6. The alarm does not reset:

- a) Turn the key 360 degrees clockwise.

7. The rod adjustments can cause malfunction of the product.

- a) If the multi-point device is malfunctioning, remove one rod at a time and recheck operations. See rod adjustment operations on page 11 and 12

Call DETEX Technical Support at 1-800-729-3839

Testing and Adjustment:

Testing: (TOP BOLT)

1. Close the door; turn key (CW) to lock door; bolt should project into the strike cavity and lock securely.
2. Push on the push-pad to open the door. The top bolt should retract from the strike and clear by 1/16" to 1/8". Bolt should remain retracted.
3. Close the door; turn key (CW) to lock door. Bolt should project into strike cavity.

Adjustment: (TOP BOLT) - Adjust bolt engagement by using holes in top bolt:

1. If top bolt hits edge of strike when door is opened:
Remove clip and pin, move bolt down and insert pin in next lower bolt hole. Insert clip and pin. Test door for bolt clearance.
2. If top bolt does not engage strike:
Remove clip and pin, move bolt up and insert pin in next upper bolt hole. Insert clip and pin. Test door for bolt engagement.

NOTE: Fine adjustment can be obtained by using thread on bottom rod (1 thread turn = Approx .050 inches)

Testing: (BOTTOM BOLT)

1. Close the door; turn key (CW) to lock door; bottom bolt should drop into the strike with door closed.
2. Push on the push-pad to open the door. The bottom bolt should retract from the strike and clear by 1/16" to 1/8". Bolt should remain retracted.
3. Close the door; turn key (CW) to lock door. Bolt should drop into strike.

Adjustment: (BOTTOM BOLT) - Adjust bolt engagement by using holes in rod:

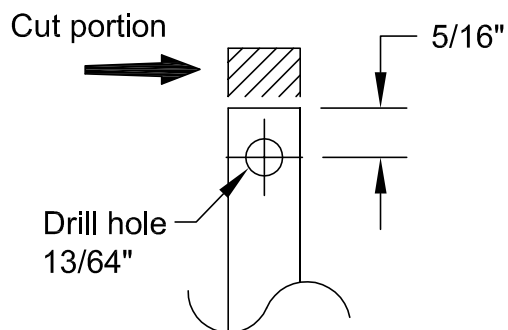
1. If bottom bolt drags on the floor or hits edge of strike:
Remove clip and pin, move bolt up and insert pin in next upper rod hole. Insert clip and pin. Test door for bolt clearance.
 2. If bottom bolt does not engage strike:
Remove clip and pin, move bolt down and insert pin in next lower rod hole. Insert clip and pin. Test door for bolt engagement.
- NOTE: Fine adjustment can be obtained by using thread on bottom rod (1 thread turn = Approx .050 inches)**

Cutting Top Rod (For non-standard doors)

Top rod may require cutting if centerline of device is over 40" from finished floor, or if a non-standard frame is used.

To determine top rod length: Measure the distance from the bottom edge of top bolt bracket to the top edge of backplate (XXXX). Add 2-7/8" for the rod length.

DRILL HOLE AFTER CUTTING

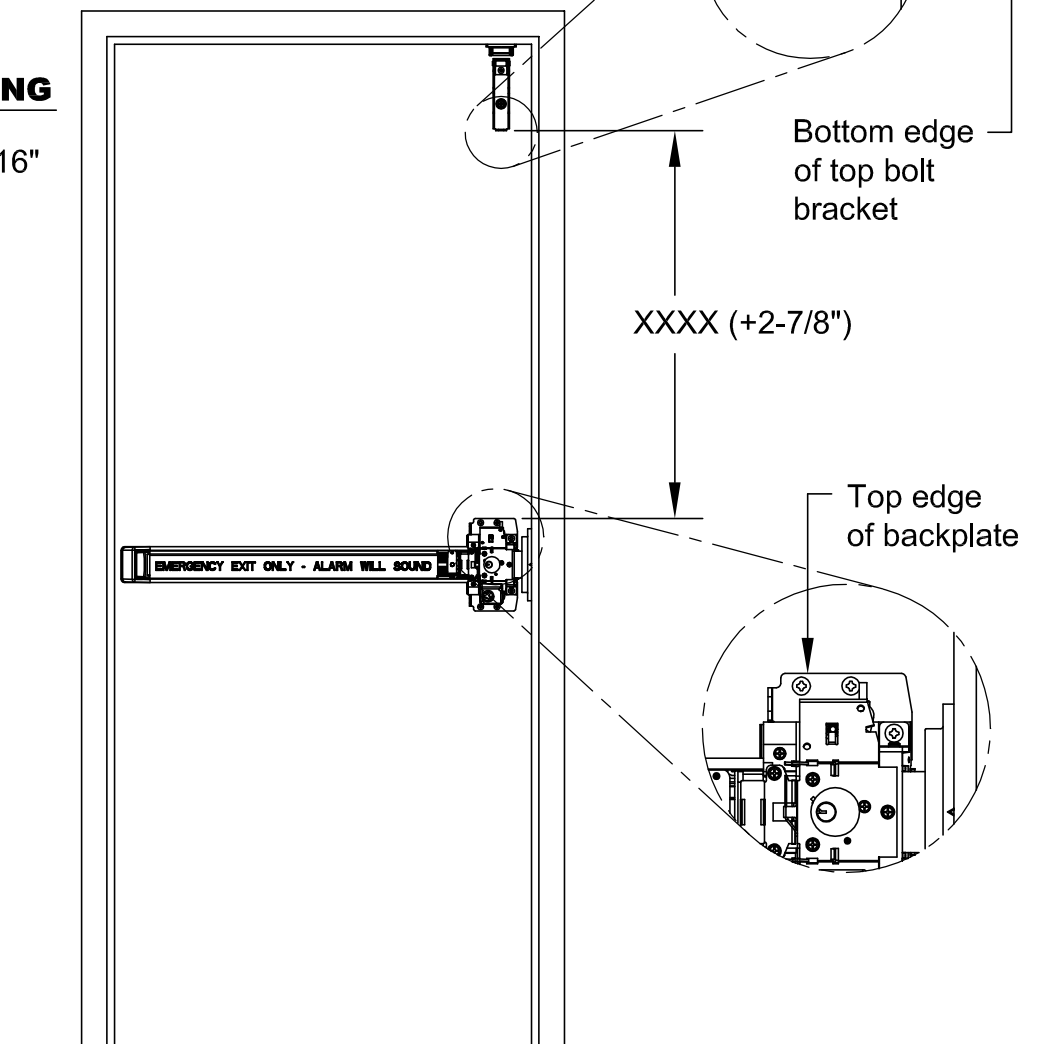
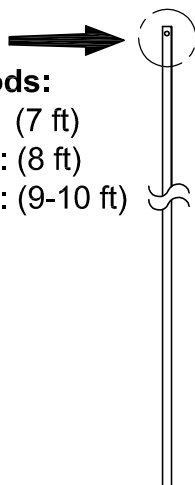


Modify top rods:

P/N 103674: (7 ft)

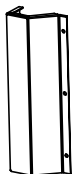
P/N 101472-4: (8 ft)

P/N 101472-3: (9-10 ft)

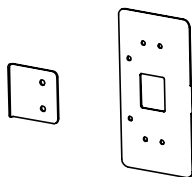


ACCESSORIES

Bottom guard kit
P/N: 103558-10



Retro-fit plate kit
P/N: RK



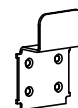
Rlm cylinder plate
P/N: 102638



Double door strike bracket kit
P/N: DDSK



Inside Pull
P/N: IP



Rod cover kit
P/N: 103558-X



Cover lock kit
P/N: 105059-X

