



WIDE STILE

LEVER TRIM DESIGNS

Assorted outside trims provide security for all types of installations. Built to be as durable as the panic devices, these heavy-duty trims will stand up to heavy use and abuse. The versatile design of the trims, combined with the device mounting plate, makes changing functions as simple as replacing the outside trim. This can easily be done without removing the exit device from the door. Wide stile trims can be used on 10 Series Rim and 20 and 21 Series Surface Vertical Rods. Add M to most trims for use with 30 Series Mortise devices. Add V to most trims for use with 70, 71, 80, 81, 82 and 83 Series Concealed Vertical Rod devices. Detex uses the BHMA functions/descriptions for all trims.

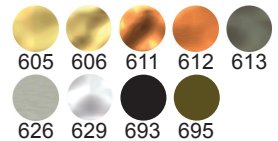
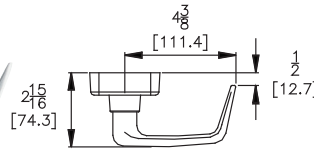
All Wide Stile Lever Trims come standard with a break-away type lever to prevent permanent damage from vandalism and abuse. Once the lever is forced past the locking point, the lever will drop down and appear broken. The internal disengaging clutch allows the lever to be reset by pulling it back to its original position. Anti-Microbial Coating (AM) is available on all levers - contact factory for lead time and details.

Standard Lever Trims



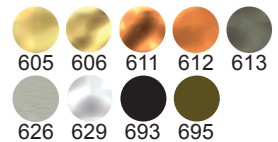
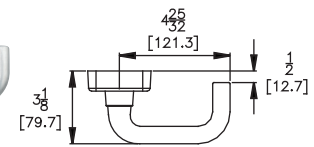
08D / 08DM / 08DV,
09D / 09DM / 09DV,
EU / EUV (Electric Lock/
Unlock)

S Lever

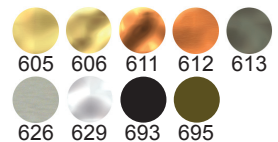
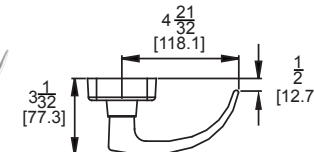


02D / 02DM / 02DV,
14D / 14DM / 14DV

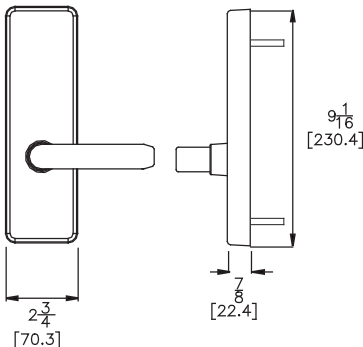
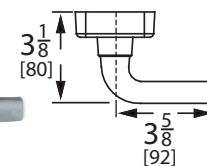
T Lever



U Lever



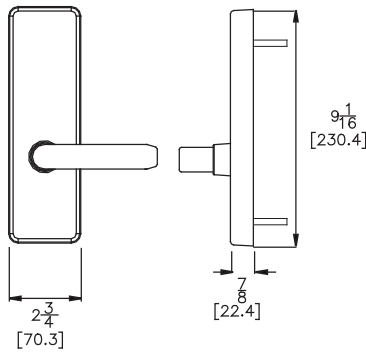
Q Lever



- | | |
|-------------|--------------------------|
| 605 / US3 | Polished Brass |
| 606 / US4 | Brushed Brass |
| 611 / US9 | Polished Bronze |
| 612 / US10 | Brushed Bronze |
| 613 / US10B | Oil Rubbed Bronze |
| 626 / US26D | Brushed Chrome |
| 629 / US32 | Polished Stainless Steel |
| 693 / SPBLK | Black Painted |
| 695 / SP313 | Dark Bronze Painted |



FSB Contemporary/European Designed Levers (630/US32D Brushed Stainless Steel Finish)



1075



1035



630

FSB Lever Trims available in 630/US32D Brushed Stainless Steel



1076



1147



1016



1119



1093



1058

BHMA Function/Description For All Lever Trims

- 02 - Entrance by trim when actuating bar is locked down (dummy trim)
- 08 - Entrance by knob or lever. Key locks or unlocks knob or lever.
- 09 - Entrance by knob or lever only when released by key. Key removable only when locked.
- 10 - Entrance by lever. Inside or outside key locks or unlocks lever.
- 14 - Entrance by trim when latch bolt is released by knob or lever. Always active, no cylinder.
- EU - Electric Lock/Unlock - Fail Secure (FSE) or Fail Safe (FSA)

Technical Information

- D Trims are Forged Brass
- FSB Levers are Forged Steel
- KN - Knurling available on all standard levers
- When ordered with device, FSB Lever Trim will match Escutcheon plate, all finished in 630 Brushed Stainless Steel
- When ordered with device, trim will match mounting plate specified
- Wide stile trim configured for use with BP1 - Call factory for retrofit applications



Detex Corporation
 302 Detex Drive
 New Braunfels, Texas 78130-3045 USA
 PH. (830) 629-2900
 (800) 729-3839
 FAX (830) 620-6711
 (800) 653-3839
<http://www.detex.com>
 USA Sales:
marketing@detex.com
 International Sales:
export@detex.com