



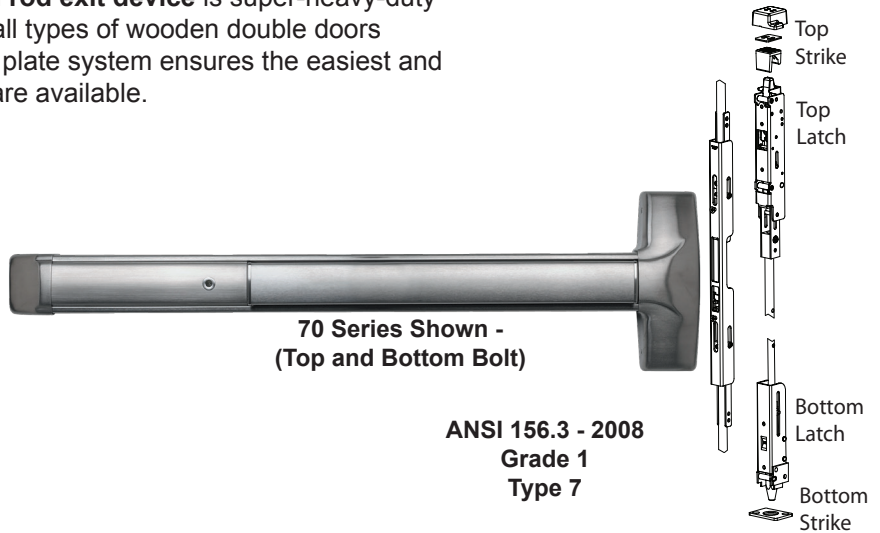
70 SERIES

71 SERIES (Top Rod Only)

Concealed Vertical Rod Device - Wide Stile Wood Doors

The 70 and 71 Series **concealed vertical rod exit device** is super-heavy-duty **panic** and **fire exit hardware** for use on all types of wooden double doors without a mullion. The patented mounting plate system ensures the easiest and most accurate installation of panic hardware available.

Note: For Top Rod Only -
Specify 71 Series



Benefits

- Tough and durable design for years of trouble-free service in high-use, high-abuse environments
- Minimal door prep saves time and money
- Aesthetically pleasing options to meet various applications including:
60/61 CVR Narrow Stile Alum. Door
62/63 CVR Narrow Stile H.M. Door
70/71 CVR Wide Stile Wood Door
80/81 CVR Wide Stile H.M. Door
82/83 CVR Wide Stile Alum. Door
- Fast and accurate installation
- Except for 03WSV, outside trims are easily changed or rekeyed without removing device from door

Features

- 6-position multi-step action in top latch keeps top and bottom bolts retracted until door closes and provides more consistent re-latching and security to door
- Top strike fully adjustable both vertically and to accommodate a variety of varying weather strip thicknesses
- Top strike both secures the door and re-engages the latchbolts
- Patented deadlocking of top (70 and 71 Series) and bottom (70 Series) bolt assemblies
- Durable steel bottom drop bolt (70 Series)
- Rods are easily adjustable with rods installed in door
- Angled end-cap deflects damage away from device
- Handed - field reversible
- Field sizeable
- 1/8 turn dogging

Mechanical Options

- F - 60 Minute Fire Rated without astragal up to 8 foot door
- AM - Anti-Microbial Coating
- HD - Hex Dogging (Std.)
- CD - Cylinder Dogging
- LD - Less Dogging
- SLR - Silencer
- 30 - Fits 30" Door Width - limited electrical options
- 36 - Fits 36" Door Widths (Std.)
- 48 - Fits 48" Door Widths
- EC1 - Ramped Endcap - Heavy duty (standard on 630, 606, 612, 613, 605, 611 & 629 finishes only)
- EC2 - Flush Endcap (standard on 628, 693 & 695 Finishes only)

Electrical Options

- Exit Alarm (EA)
- Electric Dogging (ED)
- Electric Latch Retraction (ER)
- Delayed Egress Self-Contained (EE)
- Request to Exit (EX)
- Request to Exit for High Voltage (EXV)
- Electric Delayed Egress x Latch Retraction (EExER)

Refer to Electrified Options section for more information

Accessories

- SSK - Security Torx Screw Kit

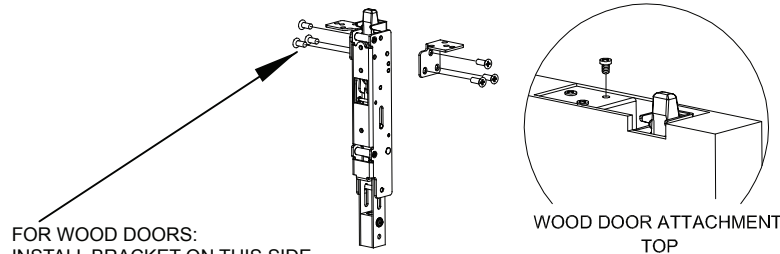
Technical Information

- Door Types - Wood
- Door Stile - Fits minimum 5"
- Door Thickness - Fits standard 1-3/4" - 2 1/4" (for other door thicknesses contact factory)
NOTE: For secure installation, Detex recommends minimum 2" thick doors
- Fasteners - Wood screws supplied standard
- Rail is heavy ribbed aluminum extrusion

Finishes

605 / US3	Polished Brass	628 / US28	Satin Aluminum	693 / SPBLK	Black, painted
606 / US4	Brushed Brass	629 / US32	Polished Stainless Steel	695 / SP313	Dark Bronze, painted
611 / US9	Polished Bronze				
612 / US10	Brushed Bronze	630 / US32D	Brushed Stainless Steel		
613 / US10B	Oil Rubbed Bronze				

Top Latch Installation for 70 & 71 Series



FOR FIRE RATED WOOD DOORS:
INSTALL BRACKETS ON BOTH SIDES

Listings and Approvals



UL Listed Panic Hardware



UBC 97, Standard 7-2 and UL10B/UL10C for positive pressure



Intertek Listed Fire Exit Hardware for 60 minutes, metal wrap on door lock edge required, with Georgia Pacific blue core 4x8 double egress pair, same swinging pair, or single door



ANSI/BHMA certified A156.3



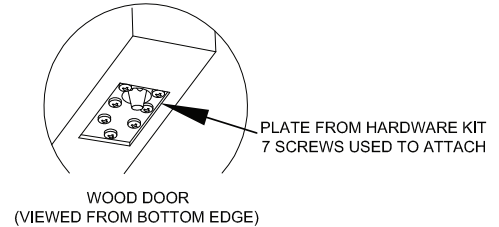
Meets NFPA 80 & 101 for Life Safety



Meets ADA requirements

Bottom Latch Installation for 70 Series Only

Note: Bottom bracket may slide up on rod during assembly. It may be necessary to pull it towards bottom edge of door with a simple wire hook.



Detex Limited Warranty

10 Year Mechanical/3 year Electrical Limited Manufacturer's Warranty



Detex Corporation
302 Detex Drive
New Braunfels, Texas 78130-3045 USA
PH. (830) 629-2900
(800) 729-3839
FAX (830) 620-6711
(800) 653-3839
<http://www.detex.com>
USA Sales:
marketing@detex.com
International Sales:
export@detex.com