

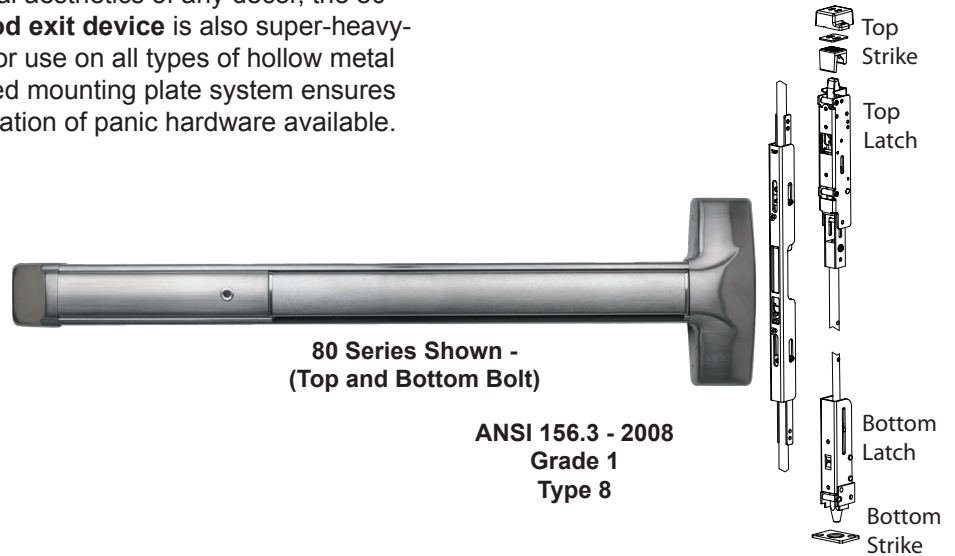


# 80 SERIES 81 SERIES (Top Rod Only)

## Concealed Vertical Rod Device - Wide Stile Hollow Metal Door

Designed to enhance the architectural aesthetics of any décor, the 80 and 81 Series **concealed vertical rod exit device** is also super-heavy-duty **panic and fire exit hardware** for use on all types of hollow metal doors without a mullion. The patented mounting plate system ensures the easiest and most accurate installation of panic hardware available.

Note: For Top Rod Only -  
Specify 81 Series



### Benefits

- Tough and durable design for years of trouble-free service in high-use, high-abuse environments
- Minimal door prep saves time and money
- Aesthetically pleasing options to meet various applications including:  
60/61 CVR Narrow Stile Alum. Door  
62/63 CVR Narrow Stile H.M. Door  
70/71 CVR Wide Stile Wood Door  
80/81 CVR Wide Stile H.M. Door  
82/83 CVR Wide Stile Alum. Door
- Fast and accurate installation
- Except for 03WSV, outside trims are easily changed or rekeyed without removing device from door

### Features

- 6-position multi-step action in top latch keeps top and bottom bolts retracted until door closes and provides more consistent re-latching and security to door
- Top strike fully adjustable both vertically and to accommodate a variety of varying weather strip thicknesses
- Top strike both secures the door and re-engages the latchbolts
- Patented deadlocking of top (80 and 81 Series) and bottom bolt (80 Series) assemblies
- Durable steel bottom drop bolt (80 Series)
- Rods are easily adjustable with rods installed in door
- Angled end-cap deflects damage away from device
- Handed - field reversible
- Field sizeable
- 1/8 turn dogging

### Mechanical Options

- F - 3-Hour Fire Rating without astragal up to 10 foot (steel) door
- AM - Anti-Microbial Coating
- HD - Hex Dogging (Std.)
- CD - Cylinder Dogging
- SLR - Silencer
- 30 - Fits 30" Door Width - limited electrical options
- 36 - Fits 36" Door Widths (Std.)
- 48 - Fits 48" Door Widths
- EC1 - Ramped Endcap - Heavy duty (standard on 630, 606, 612, 613, 605, 611 & 629 finishes only)
- EC2 - Flush Endcap (standard on 628, 693 & 695 Finishes only)

### Electrical Options

- Exit Alarm (EA)
- Electric Dogging (ED)
- Electric Latch Retraction (ER)
- Delayed Egress Self-Contained (EE)
- Request to Exit (EX)
- Request to Exit for High Voltage (EXV)
- Electric Delayed Egress x Latch Retraction (EEExER)

Refer to Electrified Options section for more information

**Accessories**

- SSK4- Security Torx Screw Kit
- Trim Functions (see Outside Trims)
- Electrified Options (see Electrified Options)

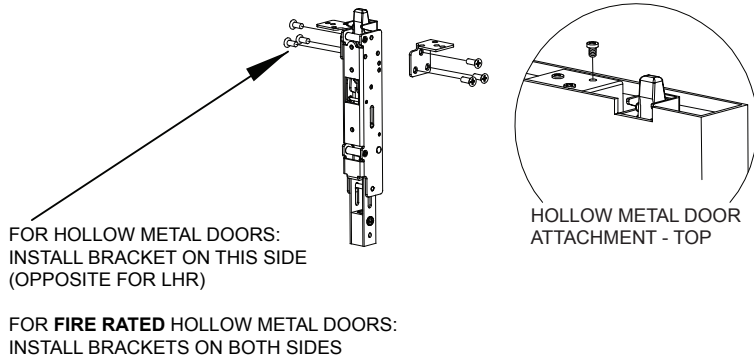
**Technical Information**

- Door Types - Hollow Metal
- Minimum Stile - 5"
- Fasteners - Machine and Self-Drilling Screws standard
- Door Thickness - Fits standard 1-3/4" - 2-1/4" (for other door thicknesses contact factory)
- Rail is heavy ribbed aluminum

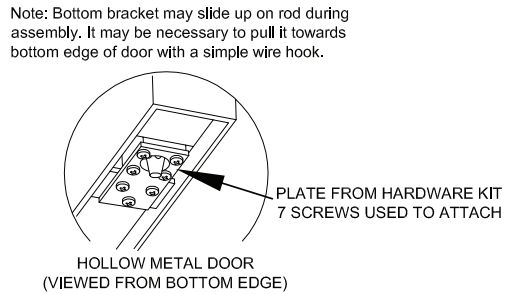
**Finishes**

605 / US3	Polished Brass	628 / US28	Satin Aluminum	693 / SPBLK	Black, painted
606 / US4	Brushed Brass	629 / US32	Polished Stainless Steel	695 / SP313	Dark Bronze, painted
611 / US9	Polished Bronze				
612 / US10	Brushed Bronze	630 / US32D	Brushed Stainless Steel		
613 / US10B	Oil Rubbed Bronze				

**Top Latch Installation for 80 & 81 Series**



**Bottom Latch Installation for 80 Series Only**



**Detex Limited Warranty**

10 Year Mechanical/3 year Electrical Limited Manufacturer's Warranty

**Listings and Approvals**

- UL Listed Panic Hardware
- UL Listed Fire Exit Hardware for 3 hours, maximum 8'x10' pairs of doors
- Meets ADA requirements

- UBC 97, Standard 7-2 and UL 10B/UL10C for positive pressure
- ANSI/BHMA certified A156.3
- Meets NFPA 80 & 101 for Life Safety



Detex Corporation  
 302 Detex Drive  
 New Braunfels, Texas 78130-3045 USA  
 PH. (830) 629-2900  
 (800) 729-3839  
 FAX (830) 620-6711  
 (800) 653-3839  
<http://www.detex.com>  
 USA Sales:  
[marketing@detex.com](mailto:marketing@detex.com)  
 International Sales:  
[export@detex.com](mailto:export@detex.com)