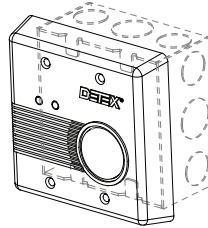


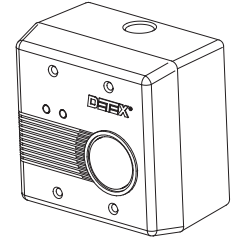
REMOTE ALARMS

CS-940/950F; CS-940/950S; CS-2940/2950F; CS-2940/2950S

The CS-900/2900 Series Remote Alarms are designed to sound an alarm when a signal is sent from a door switch or another alarm. The piercing 100dB alarm will alert management of a security breach even in a noisy environment. When the cause of the alarm has been secured, the remote alarm is automatically silenced.



CS-900/2900F Series
Flush Remote Alarm



CS-900/2900S Series
Surface Mounted
Remote Alarm

Benefits

- No cylinder required
- No cover lock required
- Saves cost
- Silencing the main alarm automatically resets the remote alarm.

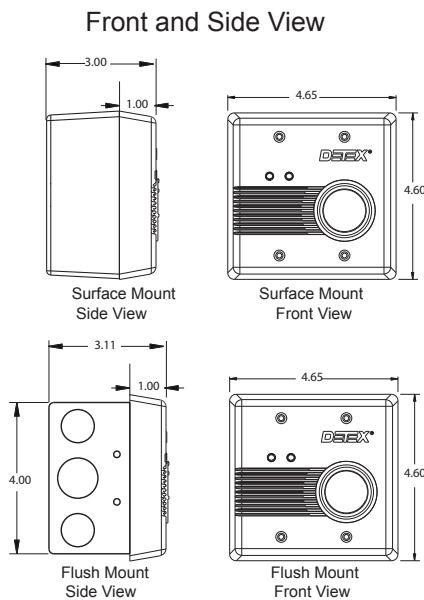
Features

- Installed in a double switch/ outlet box (flush units)
- LED's (green and red)

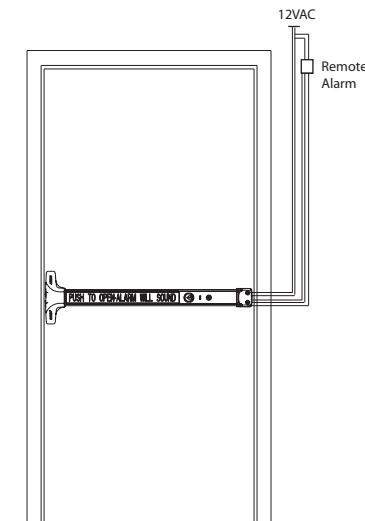
Technical Information

- 9 VDC
- Monitors an open loop

Dimensions



Riser Diagram



Where Trust is Built™
DETEX®
Life Safety and Security Door Hardware

Detex Corporation
302 Detex Drive
New Braunfels, Texas 78130-3045 USA
PH. (830) 629-2900
(800) 729-3839
FAX (830) 620-6711
(800) 653-3839
<http://www.detex.com>
USA Sales:
marketing@detex.com
International Sales:
export@detex.com