

Detex Corporation, 302 Detex Drive, New Braunfels, Texas 78130-3045
(830)629-2900 / 1-800-729-3839 / Fax (830)620-6711
E-MAIL: detex@detex.com INTERNET: www.detex.com
INSTALLATION INSTRUCTIONS FOR DETEX EAX-3500 ALARM



TO ACTIVATE TIMED BY-PASS:

- 1) Rotate key counterclockwise (CCW), light bar meter flashes, then release key.
- 2) To add By-Pass time, press "ACTIVATE TIMED BY-PASS" button. Light bar illuminates gradually as more bypass time is added.
- 3) Release button. Single green LED turns ON indicating By-Pass time is set.
- 4) Remove key and prop open door.

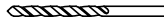
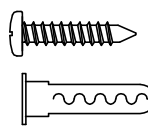
NOTE: Alarm automatically arms and resets if door closes before time expires.

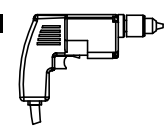






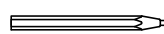
TO ADD ADDITIONAL BY-PASS TIME:

- 1) Insert key and rotate CCW until green LED turns off. Release key.
- 2) Press "ACTIVATE TIMED BY-PASS" button. Light bar meter illuminates gradually as more By-Pass time is added.

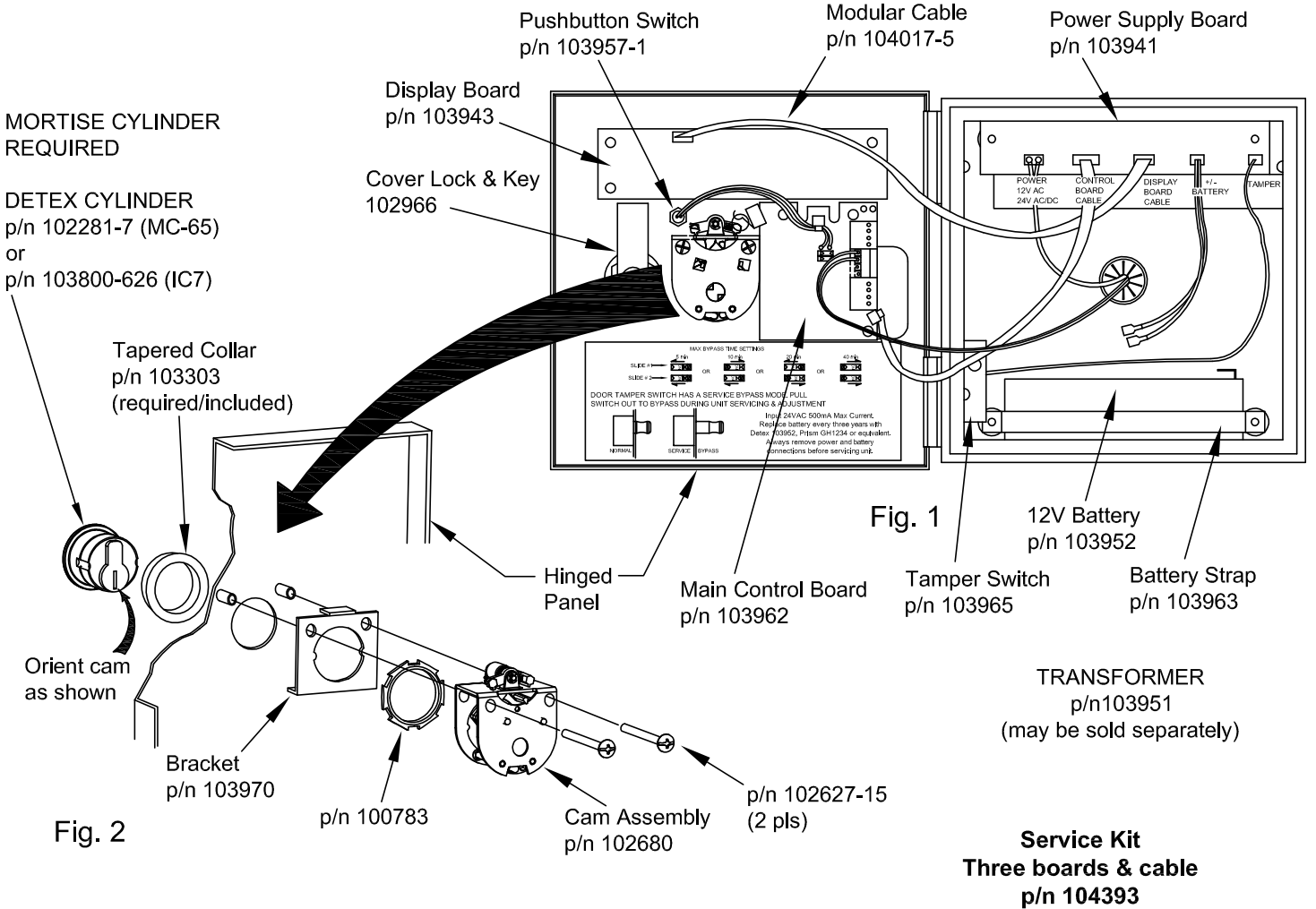
NOTE: If By-Pass time expires while door is open, alarm will sound.

TO SILENCE ALARM: Close door, insert and rotate key CCW.

Fastener Table				
DETEX®			Drill Bit	Comments
				
Self-drilling Screws	#10 x 1"	PPH	NOT REQUIRED	Metal Applications
Sheetmetal Screws w/ Anchors	#10 x 1"	PPH	1/4"	All other Applications
				

Tools Required	
Power Drill 	Pencil 
Safety Glasses 	Hammer 
Screw Driver 	Tape Measure 
Jewelers (Small) Screwdriver 	Center Punch 

EAX-3500 Installation and Usage Guide



1. CYLINDER INSTALLATION:

Unlock enclosure and open hinge panel.

To install cylinder (if not already provided) remove cam assembly. Reassemble cylinder into cam assembly as shown in FIG. 2.

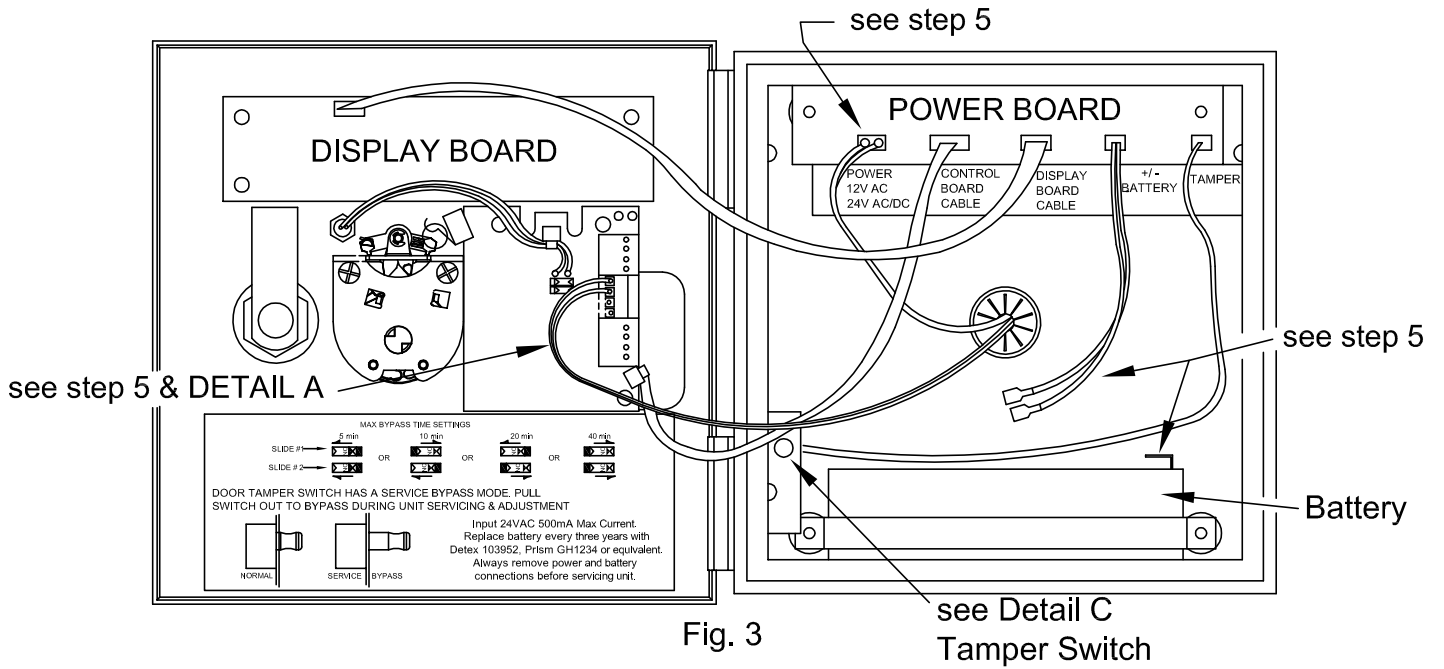
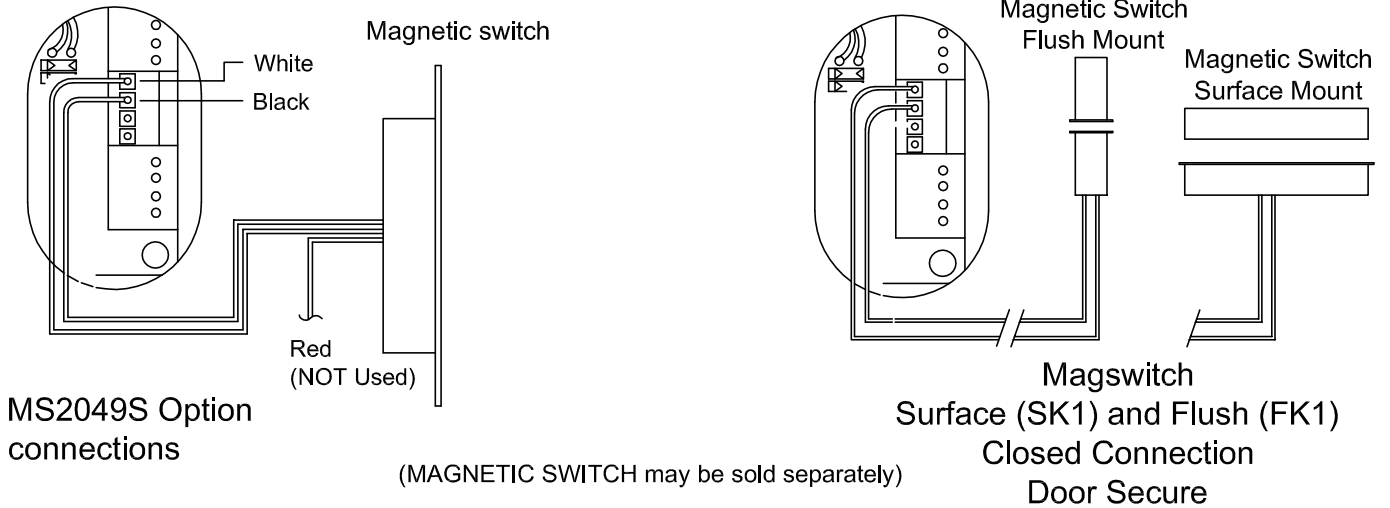


Fig. 3



DETAIL A

2. MAGNETIC SWITCH INSTALLATION:

Install magnetic contact switch onto door using magnetic switch instructions. For wire requirements, see Manufacture's Recommendation Chart. Route wires to Exit Alarm location.

Magnetic Contact Switch:

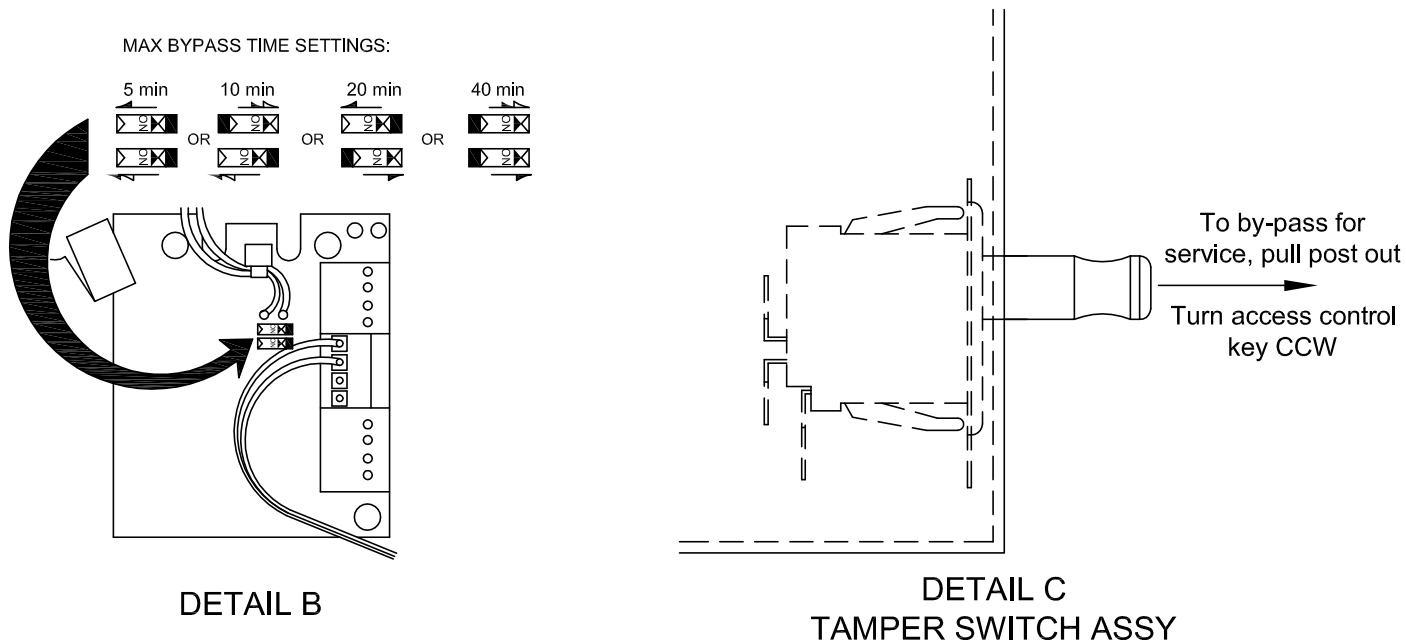
- Within 6 feet: 2 conductor cable, 22AWG
- 20 feet or less: Twisted wire, 20AWG
- 50 feet or less: Twisted wire, 18AWG

3. TRANSFORMER INSTALLATION:

Connect power wires to the two terminals on the 12VAC to 24VAC transformer. Route wires to Exit Alarm location per applicable building code(s). **DO NOT APPLY POWER AT THIS TIME.**

Power Leads from Transformer to Exit Alarm:

- 20 feet or less: 20AWG
- 50 feet or less: 18AWG



4. ENCLOSURE MOUNTING:

Prep surface of wall for mounting Exit Alarm enclosure. Enclosure is designed for all wires to be routed through grommet in rear hole. Route wires from transformer and magnetic switch through rear hole **BEFORE** mounting enclosure.

Mount enclosure using mounting screws supplied in hardware kit.

Mounting kit options:

Option 1 - #10 sheet metal screws and #10 plastic anchors

Option 2 - #10 self-drilling screws

NOTE: Enclosure must be earth grounded per NEC requirements.

5. ENCLOSURE INSTALLATION:

Connect magnetic switch wires to PC board located on enclosure door. (See FIG 3 and DETAIL A). Examples shown are for Detex supplied magnetic switches. Transformers and magnetic switches are required and can be purchased separately.

Connect power wires to the two place terminal block located on lower left corner of power board. Wires are not polarity sensitive (Fig. 3).

By-Pass time is factory set for 5 minutes. See detail B above for additional By-Pass time options.

To By-Pass for service, extend plunger on tamper switch. (See DETAIL C)

Insert access control key into mortise cylinder on front side of hinged panel.

Install battery (supplied with unit). Remove plastic protectors from the polarity sensitive battery terminals. Alarm will sound if magnetic switch is not closed and tamper switch plunger is not extended.

Plug wall mounted transformer into wall outlet.

Turn access control key counterclockwise (CCW) 1/4 turn and HOLD for 5 seconds LIGHT BAR METER will turn OFF and ALARM is reset. Close hinged panel and secure cover lock. Alarm will sound. To silence alarm, rotate access control key CCW.

The single RED LED located next to light meter bar will turn ON indicating device is powered and in the armed mode. Alarm will sound if magnetic contact switch on door is opened. To silence alarm close magnetic contact switch on door and turn control key CCW.

6) TO ACTIVATE TIMED BYPASS:

Rotate key counterclockwise (CCW) until light bar meter flashes, release key.

To add By-Pass time press 'ACTIVATE TIMED BY-PASS' button. Light bar illuminates gradually as more By-Pass time is added.

Release button. Single green LED turns ON indicating By-Pass time is set.

Remove key and prop door open.

NOTE: Alarm automatically arms and resets if door closes before time expires.

7) ADD ADDITIONAL TIMED BYPASS:

Insert key and rotate CCW single green LED turns.

Release key

Press 'ACTIVATE TIMED BY-PASS' button. Light bar illuminates gradually as more By-Pass time is added.

Note: If By-Pass time expires while door is open, alarm will sound.

TO SILENCE ALARM: Close door, insert and rotate key CCW.

8) To service device pull plunger on tamper switch as shown in Detail C. Rotate access control key CCW.

EAX-3500 Troubleshooting

Symptom:	Probable cause / Fix
Key cylinder is loose or sticks out.	Tapered collar not installed. Hex nut is not secure. 103970 bracket not installed or installed backwards (Flange goes towards the cover).
Does not arm, key requires high effort to rotate.	Incorrect cam on mortise cylinder. Should be Yale type cam. Self adjusting switch cam mounting screws overly tight.
Unit in constant alarm mode. Turning key CCW does not reset alarm.	Magnetic switch too far from magnet or connected to the wrong terminals on the PWA. Wrong type of switch contact. Must be closed contact with the door closed and magnet in correct position.
Unit goes into alarm when service requires opening the front cover.	Pull tamper switch plunger fully out, turn key CCW. Make sure door is closed during initial opening of the cover.
Not enough bypass time when set at max.	Change switch positions as needed. See label on inside front cover for options.
Goes into alarm when trying to set time.	Turn key CCW and release. Then press the 'Activate Timed By-Pass' button.
Unit does not reset once in alarm mode.	Make sure door is fully closed. Make sure wiring to the magnetic switch is not damaged or cut.
Unit chirps every 20 to 30 seconds. This is a low battery indication.	Check AC power to the device, and that building power is present at the outlet. Make sure optional plug-in transformer is plugged in and the holding screw installed. Check for damaged wiring between the transformer and the EAX-3500. The battery should be replaced every three years