

Specifications

E-Plex® 2000 Series

FEATURES

Access Control: Electronic pushbutton lock – eliminates problems and costs associated with issuing, controlling, and collecting keys, and cards. Provides exterior access by PIN code, while allowing free egress.

E-Plex E2000 locks are powered by 3 AA batteries that load into a slide-up battery tray in the outside housing, which eliminates wires through the door and allows for continuous operation up to 100,000 cycles.

No Wires: Requires no wiring to or through the door – eliminates risk of damage from pinched wires that can result in costly callbacks.

Locking Device Options:

- Cylindrical: Cylindrical latch with 3-hour UL/ULC fire rating
- Exit Device: Compatible with most leading brands of Exit Devices; See list under "Exit Device Compatibility" (Exit Device and Mounting Hardware not included)
- American Standard Mortise: With 1 ¼" (32 mm) face plate; with and without dead bolt, auto dead bolt also available

Number of Codes: Multiple Users–100 Codes

Audit Trail: The most recent 1,000 lock events are recorded in memory, including use of the mechanical key override. Software is required to view audit events.

Programming: Locks are programmed via keypad or with optional Microsoft® Excel®-based software – simplifies management of doors and users as facility's number of users and access points grow.

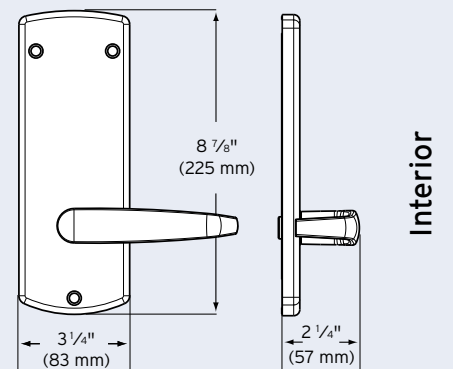
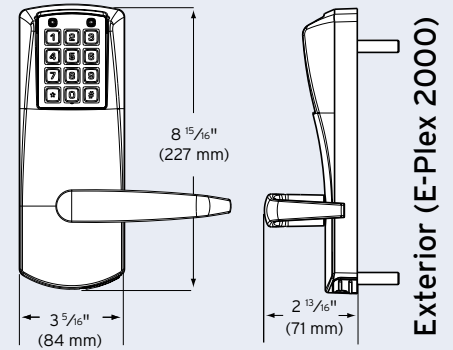
Handing: Non-handed; pre-assembled for left-hand door installations – easily changed in the field.

Key Override (Optional):

- Optional Key-in-Lever cylinder in Schlage "C" Keyway with black Kaba cap
- Small format – Best and equivalent (6 or 7-pin length)

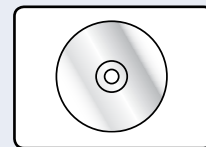


Cylindrical Dimensions



Optional Feature

PC Software



Operation Modes:

- PIN access
- Passage – can be toggled on/off or can be pre-programmed to re-lock after a certain number of hours
- Lockout

Authority Levels:

Five different levels allow who has access to specific lock functions, including:

Master Level – performs all set-up and programming functions

Manager Level – administers common programming functions

Access User Level – entry granted with valid PIN

Service Level – codes for single event or single day access, programmable in advance

Maintenance Level – no access is granted, information can be uploaded/downloaded to/from the lock

User Parameters:

Code length – Adjustable to accept 4 to 8 digits

Anti-tamper lockout – Adjustable from 3 to 9 invalid attempts with an adjustable period of 0 to 90 seconds

Relock time – Adjustable from 2 to 20 seconds

Lock Power:

Batteries located in outside housing; offers quick and easy battery replacements (Three AA Alkaline batteries provide up to 100,000 cycles); lock data is maintained if batteries fail.

MECHANICAL FEATURES

Construction:

Heavy-duty commercial Grade 1 lockset, solid cast exterior housing, solid cast levers, cylindrical drive wear tested for extensive use in indoor and outdoor applications

Numeric Keypad:

Vandal resistant, solid metal pushbuttons

Handing:

Non-handed, pre-assembled for left-hand door installation—easily changed in the field

Backset:

Cylindrical: 2 3/4" (70 mm) backset, 2 3/8" (60 mm) backset

Mortise: 2 3/4" (70 mm) backset

Exit Trim Model: Varies by exit device

Latches:

Cylindrical Models: 1/2" (13 mm) throw latch

Mortise Models: 3/4" (19 mm) latch, 1" (25 mm) dead bolt (optional) and auto dead bolt (optional)

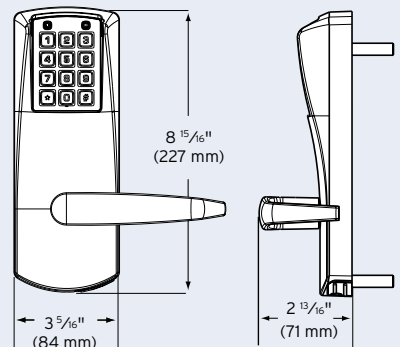
Strikes:

Cylindrical Models: Packaged standard with both ANSI A11.53 "T Strike" and A115.2 ASA Strike

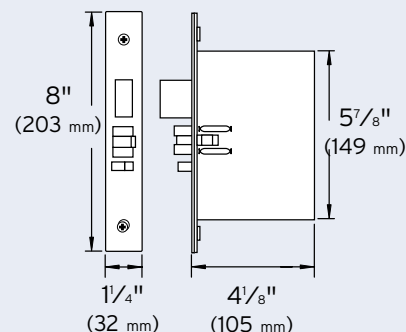
Minimum Stile Required: 5" (127 mm)

Weight: 8 lbs. (3.63 kg)

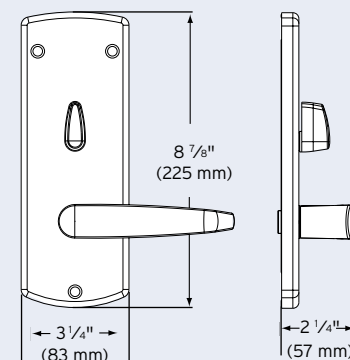
Mortise Dimensions



Exterior (E-Plex 2000)

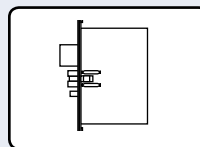


Interior

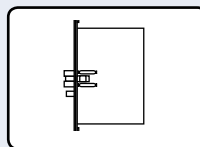


Optional Features

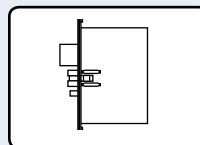
Deadbolt



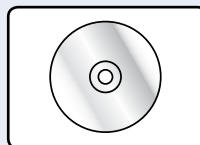
No Deadbolt



Auto-Deadbolt



PC Software



KEY OVERRIDE OPTIONS

Key-in-Lever Cylinder:

Kaba 1539 6-pin cylinder – Schlage "C" Keyway

Interchangeable Core:

Small format – Best and equivalent (6 or 7-pin length); cylinder not included

INSTALLATION

Ease of Installation:

No wiring to or through the door – no risk of pinched wires

Door Preparation:

Cylindrical and Exit Trim – ASA 161 (Easily installs on door preparation with three additional through bore holes (wood or metal doors)

Mortise – ASA 86 door preparation with three additional through bore holes

Door Thickness:

Cylindrical Model: 1 3/8" (35 mm) to 2 1/2" (64 mm); Pre-assembled to accommodate doors 1 5/8" (41 mm) to 2" (50 mm)

Exit Trim and Mortise Models:

1 3/4" (44 mm) to 2 1/4" (57 mm). Pre-assembled to accommodate doors 1 3/4" (44 mm) to 2 1/8" (54 mm).

Items Supplied:

Cylindrical and Mortise – Lock assembly, installation manual, template, quick reference guide, operations manual, and required hardware

Exit Trim – Lock assembly, installation manual, template, quick reference guide, operations manual, and required hardware

Exit Device and mounting hardware not included

Additional Items (Supplied with Key-in-Lever Models Only):

Includes Universal Kaba 1539 6-pin cylinder in Schlage "C" Keyway with two nickel silver keys

CERTIFICATION AND TESTING

Accessibility Standard: Americans with Disabilities Act (ADA)

Durability: ANSI/BHMA Grade 1 Certified (A156.25, A156.2, A156.13, A156.3)

Fire Rating: UL 10C Fire rated

Environmental: Indoor/Outdoor Approved; -31 °F (-35 °C) to +130 °F (55 °C)

WARRANTY

Warranty: Three-year warranty from date of installation; built-in warranty counter in lock memory

AVAILABLE FINISHES

Standard Finish: Satin Chrome 26D (626) housings and levers

Optional Finish: Satin Brass 04 (606) housings and levers

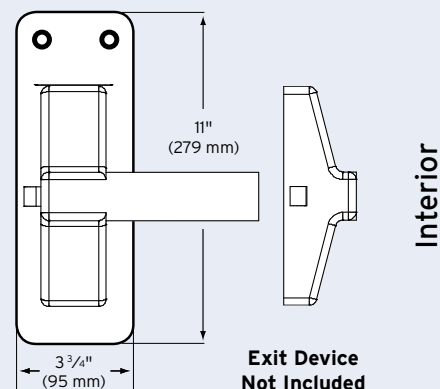
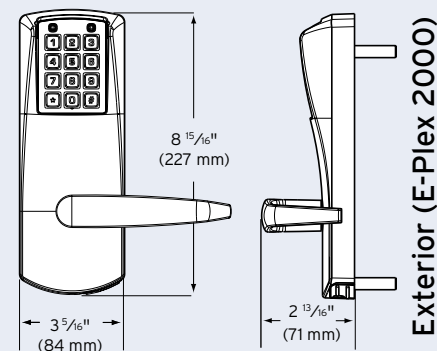


Satin Chrome



Satin Brass

Exit Trim Dimensions

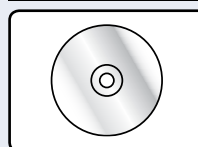


Exit Device Compatibility

- Arrow Rim # 3800
- Corbin 5000 Series
- Detex Rim # F1001
- Detex Surface Vertical Rod #s 20/F20
- Dorma Rim # F9300
- Precision Rim #s 21/FL21
- Precision Surface Vertical Rod #s 22/FL22
- Sargent Rim # 8800
- Von Duprin Concealed Vertical Rod #s 9847/9947
- Von Duprin Mortise #s 9875/9975
- Von Duprin Rim #s 89/99
- Von Duprin Surface Vertical Rod #s 9827/9927
- Yale Concealed Vertical Rod #7160
- Yale Rim #7100

Optional Feature

PC Software



Disclaimer: While reasonable efforts were made to ensure the accuracy of this document at the time of printing, Kaba assumes no liability for any errors or omissions. This information is subject to be revised without notice, and changes may be incorporated in future releases.

Copyright © 2013 Kaba ADS Americas. All rights reserved.

KAA1297 0413

Kaba Access & Data Systems Americas

2941 Indiana Ave
Winston-Salem, NC 27105
Tel: 1-800-849-8324

www.kaba-adsamericas.com

BEYOND SECURITY

