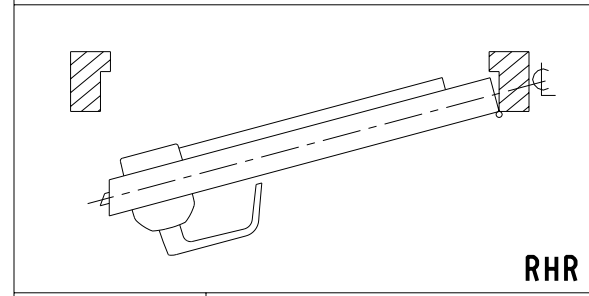
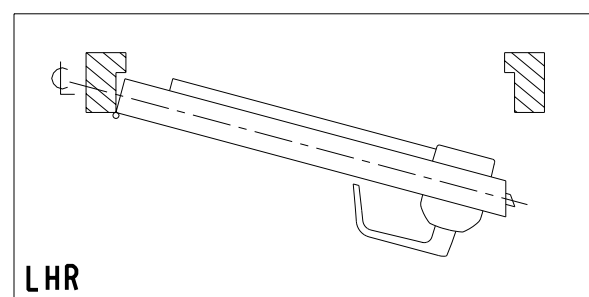
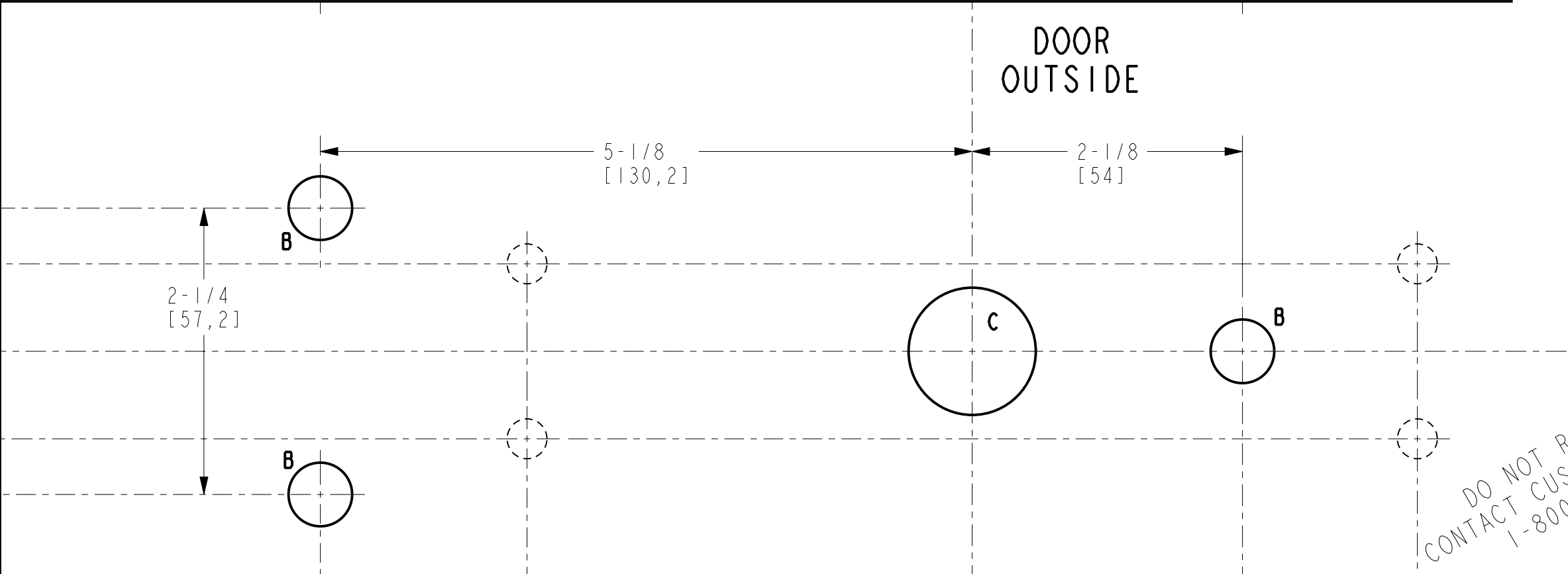


- NOTES:
- 1- FOR DIMENSIONS AND TOLERANCES REFER TO: DOOR PREPARATION DRAWING #IP-513124-LHR
 - 2- FOR EXIT DEVICE AND MORTISE LOCK CUT-OUT REFER TO EXIT DEVICE MANUFACTURER INSTALLATION INSTRUCTIONS.
 - 3- BACKSET SHOWN FOR REFERENCE ONLY, ADJUST BACKSET TO EXIT DEVICE MANUFACTURER INSTALLATION INSTRUCTIONS.
 - 4- FROM THE INSIDE OF THE DOOR, DRILL HOLES 'A' (SEE TABLE)
 - 5- SYMBOLS: - ∇ DEEP
 - \odot CENTER LINE OF DOOR
 - \varnothing DIAMETER
 - \rightarrow NOT TO SCALE
 - 6- ALL DIMS INCHES [mm]

| HOLE ID | DIM INCH/(mm) | ∇ INCH/(mm) | COMMENTS |
|---------|------------------------------|-------------------------|-------------|
| A | $\varnothing 5/16$ (7,95) | $\nabla 3/4$ (19,05) | SEE NOTE #4 |
| B | $\varnothing 1/2$ (12,7) | * | - |
| C | $\varnothing 1$ (25,4) | * | SEE NOTE #2 |

* UNLESS OTHERWISE NOTED, DRILL HALF DOOR THICKNESS ON BOTH SIDES.



LHR DRILLING TEMPLATE
EXIT DEVICE OPERATOR

630, 730, 750 AND 79E LOCK SERIES
FOR DETEX 10/F10, 20/F20
VON DUPRIN RIM 98/99
VON DUPRIN SURFACE 9827/9927
PRECISION RIM 21/FL21
PRECISION SURFACE 22/FL22



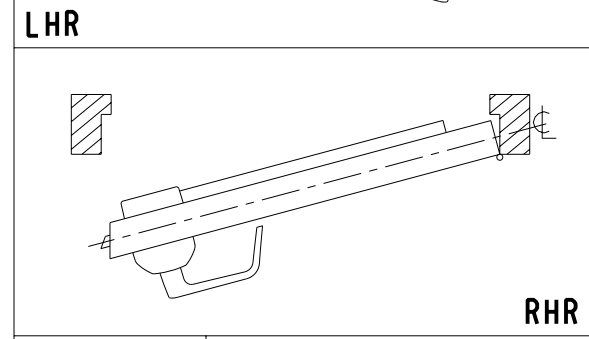
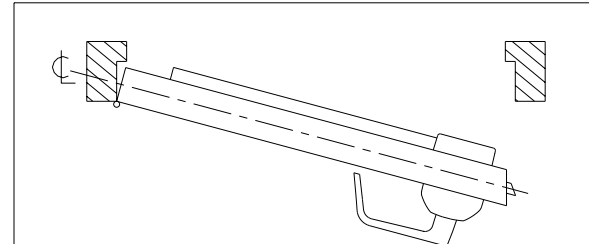
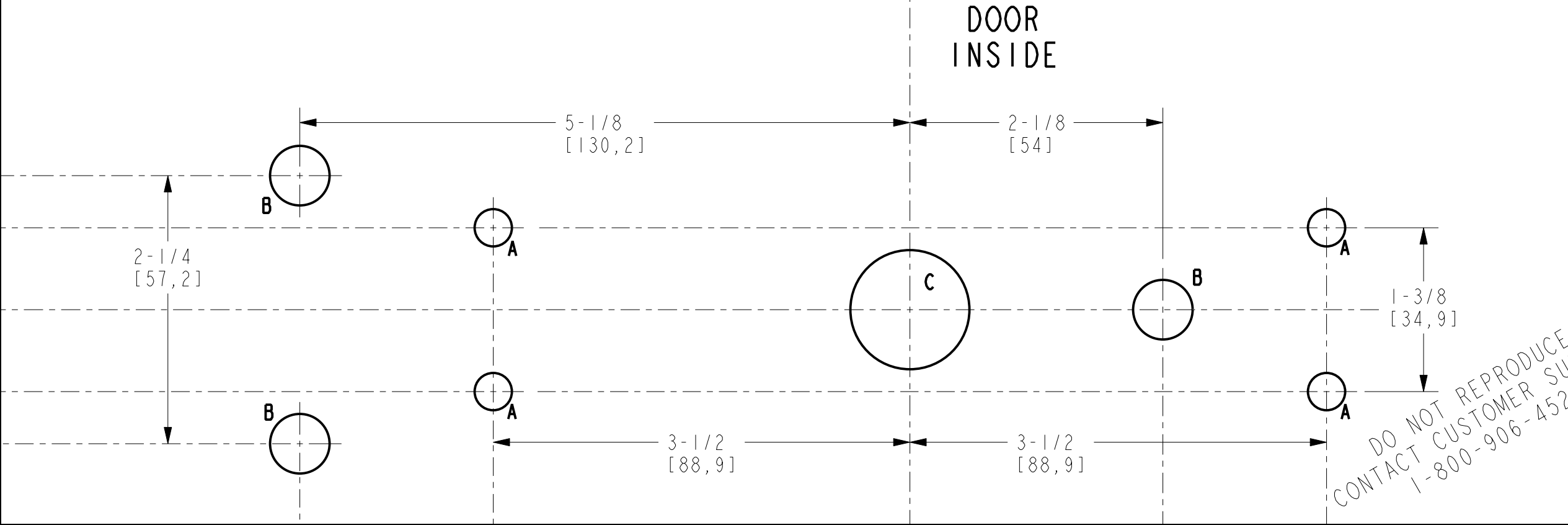
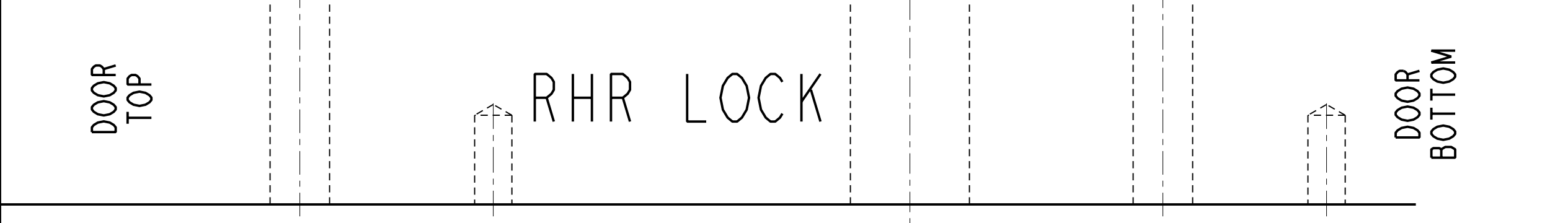
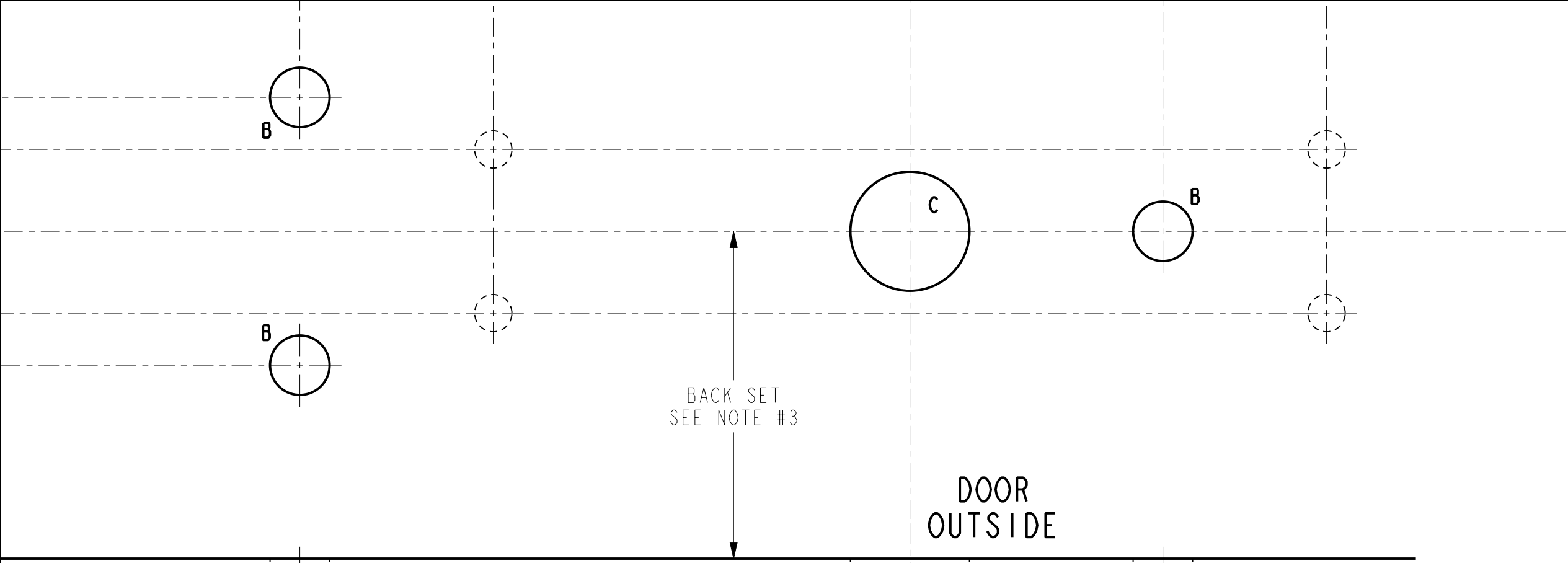
| | | |
|--------|---------------------|--|
| SHEET | DATE | UNE VERSION FRANCAISE DE CE DOCUMENT EST DISPONIBLE SUR DEMANDE. |
| 1 OF 2 | 11AU09 ECN 13259 | DT-513124 REV-1 |

DO NOT REPRODUCE
CONTACT CUSTOMER SUPPORT
1-800-906-4526

- NOTES:
- 1- FOR DIMENSIONS AND TOLERANCES REFER TO: DOOR PREPARATION DRAWING #IP-513124-RHR
 - 2- FOR EXIT DEVICE AND MORTISE LOCK CUT-OUT REFER TO EXIT DEVICE MANUFACTURER INSTALLATION INSTRUCTIONS.
 - 3- BACKSET SHOWN FOR REFERENCE ONLY, ADJUST BACKSET TO EXIT DEVICE MANUFACTURER INSTALLATION INSTRUCTIONS.
 - 4- FROM THE INSIDE OF THE DOOR, DRILL HOLES 'A' (SEE TABLE)
 - 5- SYMBOLS: - ∇ DEEP
- \odot CENTER LINE OF DOOR
- \varnothing DIAMETER
- \rightarrow NOT TO SCALE
 - 6- ALL DIMS INCHES [mm]

| HOLE ID | DIM INCH/(mm) | ∇ INCH/(mm) | COMMENTS |
|---------|------------------------------|-------------------------|-------------|
| A | $\varnothing 5/16$ (7,95) | $\nabla 3/4$ (19,05) | SEE NOTE #4 |
| B | $\varnothing 1/2$ (12,7) | * | - |
| C | $\varnothing 1$ (25,4) | * | SEE NOTE #2 |

* UNLESS OTHERWISE NOTED, DRILL HALF DOOR THICKNESS ON BOTH SIDES.



RHR DRILLING TEMPLATE
EXIT DEVICE OPERATOR

630, 730, 750 AND 79E LOCK SERIES
FOR DETEX 10/F10, 20/F20
VON DUPRIN RIM 98/99
VON DUPRIN SURFACE 9827/9927
PRECISION RIM 21/FL21
PRECISION SURFACE 22/FL22



| | | |
|--------|------------------------|---|
| SHEET | DATE | UNE VERSION FRANCAISE DE CE DOCUMENT EST DISPONIBLE SUR DEMANDE. |
| 2 OF 2 | 11AU09 ECN 13259 | DT-513124 REV-1 |

DO NOT REPRODUCE
CONTACT CUSTOMER SUPPORT
1-800-906-4526