

NOTES:

- 1- USE DIMENSIONS FROM DIAGRAM A TABLE TO ADJUST BACK-SET POSITION ACCORDING TO LOW AND HIGH BEVEL DOOR EDGE.
- 2- DIMENSIONS ARE SYMETRICAL ABOUT  $\phi$  UNLESS OTHERWISE NOTED.
- 3- THIS DRAWING HAS SPECIFIC TOLERANCES. REFER TO TABLE FOR DIMENSIONS MARKED WITH @
- 4- DEPTH MEASURED FROM THE FRONT OF DOOR, ON THE CENTER LINE  $\phi$

SPECIFIC TOLERANCES:

DISTANCES:  $\pm .030$  ( $\pm .75\text{mm}$ )  
 HOLES  $\phi$ :  $\pm .010$  ( $\pm .25\text{mm}$ )  
 DIMS MARKED @:  $+.030$  ( $+.75\text{mm}$ )  
 $-.000$  ( $-.00\text{mm}$ )

| REVISIONS |       |  |                     |                       |              |
|-----------|-------|--|---------------------|-----------------------|--------------|
| REV       | ECN   | DESCRIPTION  | FAIT PAR<br>MADE BY | VERIF PAR<br>CHK'D BY | DATE         |
| 4         | 12494 | DIMS $\nabla .094$ , $1.125$ AND $\phi 1.000$ WERE<br>$.060$ , $1.000$ AND $\phi .875$ | P.P.                | A.T.                  | 15JN<br>2007 |
| 5         | 12610 | 790 ADDED IN TITLE BLOCK   | F.D.                | C.D.                  | 24OC<br>2007 |

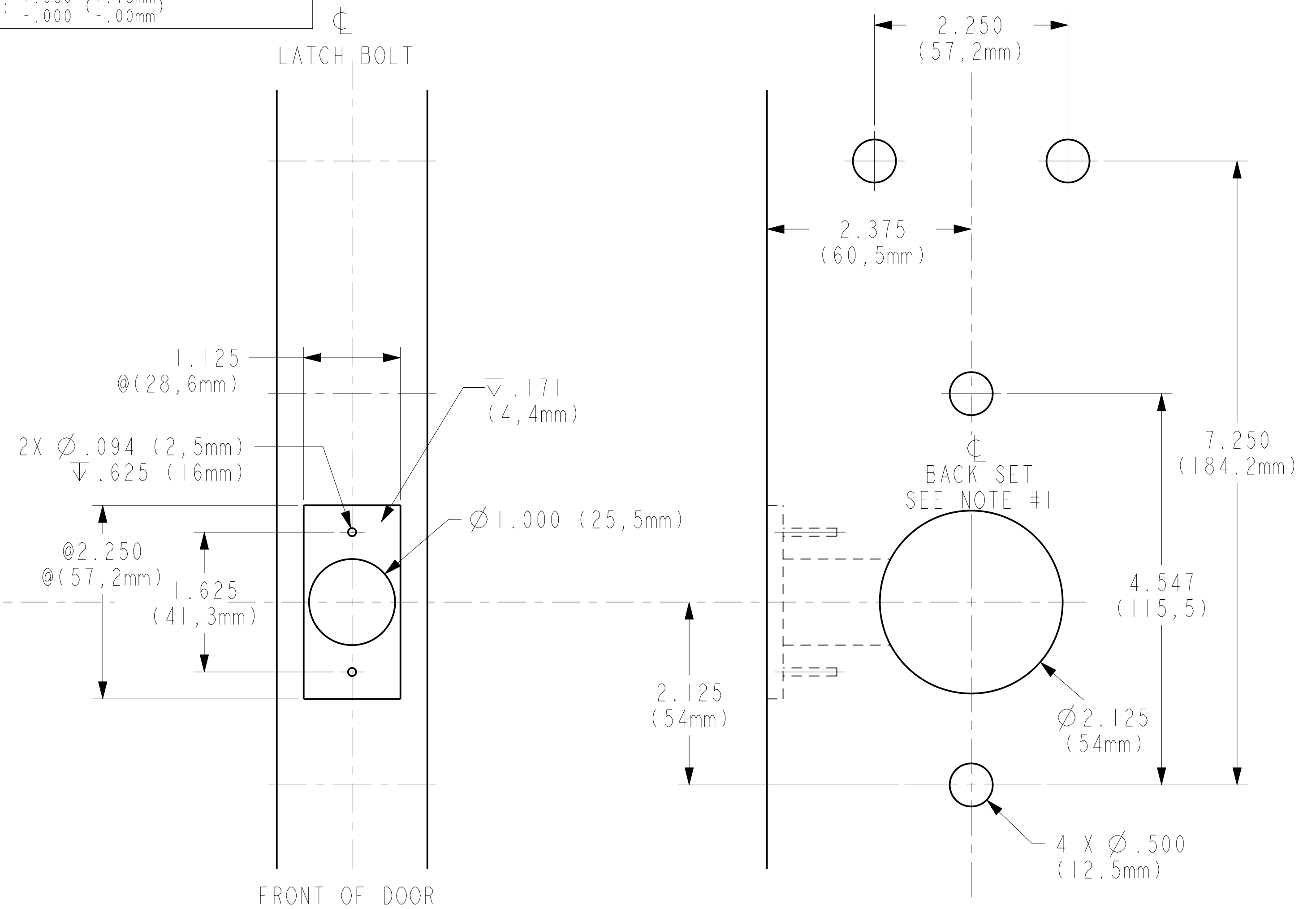
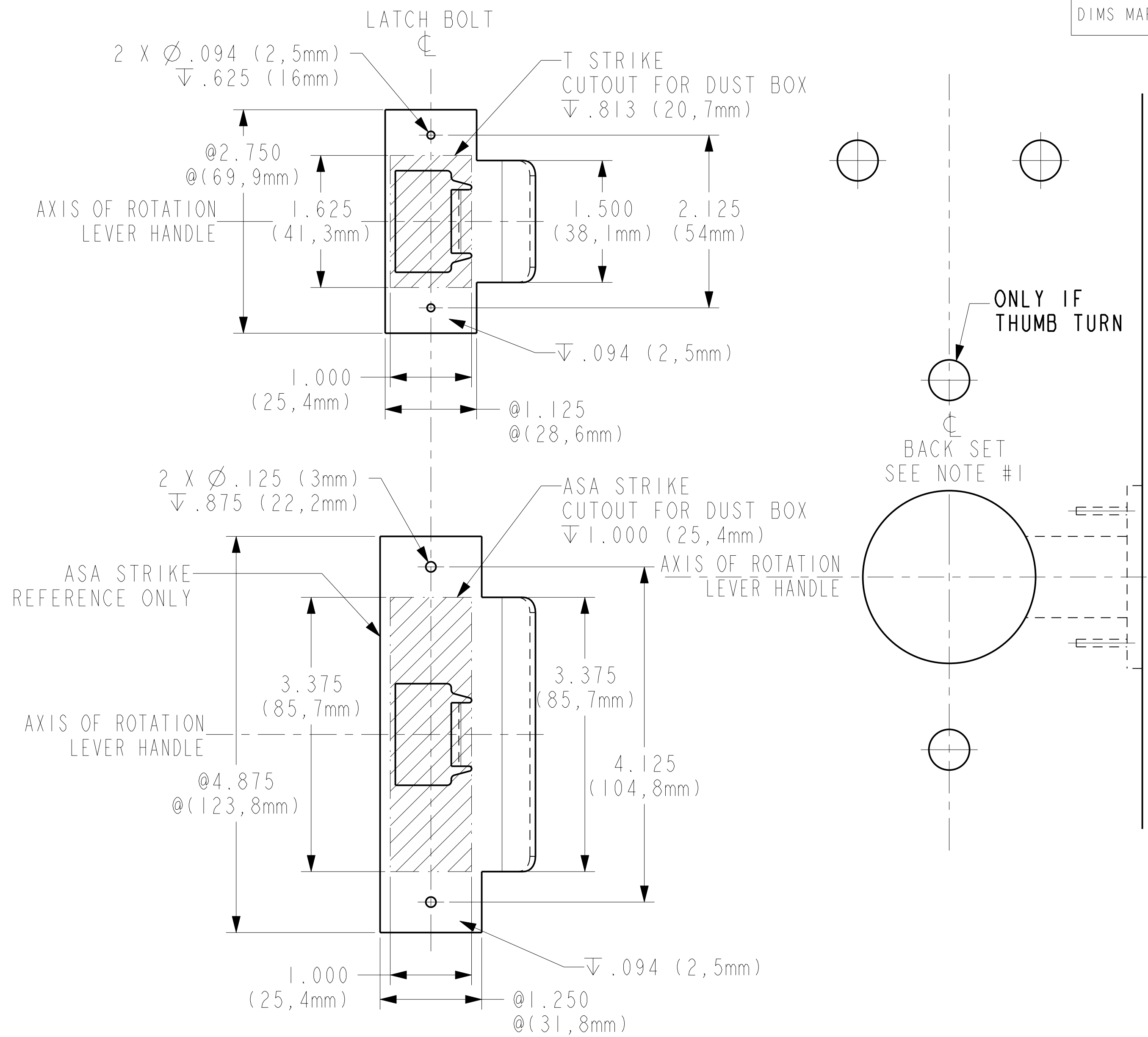
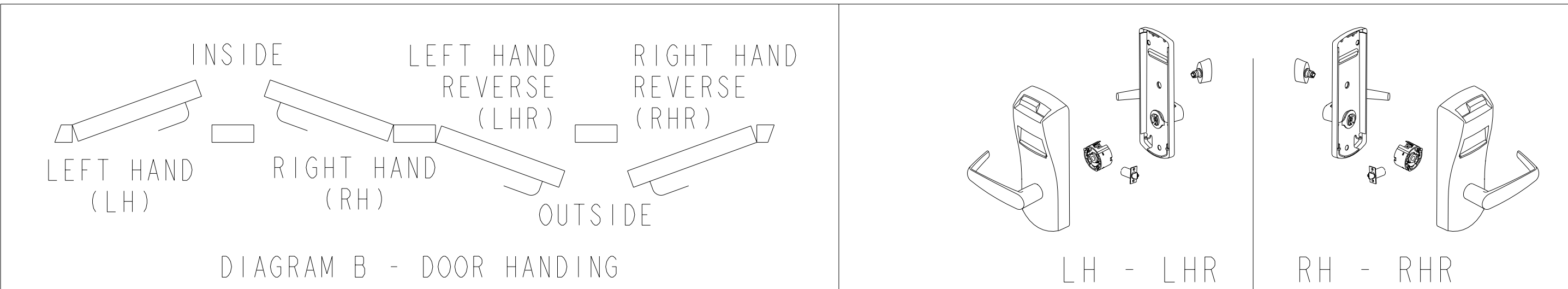


DIAGRAM A - BACK SET AJUSTEMENT FOR 3° BEVEL DOOR

| DOOR THICKNESS DIMENSION X | BACK SET AJUSTEMENT DIMENSION Y |
|----------------------------|---------------------------------|
| 1.25 (31,8mm)              | .032 (0,81mm)                   |
| 1.50 (38,1mm)              | .039 (1,00mm)                   |
| 1.75 (44,5mm)              | .046 (1,17mm)                   |
| 2.00 (50,8mm)              | .052 (1,32mm)                   |
| 2.25 (57,2mm)              | .059 (1,50mm)                   |
| 2.50 (63,5mm)              | .065 (1,65mm)                   |
| 2.75 (69,9mm)              | .072 (1,83mm)                   |

- SYMBOLS
- $\nabla$  DEEP
  - $\phi$  CENTER LINE
  - $\phi$  DIAMETER
  - $\nabla$  NOT TO SCALE



LE MATERIAU ET LA FINITION DE CETTE PIECE DOIVENT RESPECTER LES DIRECTIVES ENVIRONNEMENTALES; REFERENCE AU STANDARD D'INGENIERIE DE KABA ES-073.  
 MATERIAL AND FINISH OF THIS PART TO COMPLY WITH ENVIRONMENTAL DIRECTIVES; REFERENCE TO KABA'S ENGINEERING STANDARD ES-073.

|   |   |  |                                       |                    |   |   |               |
|---|---|--|---------------------------------------|--------------------|---|---|---------------|
| XXX   | DIMENSIONS CRITIQUES<br>CRITICAL DIMENSIONS     | SANS AUTRES SPECIFICATIONS,<br>LES DIMENSIONS SONT EN POUCES<br>ET S'APPLIQUENT APRES FINITION.  | DESSEIN PAR:<br>DRAWN BY:             | P. PRIEUR 18AU04   |   | 7301, Decarie Boul<br>Montreal, QC Canada<br>H4P 2G7<br>www.kaba-ilco.com |               |
| $\phi$  | PROJECTION 3iem ANGLE<br>THIRD ANGLE PROJECTION | UNLESS OTHERWISE SPECIFIED,<br>DIMENSIONS ARE IN INCHES<br>AND APPLY AFTER FINISH.   | CONCU PAR:<br>DESIGNED BY:            | A. TOLEDANO 18AU04 |   |   |               |
| NE PAS MESURER SUR LE DESSIN<br>DO NOT SCALE DRAWING  |   | TOLERANCES:<br>SAUF SI SPECIFIEES AUTREMENT<br>UNLESS OTHERWISE SPECIFIED  | VERIFIE PAR:<br>VERIFIED BY:          | -                  | DOOR PREPARATION<br>CYLINDRICAL UNIT - 2-3/8" BACKSET<br>LEFT HAND (LH) - LEFT HAND REVERSE (LHR)<br>RIGHT HAND (RH) - RIGHT HAND REVERSE (RHR)<br>660, 760, 770, 790, E-2000 AND 76M LOCK SERIES |   |               |
| DIMENSIONING AND TOLERANCING AS PER<br>AMERICAN SOCIETY OF MECH ENGINEERS<br>ASME Y14.5-1994  |   | CE DOCUMENT EST LA PROPRIETE STRICTE DE KABA.<br>LES DONNEES QU'IL CONTIENT NE PEUVENT ETRE<br>COPIEES OU DIVULQUEES A UNE TIERCE PARTIE SANS<br>LE CONSENTEMENT ECRIT DE KABA. CE DOCUMENT<br>DEVRA ETRE RETOURNE SUR DEMANDE A KABA. | APPROUVE PAR:<br>APPROVED BY:         | -                  | FORMAT  | NO PIECE / PART NO:   |               |
| THIS DOCUMENT IS PROPERTY OF KABA. THE DATA<br>CONTAINED IS PROPRIETARY AND SHALL NOT BE<br>COPIED OR DISCLOSED TO A THIRD PARTY WITHOUT<br>WRITTEN CONSENT OF KABA. THIS DOCUMENT WILL BE<br>RETURNED TO KABA UPON DEMAND. |   | SPECIFIC<br>TOLERANCES<br>SEE NOTES  | MATERIAU / MATERIAL                   | NOT APPLICABLE     | B   | NO DESSIN / DRAWING NO:   |               |
| UNE VERSION FRANCAISE DE CE DOCUMENT<br>EST DISPONIBLE SUR DEMANDE.   |   |  | FINITION / FINISH                     | NOT APPLICABLE     |   | N/A   | IP-511181     |
|   |   |  | TRAITEMENT THERMIQUE / HEAT TREATMENT | NOT APPLICABLE     |   | ECH SCALE   | PG SHT I DE I |