

KABA®



KABA®

E-PLEX® 5X51
Privacy with Thumbturn Addendum

Kaba Access Control
2941 Indiana Avenue
Winston-Salem, NC 27105 USA
Tel: 800.849.8324 800.725.1331
Fax: 800.346.9640 336.725.3269

For Technical Assistance
Tel: 800.849.TECH 336.725.1331

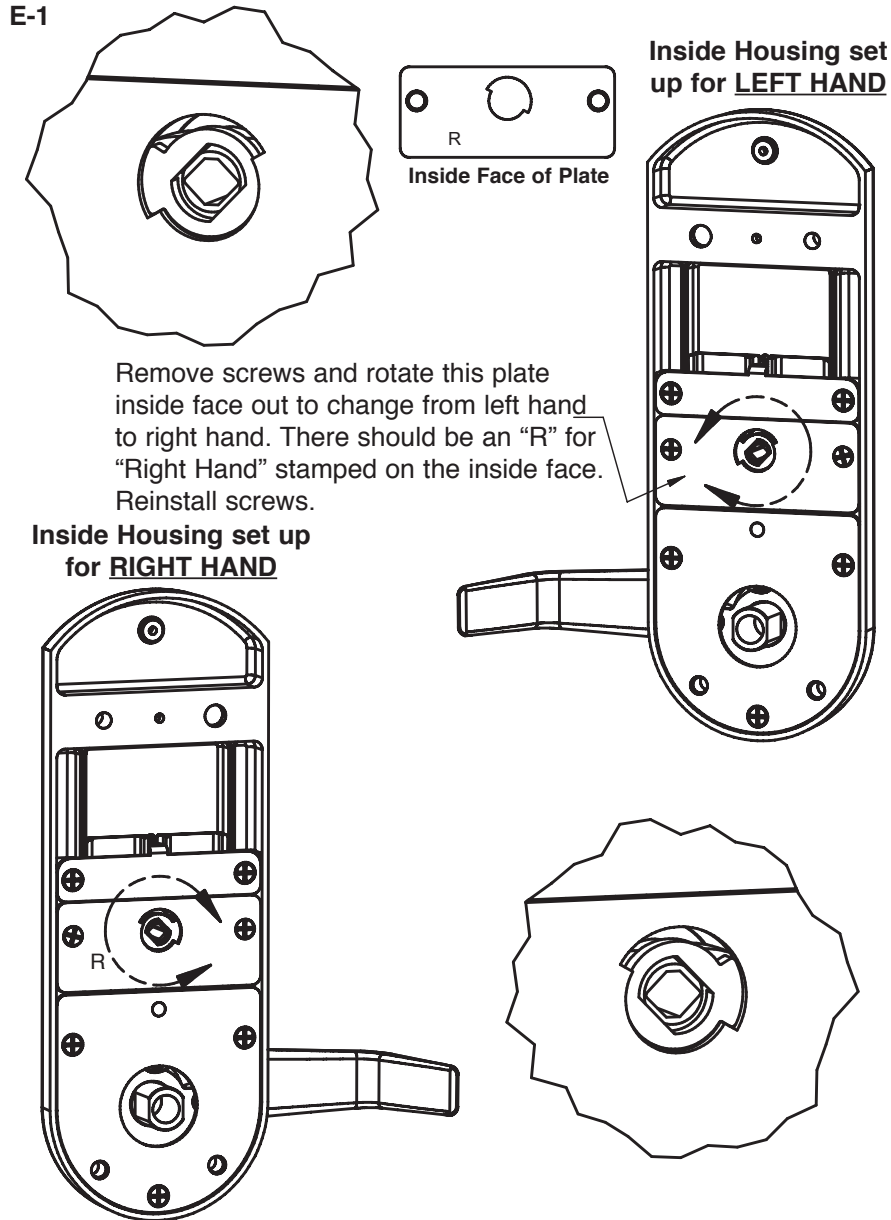
www.kabaaccess.com

PKG3137 0911

This addendum replaces the existing Section E in your E-Plex 5000 Cylindrical Installation Instructions.

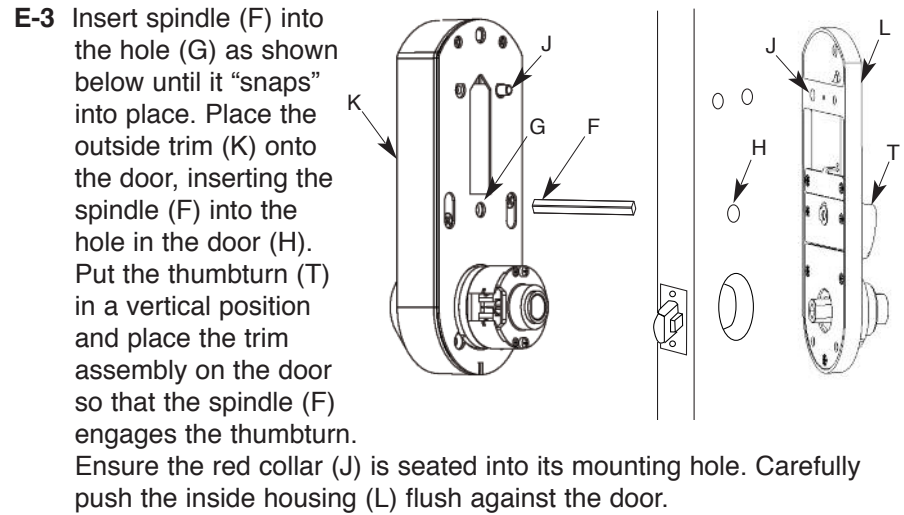
E. INSTALLING & HANDING THE INSIDE UNIT ASSEMBLY

Note: Installing levers to the unit assemblies before mounting them may ease initial installation.



E-2 Select the LectroBolt (screw with red sleeve) length that corresponds to the correct door thickness as noted in this chart:

Door Thickness	LectroBolt Size	Mounting Screws Size
1 3/8" to 1 1/2" (35 mm to 38 mm)	2 3/8" (60 mm)	2 1/2" (64 mm)
1 5/8" to 2" (41 mm to 51 mm)	2 3/4" (70 mm)	2 7/8" (73 mm)
2 1/8" to 2 1/4" (54 mm to 57 mm)	3" (76 mm)	3 1/4" (83 mm)

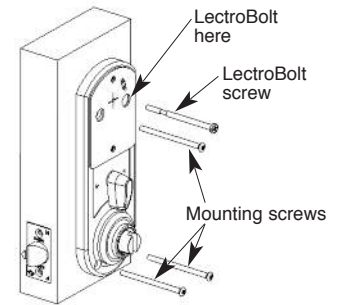


E-4 Insert LectroBolt through the red inside housing hole marked with the lightning bolt symbol.

For now, only partially tighten the LectroBolt to keep the red collars in position.

Then, insert and tighten the other three mounting bolts.

Finish tightening the LectroBolt to secure the lock on the door.



Warning: If using a power drill, please be careful not to over-tighten as this could cause damage to the mounting screws and threads.

E-5 Apply appropriate emblem to thumbturn

