



BEYOND SECURITY

**KABA**<sup>®</sup>

**E-PLEX**<sup>®</sup>

5X00 CYLINDRICAL  
INSTALLATION INSTRUCTIONS

## **APPLICABLE FOR UNITED KINGDOM INSTALLATIONS ONLY**

**It is the responsibility of the installer to ensure that the installation of this product complies with the relevant regulations applicable to the territory / country (UK only).**

- This lock was included in a successful fire test (EN 1634-1) on a timber door, which relied on the use of intumescent protection as detailed below.
- This protection must be replicated exactly, to ensure that the performance of a similar fire door is not compromised.

### **Intumescent gasket requirements for fire doors**

Product	Fire Door type - timber or mineral composite (to BS EN 1634-1)	Around tubular latch or lockcase	Behind forend	Behind strike plate (and any back box)	Kaba Pack
E-plex 5000 E-plex 5200 E-plex 5600 E-plex 5700	1 hr - 53 mm thick or ½hr - 44 mm thick	Interdens sheet x 1 mm thick	Interdens sheet x 2 mm thick	Interdens sheet x 2 mm thick	Pack 1 KABA-CYLINDER-PACK-1
E-plex 2000 PowerPlex 2000	1 hr - 53 mm thick or ½hr - 44 mm thick	Interdens sheet x 1 mm thick	Interdens sheet x 2 mm thick	Interdens sheet x 1 mm thick	Pack 1 KABA-CYLINDER-PACK-1
Simplex 1000 Simplex L1000 Simplex 5000 Simplex 6200 Simplex 8100	1 hr - 53 mm thick or ½hr - 44 mm thick	Interdens sheet x 1 mm thick	Interdens sheet x 2 mm thick	Interdens sheet x 2 mm thick	Pack 1 KABA-CYLINDER-PACK-1
Simplex 7100 with tubular latch or tubular bolt	½hr - 44 mm thick	Interdens sheet x 1 mm thick	Interdens sheet x 2 mm thick	Interdens sheet x 1 mm thick	Pack 2 ITL-KABA-7000-1

Door types covered by the test evidence

- Single leaf or double leaf, single action timber or mineral composite doorset tested to EN 1634-1
- Minimum leaf thickness
  - 60 minutes - 53 mm
  - 30 minutes - 44 mm
- The leaves should have hardwood lippings of minimum 6 mm thickness and a minimum density of 630 kg/m<sup>3</sup>
- The door frame of 30 minute doorsets shall be of softwood or hardwood with a minimum density of 450 kg/m<sup>3</sup>
- The door frame of 60 minute doorsets shall be of softwood or hardwood with a minimum density of 630 kg/m<sup>3</sup>
- For all 60 minute applications, the door leaf shall include non-combustible sub-facings

## TABLE OF CONTENTS

---

Assembly Drawing (Model E5031).....	3
Tools Required.....	3
A. Door Preparation.....	4
B. Lock Handing .....	5
C. Door Thickness.....	5
D. Installing Outside Unit Assembly .....	6
E. Installing Inside Unit Assembly .....	6
F. Installing Inside Lever/Knob.....	7
G. Changing Key-In-Lever/Knob (KIL/KIK) Cylinder .....	8
H. Installing / Removing Outside Lever/Knob..... (Key-In-Lever/Knob Models)	10
I. Installing / Removing Outside Lever/Knob..... (Interchangeable / Removable Core Models)	11
J. Installing The Battery Pack and Cover/ .....	13
Changing Batteries	
K. Testing Lock Operation.....	14
L. Programming and Software Settings.....	15
M. Installing Strike.....	15
N. Installing Rubber Bumpers.....	16

---

### **Warning**

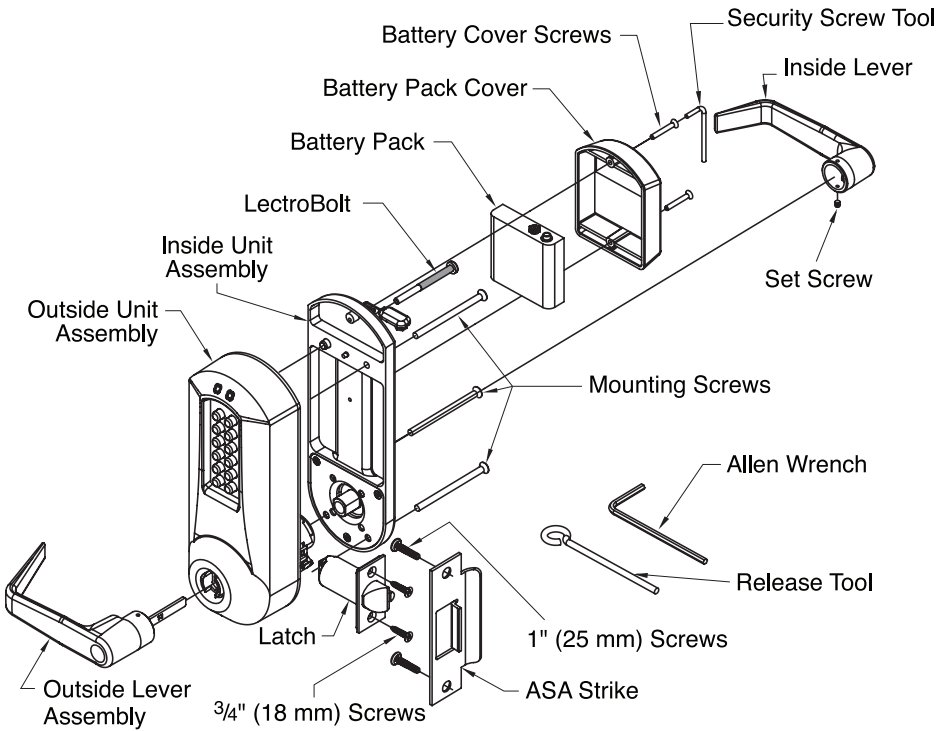
*The Master Code of this lock has been factory preset: 1,2,3,4,5,6,7,8. To activate lock functions, the master combination must be changed at time of installation.*

### **Warnings and Cautions**

**Important:** Carefully inspect windows, doorframe, door, lights, etc. to ensure that the recommended procedures will not cause damage. Kaba Access Control's warranty does not cover damages caused by installation.

**Caution:** Wear safety glasses when preparing door.

## Model E5031



The E-Plex 5031 is a non-handed lock that is preassembled for left-hand installations. It is field reversible.

### TOOLS REQUIRED

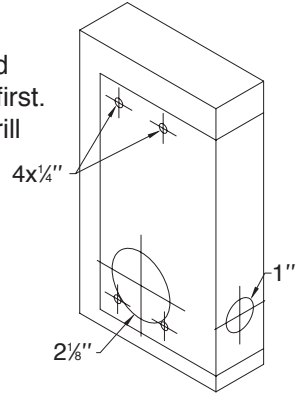
- Safety glasses
- Electric drill (variable speed)
- Awl or center punch
- 2 1/8" (54 mm) hole saw pilot drill
- 1" (25 mm) hole saw pilot drill
- 1/4" (7 mm) drill bit
- 1" (25 mm) wood chisel
- Hammer
- Phillips head screwdriver
- Small flat blade screwdriver

# KABA®

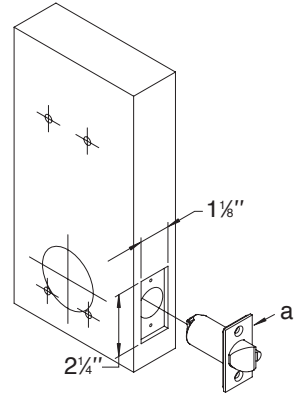
For technical assistance please call  
1-800-849-TECH (8324) or 336-725-1331

## A. DOOR PREPARATION

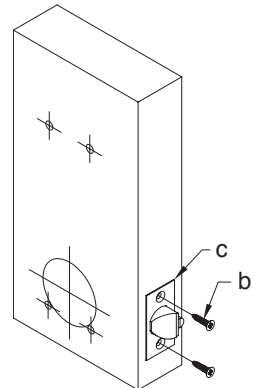
- A-1** Place paper template (supplied) onto door and mark for holes. Drill the four  $\frac{1}{4}$ " (7 mm) holes first. Next drill the  $2\frac{1}{8}$ " (54 mm) cross bore hole. Drill the 1" (25 mm) hole last.



- A-2** Mortise door edge for latch unit faceplate (c)  $\frac{1}{8}$ " (3 mm) deep to dimensions shown. Insert latch unit (a) into the 1" (25 mm) hole, making certain that the latch bolt bevel faces direction of closing door.



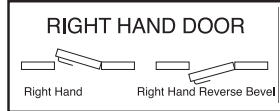
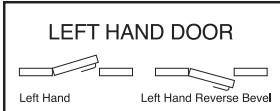
- A-3** Secure the latch to the door using two  $\frac{3}{4}$ " (19 mm) combination screws (b) supplied. Latch unit faceplate must be flush with door (c).



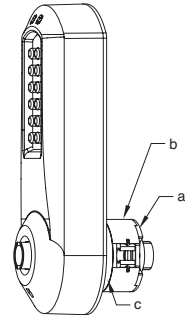
## B. LOCK HANDING

The E-Plex 5000 is a non-handed lock that is preassembled for left-hand door installations.

**B-1** Determine the hand of your door. For left hand doors, proceed to Section C. For right hand doors, follow steps in B-2.



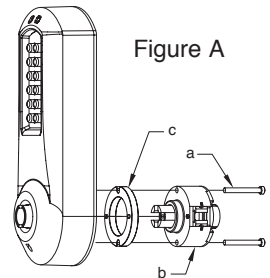
**B-2** Remove the two connecting screws (a) from the cylindrical drive unit (b). Rotate cylindrical drive unit 180 degrees. Reposition spacer (c) as found before disassembly. Remount drive unit with the two connecting screws.



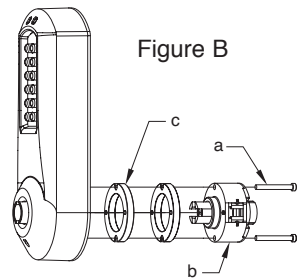
## C. DOOR THICKNESS

The E-Plex 5000 lock is preassembled to accommodate standard door thickness  $1\frac{5}{8}$ " (41 mm) to 2" (51 mm).

**C-1 (Reference Figure A)** For thinner door applications of  $1\frac{3}{8}$ " (35 mm) to  $1\frac{1}{2}$ " (38 mm) remove and discard the two connecting screws (a) from the cylindrical drive unit (b). Remove and discard the spacer (c). Remount the cylindrical drive unit using the two shorter  $1\frac{3}{8}$ " (35 mm) connecting screws also supplied.



**C-2 (Reference Figure B)** For thicker door applications of  $2\frac{1}{8}$ " (54 mm) to  $2\frac{1}{2}$ " (57 mm) remove the two connecting screws (a) from the cylinder drive unit (b). Add the extra spacer (c) supplied. Remount the cylindrical drive unit using the same two connecting screws (a) just removed.



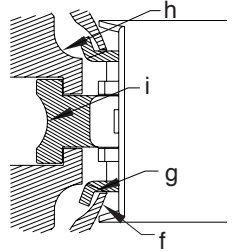
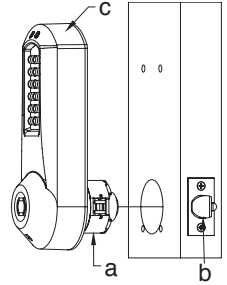
**Note:** Installing levers to the unit assemblies before mounting the unit assemblies may ease initial installation.

## D. INSTALLING OUTSIDE UNIT ASSEMBLY

**D-1** Slide the drive unit (a) into 2 1/8" (54 mm) cross bore hole by depressing latch bolt (b) in slightly until the outside unit assembly (c) rests flush against the door. Ensure the red collar is seated in the top left mounting hole.

**Note:** If the red collar appears to be too snug in the 1/4 inch hole, you can enlarge the hole in the door to 5/16".

**D-2** The drive unit (f) must engage the latch unit prongs (g) and the shoe retractor (h) must engage the latch unit tailpiece (i) as shown.

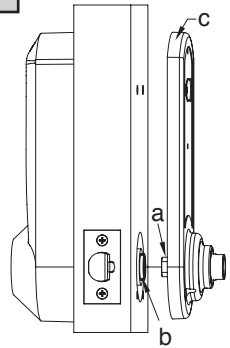


## E. INSTALLING INSIDE UNIT ASSEMBLY

**Note:** Installing levers to the unit assemblies before mounting the unit assemblies may ease initial installation.

**E-1** Slide the drive hub (a) into the drive sleeve (b) and then guide the red collar on the inside unit (c) through its respective mounting hole on the door and carefully push the inside unit flush against the door.

**E-2** Select the LectroBolt (screw with red sleeve) length that corresponds to the correct door thickness as noted in this chart:



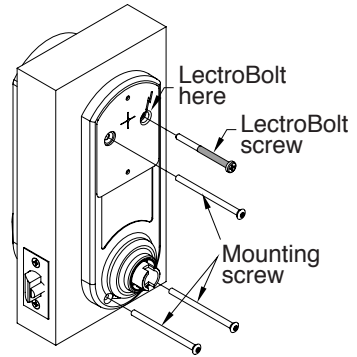
Door Thickness	LectroBolt Size	Mounting Screws Size
1 3/8" to 1 1/2" (35 mm to 38 mm)	2 3/8" (60 mm)	2 1/2" (64 mm)
1 5/8" to 2" (41 mm to 51 mm)	2 3/4" (70 mm)	2 7/8" (73 mm)
2 1/8" to 2 1/4" (54 mm to 57 mm)	3" (76 mm)	3 1/4" (83 mm)

**E-3** Insert LectroBolt through the red inside housing hole marked with the lightening bolt symbol.

**For now, only partially tighten the Lectro Bolt to keep the red collars in position.**

Then, insert and tighten the other three mounting bolts.

Finish tightening the LectroBolt to secure the lock on the door.

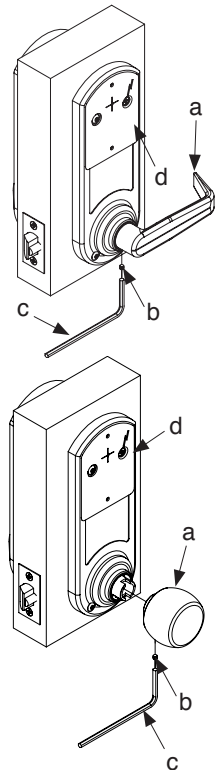


**Warning:** If using a power drill, please be careful not to over-tighten as this could cause damage to the mounting screws and threads.

## F. INSTALLING THE INSIDE LEVER/KNOB

**Note:** Installing levers/knob to the unit assemblies before mounting the unit assemblies may ease initial installation.

**F-1** Insert the inside lever/knob (a) onto the inside unit assembly (d). Secure the inside lever/knob with the  $\frac{3}{16}$ " (5 mm) set screw (b) (supplied) using the Allen wrench (c) (supplied).

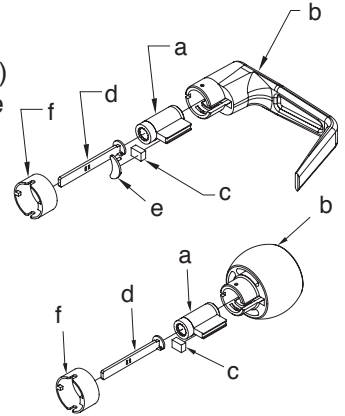




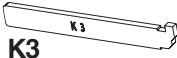




## G. CHANGING KEY-IN-LEVER/KNOB CYLINDER

On key-in-lever/knob models of the E-Plex 5000, the outside lever/knob comes preassembled with Kaba's key-in-lever/knob cylinder (Kaba 1599). To use a different key-in-lever/knob cylinder, follow remaining steps in this section.

**G-1** Remove KIL/KIK (key-in-lever/knob) cylinder (a) from the outside lever/knob (b) by removing the outside lever/knob sleeve (f). Remove the cylinder insert (e) (no insert on knobs) and the cylinder retainer (c) using a small flat blade screw driver or small needle nose pliers.



TAILPIECE	KIL/KIK CYLINDER
 <p><b>K1</b></p>	Abloy 5277, Abloy 5477, Assa 65691, Kaba 1539, Kaba Gemini 4730
 <p><b>K2</b></p>	Assa 65611, Australian: Kaba expert 107K5 & Boyd KC286, Corbin-Russwin 2000-03, Kaba 1599, Schlage 23-001, Schlage Primus 20-760, Kaba Peaks 1099
 <p><b>K3</b></p>	Medeco 20W200H1
 <p><b>K4</b></p>	Arrow C100, Sargent 10 LINE
 <p><b>K5</b></p>	Marks

**G-2** Determine the proper tailpiece from the chart above for your KIL/KIK cylinder.

**You must use a Kaba tailpiece. The K 2 tailpiece is preassembled with the Kaba 1599.**

# KABA SIMPLEX®/E-PLEX® 5x00 SERIES LIMITED WARRANTY

---

Kaba Access Control warrants this product to be free from defects in material and workmanship under normal use and service for a period of three (3) years. Kaba Access Control will repair or replace, at our discretion, 5000 Series Locks found by Kaba Access Control analysis to be defective during this period. Our only liability, whether in tort or in contract, under this warranty is to repair or replace products that are returned to Kaba Access Control within the three (3) year warranty period.

This warranty is in lieu of and not in addition to any other warranty or condition, express or implied, including without limitation merchantability, fitness for purpose or absence of latent defects.

**ATTENTION:** This warranty does not cover problems arising out of improper installation, neglect or misuse. All warranties implied or written will be null and void if the lock is not installed properly and/or if any supplied component part is substituted with a foreign part. If the lock is used with a wall bumper, the warranty is null and void. If a doorstop is required, we recommend the use of a floor secured stop.

The environment and conditions of use determine the life of finishes on Kaba Access Control products. Finishes on Kaba Access Control products are subject to change due to wear and environmental corrosion. Kaba Access Control cannot be held responsible for the deterioration of finishes.

## **Authorization to Return Goods**

Returned merchandise will not be accepted without prior approval. Approvals and Returned Goods Authorization Numbers (RGA Numbers) for the 5000 Series are available through our Customer Service department in Winston-Salem, NC (800) 849-8324. **The serial number of a lock is required to obtain this RGA Number.** The issuance of an RGA does not imply that a credit or replacement will be issued.

The RGA number must be included on the address label when material is returned to the factory. All component parts including latches and strikes (even if not inoperative) must be included in the package with return. All merchandise must be returned prepaid and properly packaged to the address indicated.

\* Simplex 5000 locks are warranted three (3) years from date of purchase.  
E-Plex 5x00 locks are warranted three (3) years from date of activation.

PLACE  
STAMP  
HERE

KABA ACCESS & DATA SYSTEMS AMERICAS  
2941 INDIANA AVE  
WINSTON-SALEM, NC 27199-3770

# Register your Kaba lock online at [www.kaba-adsamericas.com/register](http://www.kaba-adsamericas.com/register)

or fill in this product registration card and return to Kaba Access & Data Systems Americas (postage required to mail).

Name \_\_\_\_\_

**This lock will be used in what type of facility?**

Airport

Commercial Building

Daycare/Childcare

Education –  K-12 Facility,  College/University

Financial/Bank

Government

Hospital/Healthcare

Industrial/Manufacturing

Military/DOD Operations

Public Safety

Residential

Retail

Telecommunications/Utilities

Other \_\_\_\_\_

Phone \_\_\_\_\_

Email \_\_\_\_\_

Name of Dealer Purchased From \_\_\_\_\_

Date of Purchase \_\_\_\_\_

Lock Model Number \_\_\_\_\_

Serial Number \_\_\_\_\_

State \_\_\_\_\_ Zip \_\_\_\_\_

City \_\_\_\_\_ Country \_\_\_\_\_

Country \_\_\_\_\_

Country \_\_\_\_\_

Country \_\_\_\_\_

Country \_\_\_\_\_

Country \_\_\_\_\_

Country \_\_\_\_\_

Country \_\_\_\_\_

Country \_\_\_\_\_

**How did you learn about Kaba Locks?**

Advertisement

Contract Hardware Dealer

Direct Mail

Internet

Kaba Sales Representative

Locksmith

Maintenance

Previous Use

Security Hardware Distributor

Systems Integrator

Trade Show

Training Class

Word of Mouth

Other \_\_\_\_\_

**What was your reason for buying this lock?**

\_\_\_\_\_

\_\_\_\_\_

\_\_\_\_\_

\_\_\_\_\_

\_\_\_\_\_

\_\_\_\_\_

\_\_\_\_\_

\_\_\_\_\_

\_\_\_\_\_

\_\_\_\_\_

\_\_\_\_\_

\_\_\_\_\_

**What area is being secured with this lock?**

(e.g., front/back door, cabinet, common door, office)

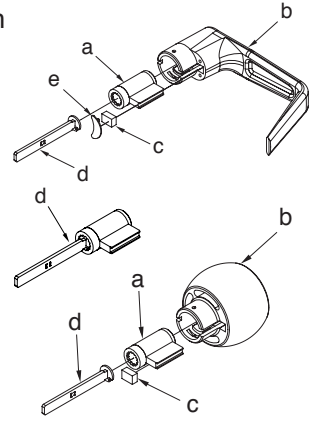
\_\_\_\_\_

Check here to be advised of important product

and software updates

**G-3** Assemble the required tailpiece (d) (supplied) with your KIL/KIK cylinder. **All tailpieces must be installed vertically (with key removed from cylinder) for proper installation.**

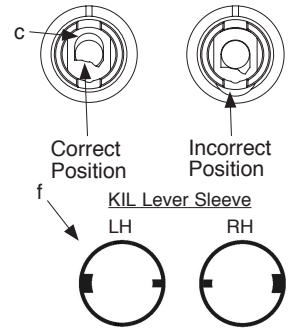
**G-4** Insert the KIL/KIK cylinder (a) into the outside lever/knob (b) and secure it with the cylinder retainer (c) and lever insert (e) (no insert on knobs). The KIL/KIK cylinder should be snug and unable to move freely.



## H. INSTALLING/REMOVING OUTSIDE LEVER/KNOB (Key-In-Lever/Knob models only)

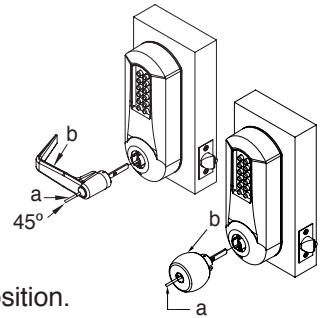
**Note:** Installing lever/knob to the unit assemblies before mounting the unit assemblies may ease initial installation.

**H-1** Make certain the lever catch is up as shown (c). The lever catch should be flush around the outer diameter of the outside driver. Make certain the lever sleeve (f) is rotated to properly mate with the outside lever/knob.



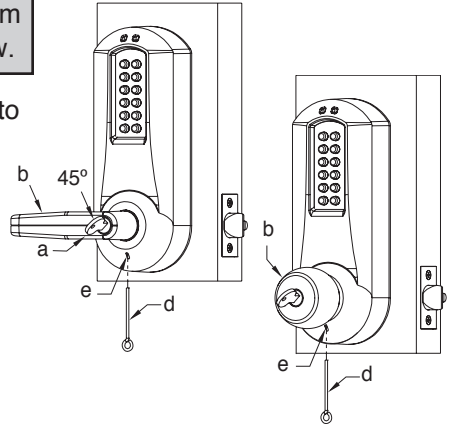
**H-2** Insert one of the supplied keys (a) into the outside lever/knob cylinder (b) and rotate key counterclockwise 45 degrees.

**H-3** Insert the outside lever/knob (b) until it is flush to the outside unit assembly (levers fit closer than knobs). Secure the outside lever/knob by rotating the key clockwise 45 degrees to the horizontal position. Remove key.



**Note:** To remove the outside lever/knob from the outside unit assembly, follow step below.

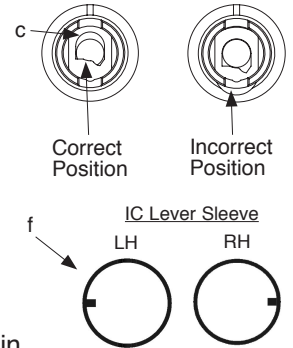
- H-4** Insert one of the (supplied) keys (a) into the outside lever/knob (b) and rotate it counterclockwise 45 degrees. Insert release tool (d) into the small hole (e) under lever/knob as shown. Gently push lever catch up until it clicks. Remove tool (d), then remove outside lever/knob (b).



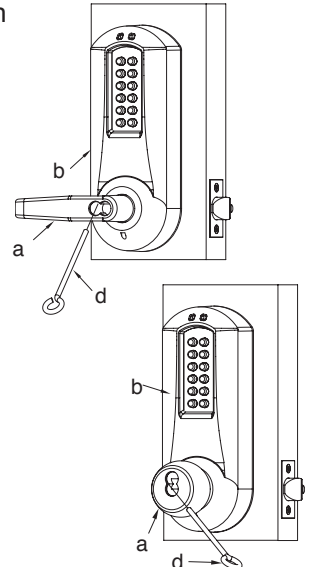
## I. INSTALLING/REMOVING OUTSIDE LEVER/KNOB (Interchangeable/Removable Core Models)

**Note:** Installing lever/knob to the unit assemblies before mounting the unit assemblies may ease initial installation.

- I-1** Make certain the lever catch is up as shown in the image (c). The lever catch should be flush around the entire diameter of the outside driver. Make certain the lever sleeve (f) is rotated to properly mate with the outside lever.



- I-2** Insert the outside lever/knob (a) until it is flush to the outside unit assembly (b) (levers fit closer than knobs). To secure the outside lever/knob, insert the release tool (d) (or screwdriver) into the outside lever/knob as shown, and slide the lever catch down until it clicks. Make certain lever/knob is locked on.



- I-3** Insert the supplied tailpiece (e) vertically into the outside lever/knob (b) as shown. Make certain that you rotate the tailpiece so it will align with the interchangeable core. For screw cap type cylinders (Schlage) (g), the tailpiece must be assembled to the cylinder first with the tailpiece vertically as shown. Insert the core into the outside lever/knob.

**Note:** To remove the outside lever/knob from the outside unit assembly, follow steps below.

- I-4** Remove the interchangeable core (g). Then remove the tailpiece (e).

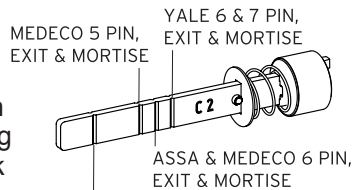
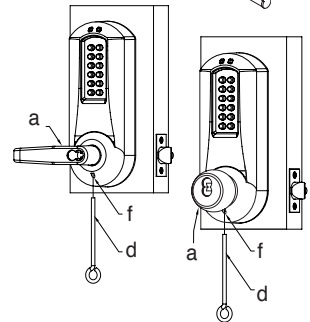
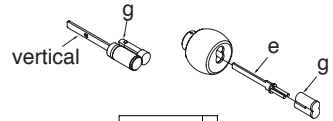
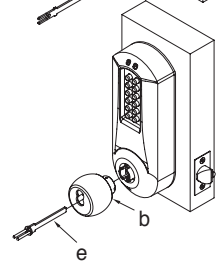
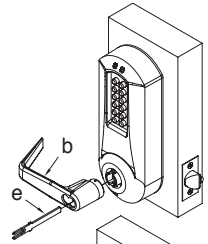
**Note:** You may want to use needle nose pliers for some tailpieces.

- I-5** Insert the release tool (d) into the small hole (f) under lever/knob as shown. Gently push lever catch up until it clicks. Remove tool (d), then remove outside lever/knob (a).

- I-6** For ASSA/Medeco/Yale interchangeable/removable cylinders, the tailpiece must be prepped for the desired length before installation.

When using a Yale cylinder on a cylindrical latch application, measure the door thickness of the intended application.

- I-7** Notice the score marks on the flat portion of the ASSA/Medeco/Yale tailpiece. Using the diagram below, locate the score mark on your tailpiece that matches your cylinder prep for the intended application, and break the tailpiece off accordingly.



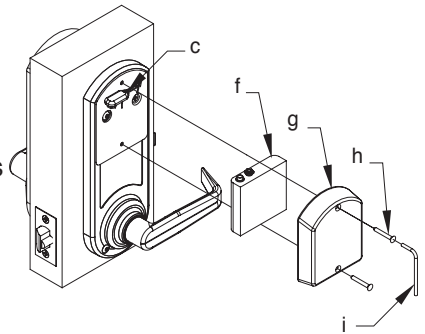
YALE 6 & 7 PIN, CYLINDRICAL - THIN DOOR (1 3/8" (35 mm) to 1 1/2" (38 mm)) (DO NOT SHORTEN TAILPIECE - For 1 5/8" (41 mm) to 2 1/4" (57 mm))

ASSA/MEDECO 5, 6 & 7 PIN, CYLINDRICAL - DO NOT SHORTEN TAILPIECE

- I-8 Using two pairs of pliers, break the tailpiece to the desired length of the intended application by holding one pair of pliers on the good side of the score mark and a second pair on the other side of the score mark. Slowly move the 2nd pair of pliers up and down until the unneeded portion of the tailpiece breaks free.
- I-9 Insert the Medeco tailpiece (e) vertically into the outside lever as shown. Make certain that you rotate the tailpiece slightly so that it will align with the interchangeable/removable cylinder. Insert the interchangeable/removable cylinder into the outside lever.

## J. INSTALLING THE BATTERY PACK AND COVER/ CHANGING BATTERIES

- J-1 To install the battery pack (f) and cover (g), snap the cable connector (c) onto the top of the battery pack. Then place the battery pack into the cover, terminals at the top. Put the two security screws (h) into the cover and fasten the cover to the inside housing with the security screw tool (i).

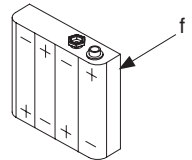


**Caution:** Over-tightening these screws could strip the threads in the housing or crack the cover.

**Warning:** If the lock goes without power for more than 2 minutes, you will lose the lock's current date and time only. If this happens, program the lock with current date and time. Refer to Operations Manual.

- J-2 To change batteries remove the two screws (h) from the battery cover (g) fastened to the top of the inside housing using the security screw tool (i) provided with your lock.

- J-3 Remove the four depleted batteries and install four new Alkaline (**only**) AA batteries. **Ensure that each battery is installed in the proper direction as shown at each battery location in the battery holder (f).**



**Warning:** Do not install a 9V battery. This E-PLEX lock operates on 4 alkaline **only** AA batteries (6V). A 9V will ruin the electronics in the lock and void the warranty.



- J-4** Reconnect the battery cable. Place the battery holder into the cover. Screw the back cover onto the inside housing, and ensure that the cable is not trapped under the edge of the cover.

**Caution:** Over-tightening these screws could strip the threads in the housing or crack the cover.

## **K. TESTING THE OPERATION OF THE LOCK**

- K-1** Rotate inside lever/knob and hold. Ensure that the latch is fully retracted and flush with the latch faceplate. Release the inside lever/knob; the latch should be fully extended.
- K-2** Enter the factory-set combination: 1,2,3,4,5,6,7,8. You should see a green light and hear a high pitched tone as you push each button. When the lock opens, you will briefly hear the sound of an electronic motor. If 1-2-3-4-5-6-7-8 does not seem to work, please follow the steps to perform a hard reset by following the procedure in section L.
- K-3** Rotate outside lever/knob and hold. Ensure that the latch is fully retracted and flush with the latch faceplate. Release the outside lever/knob; the latch should be fully extended. When the lock re-locks, you will again hear the motor.
- K-4** Insert key into the outside lever/knob. Rotate key counterclockwise to stop position and hold. Ensure that the latch is fully retracted and flush with the latch faceplate. Rotate key clockwise to horizontal position and remove key. The latch should be fully extended.

**Note:** Refer to the Operating Manual to set up lock operation.

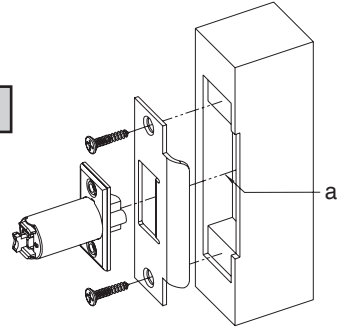
## L. PROGRAMMING AND SOFTWARE SETTINGS:

- L-1** You must change the master Code from the factory default to another code to program the lock. For further information on how to manually program the E-Plex 3x00/5x00 Series Models, refer to the companion “E-Plex 3x00/5x00 Operation Manual.” Software is required to program the E3200/E5200 Series Locks.
- L-2** When configuring the E3000/E5000 Series Locks using the optional Standard Software, choose the box that contains “Entry Lock with Passage (Cylindrical or Mortise without Deadbolt)” during lock setup.
- L-3** When configuring the E3200/3700 and E5200/E5700 Series Locks using the Enerprise Software, select the appropriate lock type during lock setup.

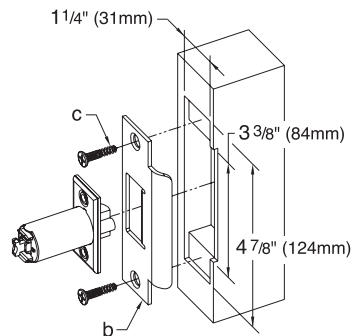
## M. INSTALLING THE STRIKE

**Note:** The latch and strike provided must be used.

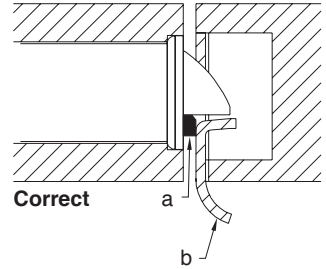
- M-1** Mark location of strike on the door frame, making certain that the strike opening is aligned (a) with latch bolt.



- M-2** Mortise doorframe for strike  $\frac{3}{32}$ " (3 mm) deep minimum to dimensions shown. Secure strike (b) to the door frame using two 1" (25 mm) combination screws (c) (supplied).

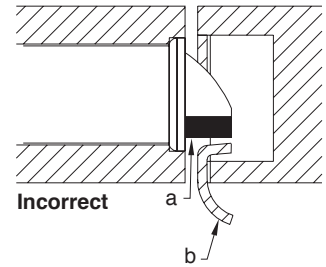


**Caution:** Check the operation of the latch by making sure that the deadlatch (a) stops against the strike (b) as shown and does not slide into the strike opening when the door is closed. If that situation occurs, then a total lockout may occur. This will void our warranty of the complete lock mechanism. If necessary, correct the door over-travel by using the rubber bumpers as described in Section N (Installing Rubber Bumpers).

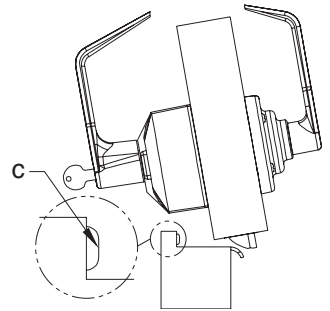


## N. INSTALLING RUBBER BUMPERS

**N-1** Close the door and apply pressure making sure the deadlatch (a) rests on the strike plate (b) as shown. Standing on the frame (door stop) side of the door, check for gaps between the door and the frame on the three sides of the frame (left, right, and top).



**N-2** Mark locations where the gaps are approximately  $\frac{3}{16}$ " (5 mm). Make sure these locations are free from grease and dust. Peel the bumpers (c) (supplied) from their protective backing without touching the adhesive surface and stick them on the marked locations.



**Note:** Allow 24 hours for adhesive to set before testing. The door may be operated normally during this time.



BEYOND SECURITY

Kaba Access & Data Systems Americas  
2941 Indiana Avenue  
Winston-Salem, NC 27105 USA  
Tel: (800) 849-8324 (336) 725-1331  
Fax: (800) 346-9640 (336) 725-3269

[www.kaba-adsamericas.com](http://www.kaba-adsamericas.com)

PKG2992 0314