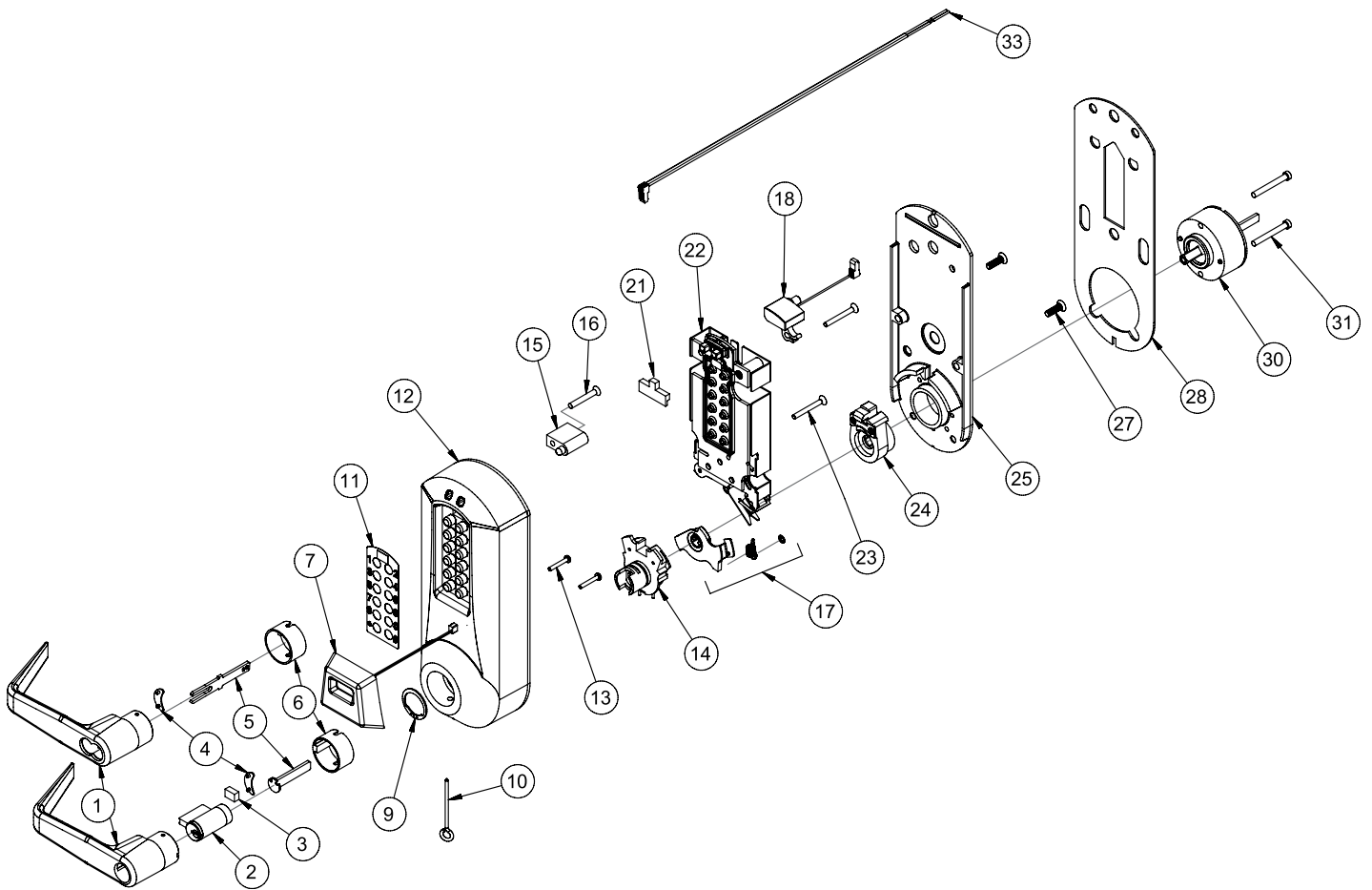




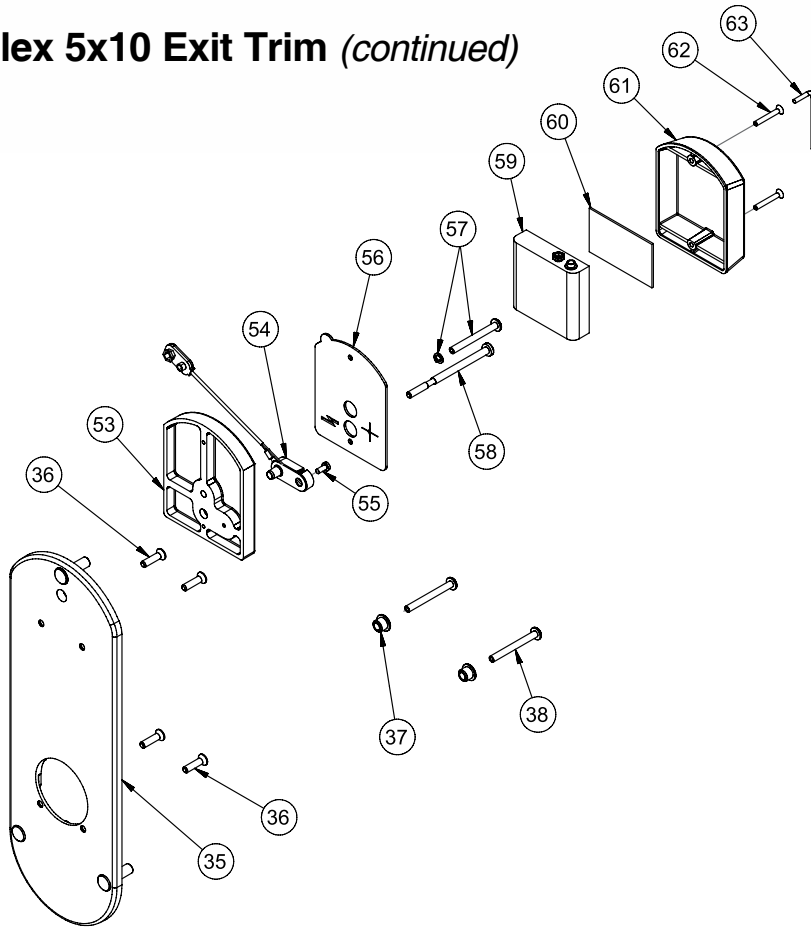
# E-plex 5x10 Exit Trim

E-plex®

**See inside front cover for  
How to Order instructions**



# E-plex 5x10 Exit Trim (continued)



E-Plex®

Item	Qty/Lock	Description	Finish	Part Number	List Price (USD)
1	1	Outside Lever, KIL (Includes 1 ea. #1, #3, #4, #6)	Satin Chrome	3422926D01	\$75.00
		Outside Lever, KIL (Includes 1 ea. #1, #3, #4, #6)	Bright Brass	342290301	\$75.00
		Outside Lever, KIL (Includes 1 ea. #1, #3, #4, #6)	Satin Brass	342290401	\$75.00
		Outside Lever, KIL (Includes 1 ea. #1, #3, #4, #6)	Dark Bronze	3422974401	\$75.00
		Outside Lever, KIL (Includes 1 ea. #1, #3, #4, #6)	Bright Chrome	3422902601	\$75.00
		Outside Lever, Schlage (Includes 1 ea. #1, #4, #6)	Satin Chrome	3423026D01	\$100.00
		Outside Lever, Schlage (Includes 1 ea. #1, #4, #6)	Bright Brass	342300301	\$100.00
		Outside Lever, Schlage (Includes 1 ea. #1, #4, #6)	Satin Brass	342300401	\$100.00
		Outside Lever, Schlage (Includes 1 ea. #1, #4, #6)	Dark Bronze	3423074401	\$100.00
		Outside Lever, Schlage (Includes 1 ea. #1, #4, #6)	Bright Chrome	3423002601	\$100.00
		Outside Lever, Corbin-Russwin (Includes 1 ea. #1, #4, #6)	Satin Chrome	3423126D01	\$100.00
		Outside Lever, Corbin-Russwin (Includes 1 ea. #1, #4, #6)	Bright Brass	342310301	\$100.00
		Outside Lever, Corbin-Russwin (Includes 1 ea. #1, #4, #6)	Satin Brass	342310401	\$100.00
		Outside Lever, Corbin-Russwin (Includes 1 ea. #1, #4, #6)	Dark Bronze	3423174401	\$100.00
		Outside Lever, Corbin-Russwin (Includes 1 ea. #1, #4, #6)	Bright Chrome	3423102601	\$100.00
		Outside Lever, Sargent (Includes 1 ea. #1, #4, #6)	Satin Chrome	3423226D01	\$100.00
		Outside Lever, Sargent (Includes 1 ea. #1, #4, #6)	Bright Brass	342320301	\$100.00
		Outside Lever, Sargent (Includes 1 ea. #1, #4, #6)	Satin Brass	342320401	\$100.00
		Outside Lever, Sargent (Includes 1 ea. #1, #4, #6)	Dark Bronze	3423274401	\$100.00
		Outside Lever, Sargent (Includes 1 ea. #1, #4, #6)	Bright Chrome	3423202601	\$100.00
		Outside Lever, Best (Includes 1 ea. #1, #4, #6)	Satin Chrome	3423326D01	\$100.00
		Outside Lever, Best (Includes 1 ea. #1, #4, #6)	Bright Brass	342330301	\$100.00

## E-plex 5x10 Exit Trim *(continued)*

Item	Qty/Lock	Description	Finish	Part Number	List Price (USD)
1	1	Outside Lever, Best (Includes 1 ea. #1, #4, #6)	Satin Brass	342330401	\$100.00
		Outside Lever, Best (Includes 1 ea. #1, #4, #6)	Dark Bronze	3423374401	\$100.00
		Outside Lever, Best (Includes 1 ea. #1, #4, #6)	Bright Chrome	3423302601	\$100.00
		Outside Lever, Assa/Medeco/Yale (Includes 1 ea. #1, #4, #6)	Satin Chrome	3423426D01	\$100.00
		Outside Lever, Assa/Medeco/Yale (Includes 1 ea. #1, #4, #6)	Bright Brass	342340301	\$100.00
		Outside Lever, Assa/Medeco/Yale (Includes 1 ea. #1, #4, #6)	Satin Brass	342340401	\$100.00
		Outside Lever, Assa/Medeco/Yale (Includes 1 ea. #1, #4, #6)	Dark Bronze	3423474401	\$100.00
		Outside Lever, Assa/Medeco/Yale (Includes 1 ea. #1, #4, #6)	Bright Chrome	3423402601	\$100.00
2	1	Kaba KIL Cylinder (w/keys), Keyed Different	Satin Chrome	5456226D01	\$38.00
		Kaba KIL Cylinder (w/keys), Keyed Different	Satin Brass	545620401	\$38.00
		Schlage KIL Cylinder (w/keys), Keyed Different	Satin Chrome	5456826D01	\$38.00
		Schlage KIL Cylinder (w/keys), Keyed Different	Satin Brass	545680401	\$38.00
		Kaba 90 Key Blank, 50/Box - Available from Ilco Division - Rocky Mount		KABA90	
3	1	Cylinder Keeper - Lever Sleeve Accessory Kit, KIL (Includes 1 ea. #3, #4, #6)		6470600001	\$14.00
4	1	Outside Lever Insert (10 Pack)		5452700010	\$10.00
5	1	Tailpiece Kit, KIL (Includes 5 various tailpieces) ET/Mortise		6474500001	\$16.00
		Tailpiece Kit, Best (6 and 7-pin) ET/Mortise		6474300001	\$12.00
		Tailpiece Kit, Corbin-Russwin/Sargent ET/Mortise		2452000001	\$12.00
		Tailpiece Kit, Schlage ET/Mortise		2452700001	\$12.00
		Tailpiece Kit, Assa/Medeco/Yale ET/Mortise		7483600001	\$12.00
6	1	Lever Sleeve - Lever Sleeve Accessory Kit, KIL (Includes 1 ea. #3, #4, #6)		6470600001	\$14.00
		Lever Sleeve - Lever Sleeve Accessory Kit, IC (Includes 1 ea. #4, #6)		6470700001	\$14.00
7	1	Antenna - E56xx models - Antenna Assembly Kit (Includes 1 ea #7; 2 ea. #13)		7540000001	\$48.00
		Antenna - E57xx models - Antenna Assembly Kit (Includes 1 ea #7; 2 ea. #13)		7511800001	\$48.00
		Antenna - E58xx and E59xx models - Antenna Assembly Kit (Includes 1 ea #7; 2 ea. #13)		7527500001	\$48.00
9	1	External Retaining Ring (10 Pack)		5451700010	\$10.00
10	1	Accessory Tool Kit (Includes 1 ea. #10, #63)		6471700001	\$10.00
11	1	Fascia - Keypad Label		055-51063801	\$10.00
12	1	Outside Housing Assembly - No Reader Models 5010/5210 models (Includes 1 ea. #11, #12, and code buttons)	Satin Chrome	7497926D01	\$140.00
		Outside Housing Assembly - No Reader Models 5010/5210 models (Includes 1 ea. #11, #12, and code buttons)	Bright Brass	749790301	\$140.00
		Outside Housing Assembly - No Reader Models 5010/5210 models (Includes 1 ea. #11, #12, and code buttons)	Satin Brass	749790401	\$140.00
		Outside Housing Assembly - No Reader Models 5010/5210 models (Includes 1 ea. #11, #12, and code buttons)	Dark Bronze	7497974401	\$140.00
		Outside Housing Assembly - No Reader Models 5010/5210 models (Includes 1 ea. #11, #12, and code buttons)	Wrinkle Black	7497908301	\$140.00
		Outside Housing Assembly - No Reader Models 5010/5210 models (Includes 1 ea. #11, #12, and code buttons)	Bright Chrome	7497902601	\$140.00

## E-plex 5x10 Exit Trim (continued)

Item	Qty/Lock	Description	Finish	Part Number	List Price (USD)
12	1	Outside Housing Assembly - Reader Models 5610/5710/5810/5910 models (Includes 1 ea. #11, #12, and code buttons)	Satin Chrome	751572601	\$150.00
		Outside Housing Assembly - Reader Models 5610/5710/5810/5910 models (Includes 1 ea. #11, #12, and code buttons)	Bright Brass	751570301	\$150.00
		Outside Housing Assembly - Reader Models 5610/5710/5810/5910 models (Includes 1 ea. #11, #12, and code buttons)	Satin Brass	751570401	\$150.00
		Outside Housing Assembly - Reader Models 5610/5710/5810/5910 models (Includes 1 ea. #11, #12, and code buttons)	Dark Bronze	7515774401	\$150.00
		Outside Housing Assembly - Reader Models 5610/5710/5810/5910 models (Includes 1 ea. #11, #12, and code buttons)	Wrinkle Black	7515708301	\$150.00
		Outside Housing Assembly - Reader Models 5610/5710/5810/5910 models (Includes 1 ea. #11, #12, and code buttons)	Bright Chrome	7515702601	\$150.00
13	2	Screw, 4-40 x .750, Pan, Patch-lock - Antenna Screw (10 Pack)		5461600010	\$10.00
14	1	Outside Driver Assembly (Includes 1 ea. #9, #14)		7520000001	\$36.00
15	1	Mounting Block Kit (Includes 1 ea. #15, #16)		3427400001	\$9.00
16	1	Screw, 8-32 x 1 1/4" for Mounting Block (10 Pack)		5457400010	\$10.00
17	1	Key Override Detector Kit (Includes detector, spring and spring retainer)		3430800001	\$10.00
18	1	Outside Terminal Block Assembly (Includes 1 ea. #15, #16)		7499800001	\$24.00
21	1	"T" Guard for Remote Release		3428200001	\$12.00
22	1	Electronic Module Kit for E50xx models (Includes 1 ea. #22, #28; 2 ea. #23)		6470000001	\$325.00
		Electronic Module Kit for E52xx models (Includes 1 ea. #22, #28; 2 ea. #23)		6475900001	\$400.00
		Electronic Module Kit for E56xx models (Includes 1 ea. #22, #28; 2 ea. #23)		6480900001	\$580.00
		Electronic Module Kit for E57xx models (Includes 1 ea. #22, #28; 2 ea. #23)		6476000001	\$500.00
		Electronic Module Kit for E58xx models (Includes 1 ea. #22, #28; 2 ea. #23)		6480400001	\$580.00
		Electronic Module Kit for E59xx models (Includes 1 ea. #22, #28; 2 ea. #23)		6480500001	\$580.00
23	2	Screw, 6-32 X 1 1/4" - Module Screw (10 Pack)		5458300010	\$10.00
24	1	Extension Sleeve Assembly		7512000001	\$28.00
25	1	Universal Outside Base		3432800001	\$40.00
27	2	Screw, #10-24 x .625" Phillips, Outside Base (10 Pack)		5446100010	\$10.00
28	1	Outside Base Moisture Barrier		5458800001	\$9.00
30	1	Exit Trim Drive Unit		7496800001	\$45.00
31	2	Screw, Phillips 8-32 X 1 3/8" (35 mm) Connecting Screw, Spacer Kit (Includes 2 ea. #30, and a 1/4" spacer)		6471200001	\$10.00
		Screw, Phillips 8-32 X 1 5/8" (41 mm) Connecting Screw, Spacer Kit (Includes 2 ea. #30, and a 1/4" spacer)		6471200001	\$10.00
33	1	Remote Unlock Cable - Remote Unlock Cable Kit		7510500001	\$40.00
35	1	Universal Mounting Plate (Includes Fixed Sex Nuts)	Wrinkle Black	7524608301	\$46.00
36	4	Outside Base Screw Kit (10 Pack)		5459700010	\$10.00
37	2	Mounting Bushing (10 Pack)	Black	4422906810	\$10.00
38	2	Mounting Screw - Installation Hardware Kit (Includes 1 ea. #57, #58; 2 ea. #31, #37, #38; 4 ea. #36)	Satin Chrome	6473226D01	\$30.00

## E-plex 5x10 Exit Trim *(continued)*

Item	Qty/Lock	Description	Finish	Part Number	List Price (USD)
38	2	Mounting Screw - Installation Hardware Kit (Includes 1 ea. #57, #58; 2 ea. #31, #37, #38; 4 ea. #36)	Bright Brass	647320301	\$30.00
53	1	Battery Mounting Plate	Wrinkle Black	3427108301	\$18.00
54	1	Inside Terminal Block - Inside Terminal Block Kit (Includes 1 ea. #54, #55, #56)		6480300001	\$24.00
55	1	Screw, Inside Pan hd Phil 6-32 x 5/16" MS (10 Pack)		5457800010	\$10.00
56	1	Mounting Plate Gasket - Inside Terminal Block Kit (Includes 1 ea. #54, #55, #56)		6480300001	\$24.00
57	1	Ground Screw with Washer - Installation Hardware Kit (Includes 1 ea. #57, #58; 2 ea. #31, #37, #38; 4 ea. #36)	Satin Chrome	6473226D01	\$30.00
		Ground Screw with Washer - Installation Hardware Kit (Includes 1 ea. #57, #58; 2 ea. #31, #37, #38; 4 ea. #36)	Bright Brass	647320301	\$30.00
58	1	Lectro Bolt - Installation Hardware Kit (Includes 1 ea. #57, #58; 2 ea. #31, #37, #38; 4 ea. #36)	Satin Chrome	6473226D01	\$30.00
		Lectro Bolt - Installation Hardware Kit (Includes 1 ea. #57, #58; 2 ea. #31, #37, #38; 4 ea. #36)	Bright Brass	647320301	\$30.00
59	1	Battery Pack (Includes 4 Alkaline "ONLY" AA Batteries)		5456000001	\$14.00
60	1	Battery Pad - Battery Cover Kit (Includes 1 ea. #60, #61)		6471500001	\$10.00
61	1	Battery Cover - Battery Cover Kit (Includes 1 ea. #60, #61)		6471500001	\$10.00
		Battery Pack and Cover Kit (Includes 1 ea. #59, #60, #61, #63; 2 ea. #62)		6472300001	\$34.00
62	2	Battery Cover Screws (Tamper Proof) (10 Pack)		5455400010	\$12.00
63	1	Accessory Tool Kit (Includes 1 ea. #10, #63)		6471700001	\$10.00

### Additional Kits and Accessories

	Installation Hardware Kit (Includes 1 ea. #57, #58; 2 ea. #31, #37, #38; 4 ea. #36)	Satin Chrome	6473226D01	\$30.00
	Installation Hardware Kit (Includes 1 ea. #57, #58; 2 ea. #31, #37, #38; 4 ea. #36)	Bright Brass	647320301	\$30.00
	Product Documentation Kit		PKG3112	\$15.00
	Lever Return Spring (Fits Outside and Inside Drivers) (10 Pack)		5448200010	\$20.00
	Lubriplate Aero Grease Tubes		6475400001	\$13.00
	E-Plex 5000 Standard Software Kit (Includes PC M-unit kit and software discs) (Excel-Based Templates) (300 users per lock)		EP-0300-001	*
	E-Plex 5200/5700 Enterprise Software Kit (Includes PC M-unit kit and software discs) (3,000 users per lock)		EP-EPRISE1-001	*
	E-Plex 5200/5700 Enterprise Demo Software (90 day expiry)		EP-EPRISE-DEMO	*
	E-Plex 5700 USB Prox Reader/Enroller		5456100041	*
	E-Plex 5800 FIPS/DESFire Card Reader/Enroller		120-ENFIPS-000	*
	E-Plex 5800 OCSP FIPS Software		EP-OCSP-FIPS-SW	*
	E-Plex 5800 General FIPS Software		EP-GEN-FIPS-SW	*
	HID Proxcard II Proximity Access Card #1326M - Not Printable, with Slot (minimum order 100 pcs)		065-101066	*
	HID ISO Prox II Card (PVC-31 mils) #1336 - Printable, NO Slot (minimum 100 pcs)		065-507143	*

## E-plex 5x10 Exit Trim *(continued)*

### Additional Kits and Accessories

	HID DuoProx (PVC-31 mils) High C/Proximity #1336 - Printable, NO Slot (minimum 100 pcs)		065-507144	*
	HID Prox KEY II #1346 (FOB) (minimum order 100 pcs)		120-508051	*
	MicroProx Tag Proximity #1391 (Adhesive Backed Disc) (minimum order 100 pieces)		065-511072	*
	DESFire 2K Smart Card (for use with 3600/5600/5800)		352-DESFIR-02K	*
	Wrap Plate, 10.5" (267mm) x 5" (127mm)	Satin Chrome	20423126D41	\$60.00
	Wrap Plate, 10.5" (267mm) x 5" (127mm)	Bright Brass	2042310341	\$60.00
	Wrap Plate, 15" (381mm) x 5" (127mm)	Satin Chrome	20423226D41	\$85.00
	Wrap Plate, 15" (381mm) x 5" (127mm)	Bright Brass	2042320341	\$85.00
	Best Equivalent Small Format Interchangeable Core	Satin Chrome	20148426D01	\$55.00
	Best Equivalent Small Format Interchangeable Core	Bright Brass	2014840301	\$55.00
	Installation Jig (for use with E5000/5000/1000/L1000)		6468426D01	\$350.00
	Weather Cover (1000/L1000/5000/E5000)		5464400041	\$50.00
	E-Plex 5x10 Exit Trim Wood Demo Mount (lock not included)		20305600041	\$143.00

\* For software and software related accessories, see the KABA Access Control Price Catalog or visit our website [www.kabaaccess.com](http://www.kabaaccess.com)