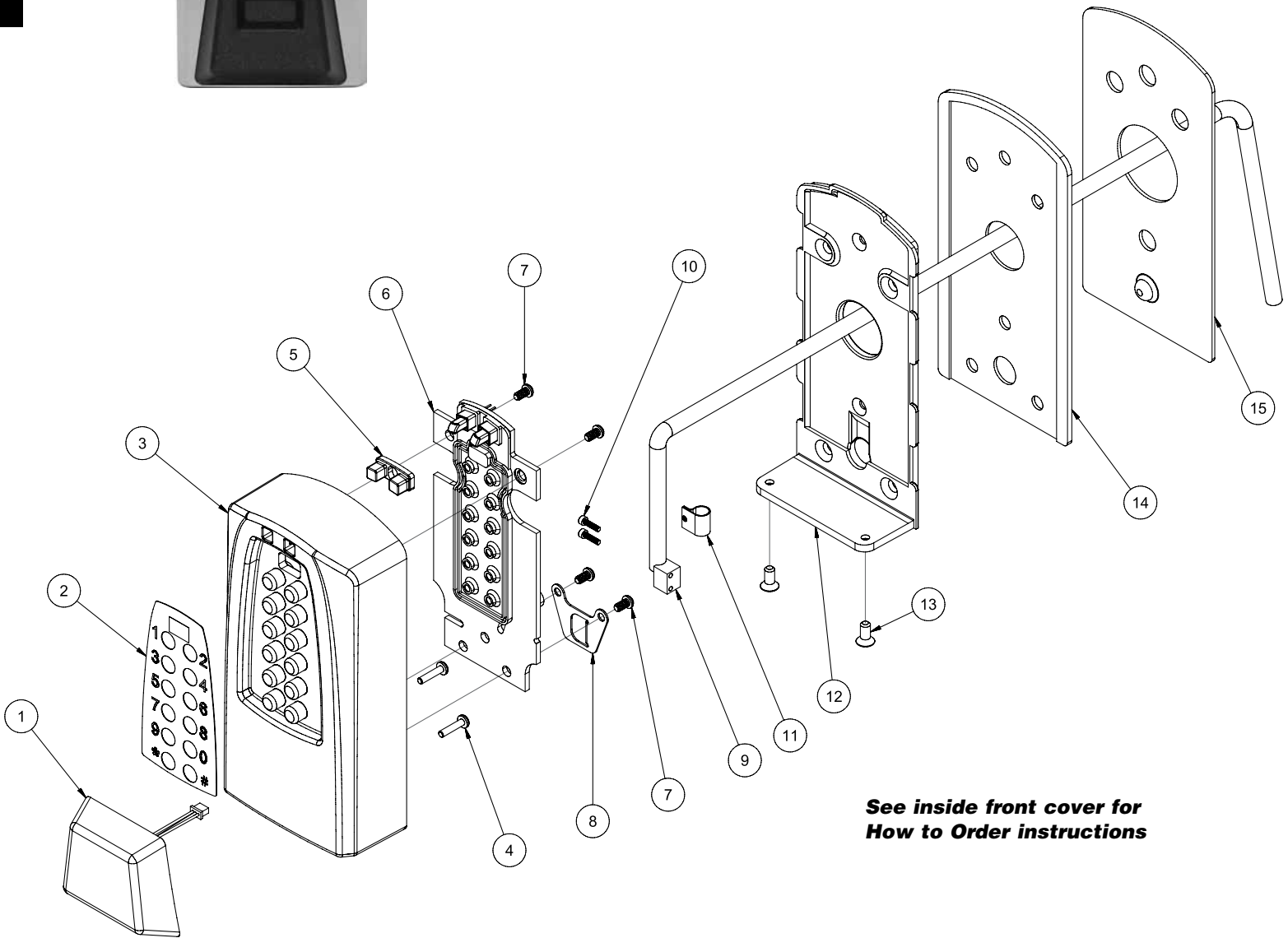




E-Plex®

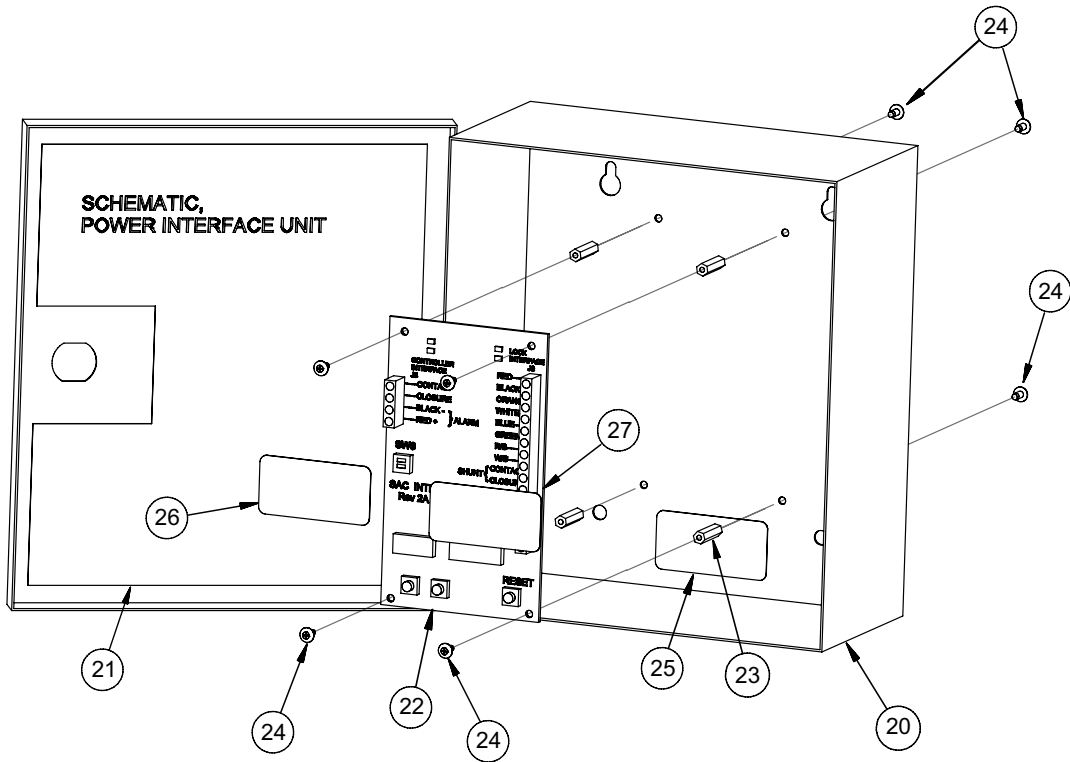


E-Plex 5x70 SAC



**See inside front cover for
How to Order instructions**

E-Plex 5x70 SAC (continued)



E-Plex®

Item	Qty/Lock	Description	Finish	Part Number	List Price (USD)
1	1	Antenna Cover Assembly, E5670 Only	Black	7540100001	\$48.00
		Antenna Cover Assembly, E5770 Only	Black	7538200001	\$48.00
		Antenna Cover Assembly, E5870/E5970 Only	Black	7538300001	\$48.00
2	1	Fascia (E5x70 Models Only)		5476400001	\$10.00
3	1	Outside Housing Assembly, (NO Reader Models - 5070/5270) (Includes 1 ea. #2, #3, and code buttons)	Satin Chrome	7534626D01	\$140.00
		Outside Housing Assembly, (NO Reader Models - 5070/5270) (Includes 1 ea. #2, #3, and code buttons)	Bright Brass	753460301	\$140.00
		Outside Housing Assembly, (NO Reader Models - 5070/5270) (Includes 1 ea. #2, #3, and code buttons)	Satin Brass	753460401	\$140.00
		Outside Housing Assembly, (NO Reader Models - 5070/5270) (Includes 1 ea. #2, #3, and code buttons)	Dark Bronze	7534674401	\$140.00
		Outside Housing Assembly, (NO Reader Models - 5070/5270) (Includes 1 ea. #2, #3, and code buttons)	Wrinkle Black	7534608301	\$140.00
		Outside Housing Assembly, (NO Reader Models - 5070/5270) (Includes 1 ea. #2, #3, and code buttons)	Bright Chrome	7534602601	\$140.00

E-Plex 5x70 SAC (continued)

Item	Qty/Lock	Description	Finish	Part Number	List Price (USD)
3	1	Outside Housing Assembly, (Reader Models 5670/5770/5870/5970) (Includes 1 ea. #2, #3 and code buttons)	Satin Chrome	7534226D01	\$150.00
		Outside Housing Assembly, (Reader Models 5670/5770/5870/5970) (Includes 1 ea. #2, #3 and code buttons)	Bright Brass	753420301	\$150.00
		Outside Housing Assembly, (Reader Models 5670/5770/5870/5970) (Includes 1 ea. #2, #3 and code buttons)	Satin Brass	753420401	\$150.00
		Outside Housing Assembly, (Reader Models 5670/5770/5870/5970) (Includes 1 ea. #2, #3 and code buttons)	Dark Bronze	7534274401	\$150.00
		Outside Housing Assembly, (Reader Models 5670/5770/5870/5970) (Includes 1 ea. #2, #3 and code buttons)	Wrinkle Black	7534208301	\$150.00
		Outside Housing Assembly, (Reader Models 5670/5770/5870/5970) (Includes 1 ea. #2, #3 and code buttons)	Bright Chrome	7534202601	\$150.00
4	2	Screw, 4-40 x .325", Pan Hd, Patch lock - Antenna Screw (10 Pack)		5461500010	\$10.00
5	1	Light Guide (Covers PCB Module LEDs)		5477300001	\$10.00
6	1	PCB Module (E5070 Only)		7534700001	\$250.00
		PCB Module (E5270 Only)		7535000001	\$320.00
		PCB Module (E5670 Only)		7540700001	\$480.00
		PCB Module (E5770 Only)		7534400001	\$410.00
		PCB Module (E5870 Only)		7535300001	\$480.00
		PCB Module (E5970 Only)		7535600001	\$480.00
7	4	Screw, #6 x 1/4", Phillips, Pan Hd (10 Pack)		5476600010	\$10.00
8	1	Switch Bracket		5476300001	\$7.00
9	1	Interface Cable with Micro Switch - Lock Interface Cable Kit (Includes 1 ea. #8, #9, #11; 2 ea. #10)		5474800001	\$64.00
10	2	Screw, M2 - 10MM, ISO Hex Socket Head (10 Pack)		5477600010	\$8.00
11	1	Cable Clamp, Nylon (5 Pack)		5477500005	\$10.00
12	1	Housing Base Plate		3431800001	\$40.00
13	2	Screw, 6-32 x 3/8", Pinned Torx (2 Pack)		5473700001	\$10.00
14	1	Housing Base Plate Moisture Barrier		5476800001	\$9.00
15	1	Housing Mounting Shim		5477700001	\$10.00
16	1	Pinned Torx Tool (not shown) - Included in Accessory Tool Kit		6471700001	\$10.00
20	1	Steel Enclosure for Power Interface Unit (Box Only), E5x70		9400300001	\$70.00
		PIU - Power Interface Unit Assembly, Complete E5x70 (Includes 1 ea. #20, #21, #22, #25, #26, #27; 4 ea. #23; 8 ea. #24)		7534300001	\$300.00
21	1	Label, PIU Schematic - Warning Label Kit (Includes 1 ea. #21, #25, #26, #27)		SAC-LABEL-001	\$8.00
22	1	Interface Board - Interface Board Kit (Includes 1 ea. #21, #22, #25, #26, #27; 4 ea. #23; 8 ea. #24)		9400200001	\$220.00
23	4	Standoffs, .750, #4-40 - Interface Board Mounting Kit (Includes 4 ea. #23; 8 ea. #24)		5477100001	\$10.00
24	8	Screw, 4-40 x 1/4" Phillips, Truss - Interface Board Mounting Screws (10 Pack)		5463100010	\$8.00
25	1	Label, Call - Do Not Return - Warning Label Kit (Includes 1 ea. #21, #25, #26, #27)		SAC-LABEL-001	\$8.00
26	1	Label, Voltage Warning - Warning Label Kit (Includes 1 ea. #21, #25, #26, #27)		SAC-LABEL-001	\$8.00

E-Plex 5x70 SAC (continued)

Item	Qty/Lock	Description	Finish	Part Number	List Price (USD)
27	1	Label, Shunt Type Warning - Warning Label Kit (Includes 1 ea. #21, #25, #26, #27)		SAC-LABEL-001	\$8.00
28	1	Cam lock, Keyturn with Clip 5/8", 1/2" Offset (not shown)	Satin Chrome	L-33803F-01-018KA	\$12.00
		Cam lock, Thumbturn with Clip 5/8", 1/2" Offset (not shown)	Satin Chrome	A5831-Z-14-01	\$12.00

Additional Kits and Accessories

		Literature Kit, E5070 SAC		PKG3246	\$15.00
		Literature Kit, E5270 SAC		PKG3247	\$15.00
		Literature Kit, E5770 SAC		PKG3276	\$15.00
		Literature Kit, E5870 SAC		PKG3286	\$15.00
		Literature Kit, E5970 SAC		PKG3239SAC	\$15.00
		E-Plex 5000 Standard Software Kit (Includes PC M-unit kit and software discs) (Excel-Based Templates) (300 users per lock)		EP-0300-001	*
		E-Plex 5200/5700 Enterprise Software Kit (Includes PC M-unit kit and software discs) (3,000 users per lock)		EP-EPRISE1-001	*
		E-Plex 5200/5700 Enterprise Demo Software (90 day expiry)		EP-EPRISE-DEMO	*
		E-plex 5700 USB Prox Reader/Enroller		5456100041	*
		E-Plex 5800 FIPS/DESFire Card Reader/Enroller		120-ENFIPS-000	*
		E-Plex 5800 OCSP FIPS Software		EP-OCSP-FIPS-SW	*
		E-Plex 5800 General FIPS Software		EP-GEN-FIPS-SW	*
		HID Proxcard II Proximity Access Card #1326M - Not Printable, with Slot (minimum order 100 pcs)		065-101066	*
		HID ISO Prox II Card (PVC-31 mils) #1336 - Printable, NO Slot (minimum 100 pcs)		065-507143	*
		HID DuoProx (PVC-31 mils) High C/Proximity #1336 - Printable, NO Slot (minimum 100 pcs)		065-507144	*
		HID Prox KEY II #1346 (FOB) (minimum order 100 pcs)		120-508051	*
		MicroProx Tag Proximity #1391 (Adhesive Backed Disc) (minimum order 100 pieces)		065-511072	*
		DESFire 2K Smart Card (for use with 3600/5600/5800)		352-DESFIR-02K	*

* For software and software related accessories, see the KABA Access Control Price Catalog or visit our website www.kabaaccess.com