



# Drop Plates



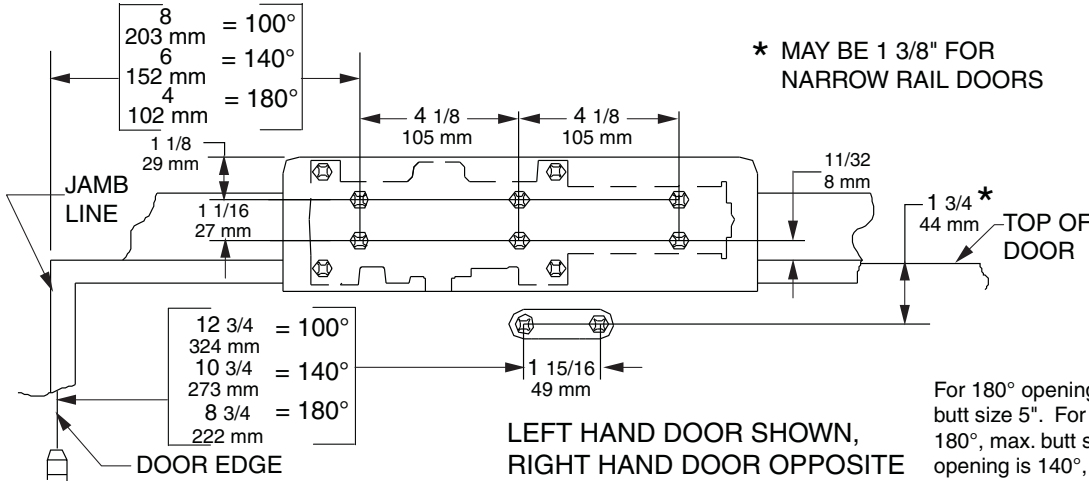
28500

4020, 4020T

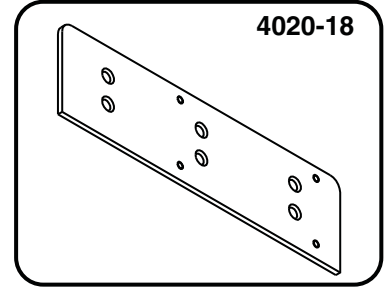
Installation Instructions

## 4020 PUSH SIDE (TOP JAMB) DROP PLATE

PERMITS 180° MAXIMUM OPENING



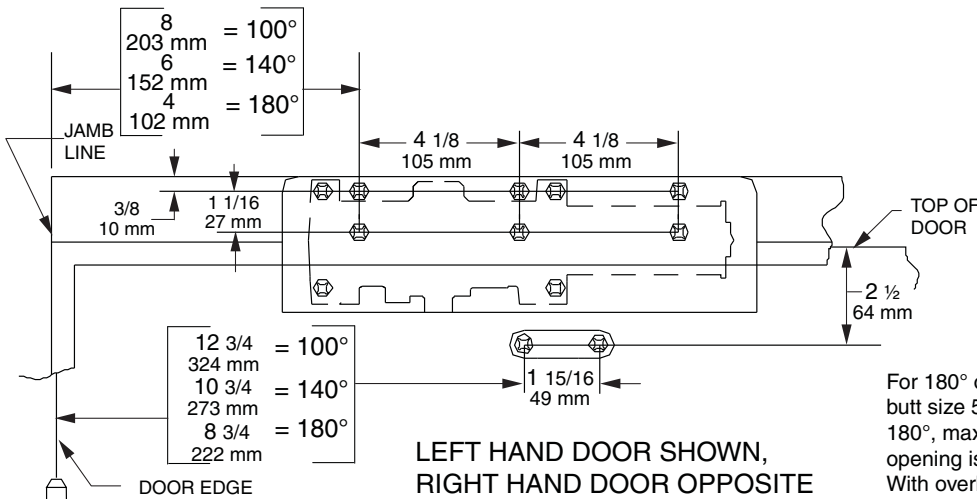
### PUSH SIDE MOUNT ON: 4020-18 DROP PLATE



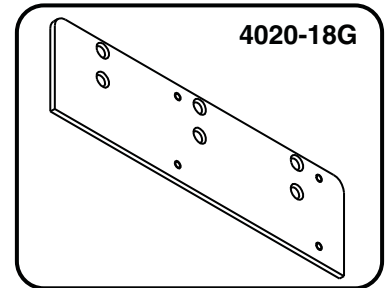
For 180° opening, frame width cannot exceed 4 1/2 max. butt size 5". For reveals up to 2 9/16 regular arm permits 180°, max. butt size 5". For reveals 2 9/16 to 4 13/16 max. opening is 140°, regular, H-90 & F.L. arms.

## 4020 PUSH SIDE (TOP JAMB) DROP PLATE

PERMITS 180° MAXIMUM OPENING



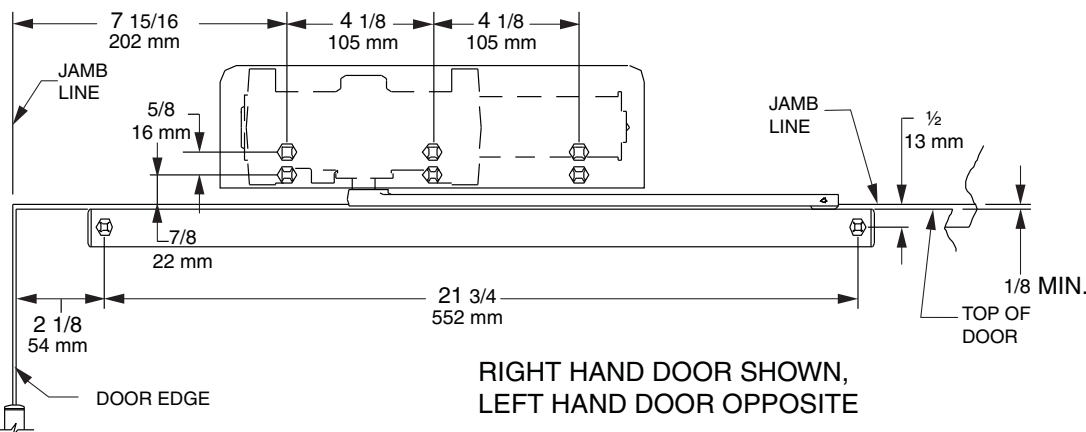
### PUSH SIDE MOUNT ON: 4020-18G DROP PLATE



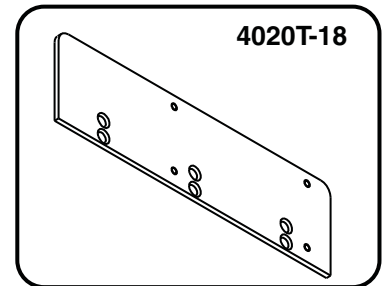
For 180° opening, frame width cannot exceed 4 1/2 max. butt size 5". For reveals up to 2 9/16 regular arm permits 180°, max. butt size 5". For reveals 2 9/16 to 4 13/16 max. opening is 140°, regular, H-90 & F.L. arms. With overhead stops, shoe must be lowered to clear holder.

## 4020T PULL SIDE (TOP JAMB) DROP PLATE

PERMITS 180° MAXIMUM OPENING



### PULL SIDE MOUNT ON: 4020T-18 DROP PLATE



RIGHT HAND DOOR SHOWN,  
LEFT HAND DOOR OPPOSITE

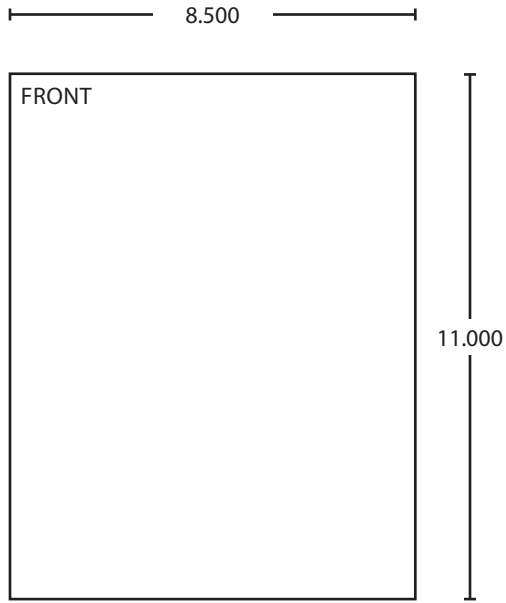
### Customer Service

1-877-671-7011

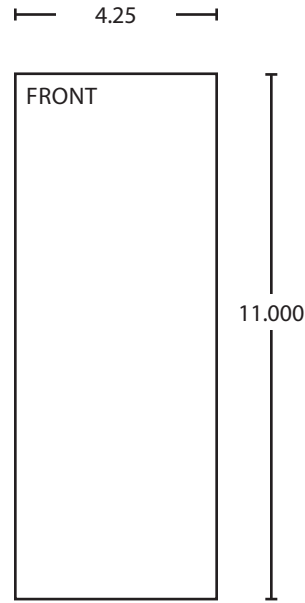
www.allegion.com/us



© Allegion 2014  
Printed in U.S.A.  
28500 Rev. 01/14-f



BEGINNING SHEET



FOLDED SHEET

Additional Notes:
1. None

Revision History						Revision Description: F > Revised artwork					
A	B	C	D	E	F						
N/A	N/A	N/A	N/A	N/A	043812						
Material						Edited By		Approved By		EC Number	Release Date
White Paper						R. Byun		M. Sasso		043812	01-01-14
Notes						Title					
1. printed one side						4020 Series Drop Plate Instruction Sheet					
2. printed black						Creation Date		Number		Revision	
3. tolerance $\pm .13$						04-27-10		28500		F	
4. printed in country may vary						Created By		Activity		© Allegion 2014	
5. drawings not to scale						N/A		3899 Hancock Expwy Security, CO 80911			
						Software: InDesign CS6					