



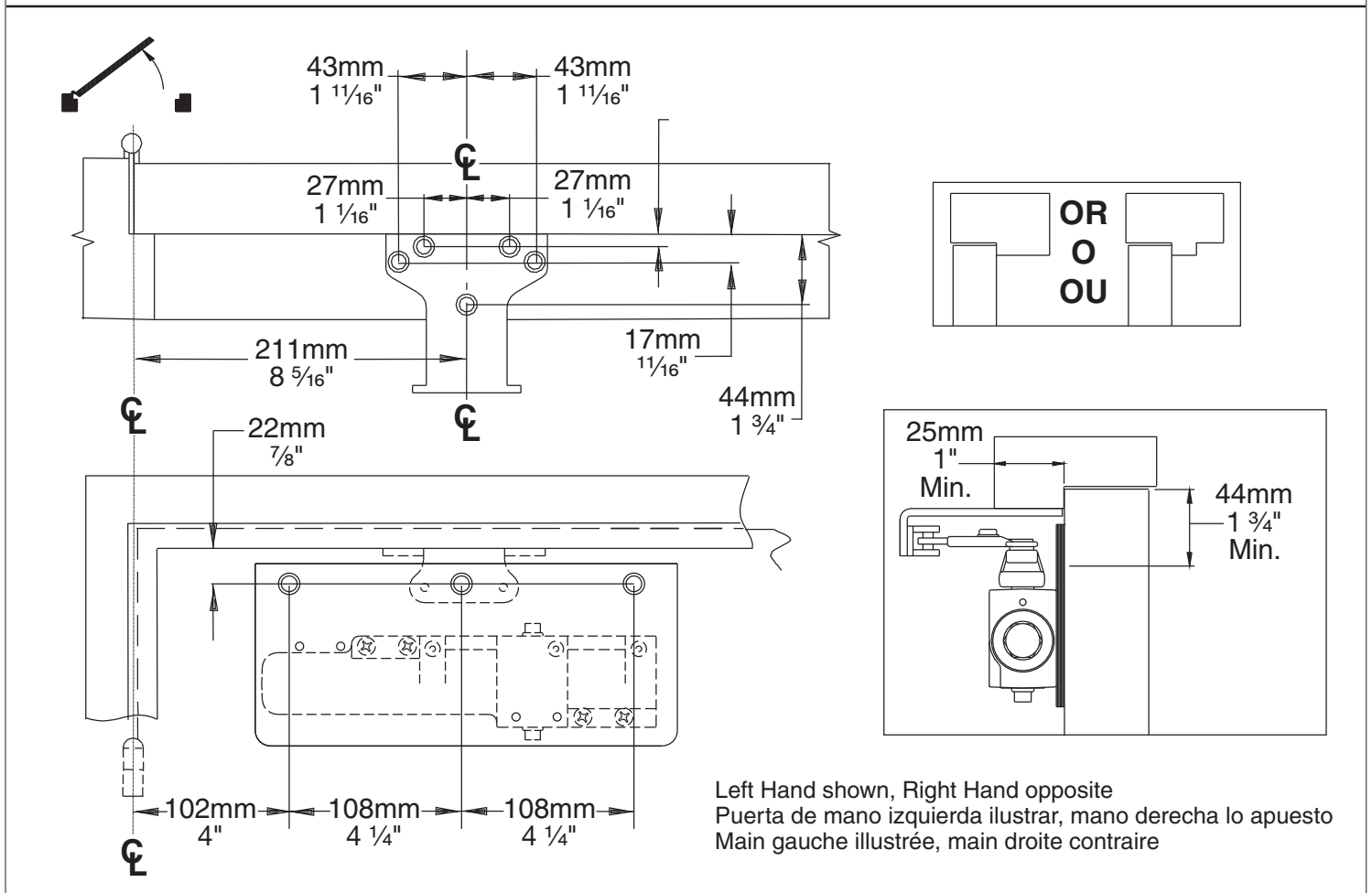
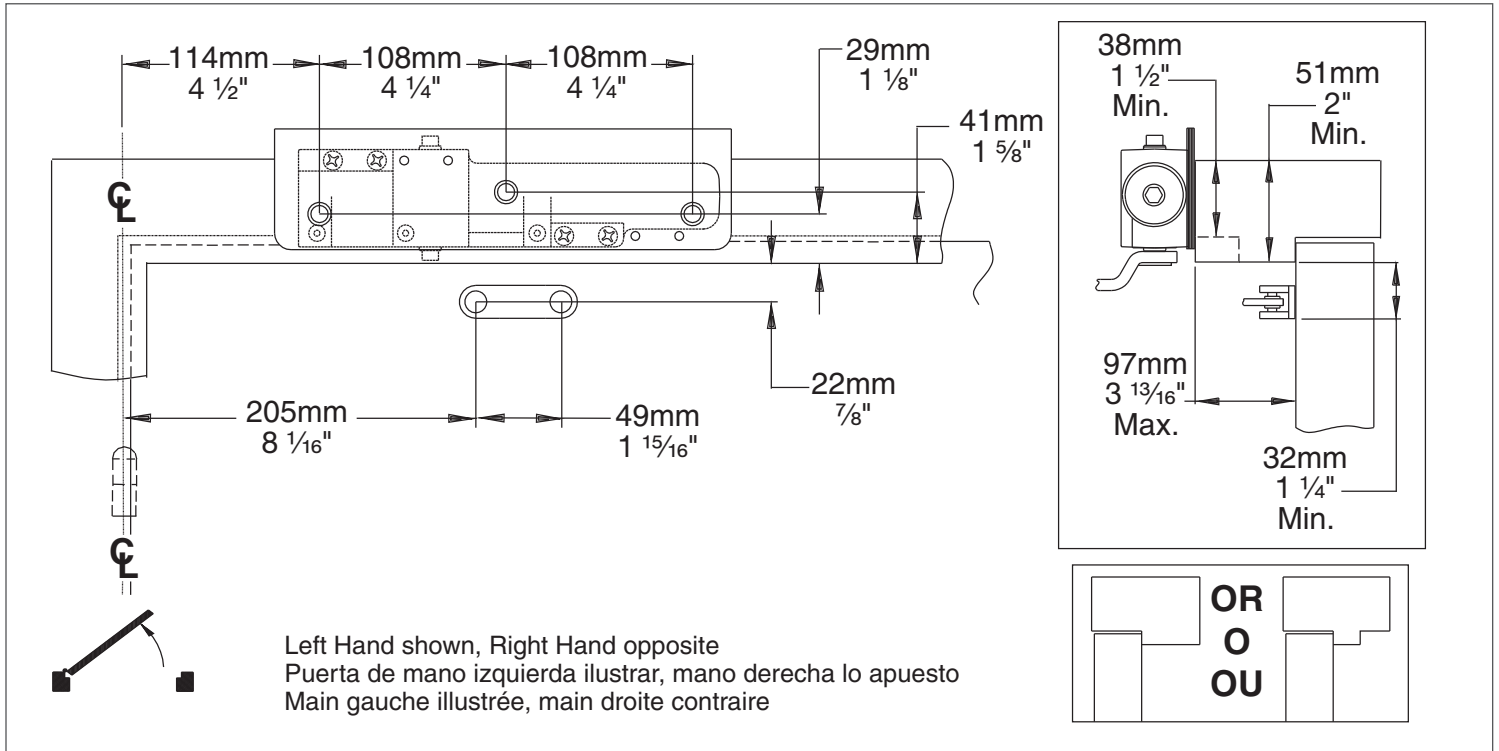
26125

Drop Plate

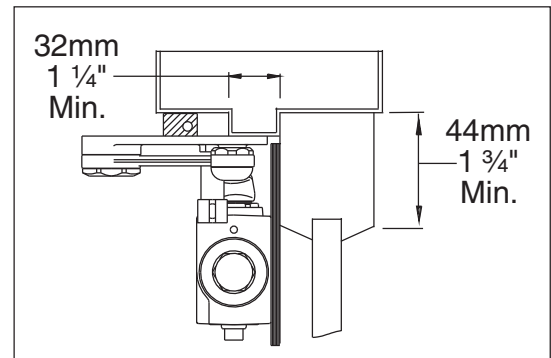
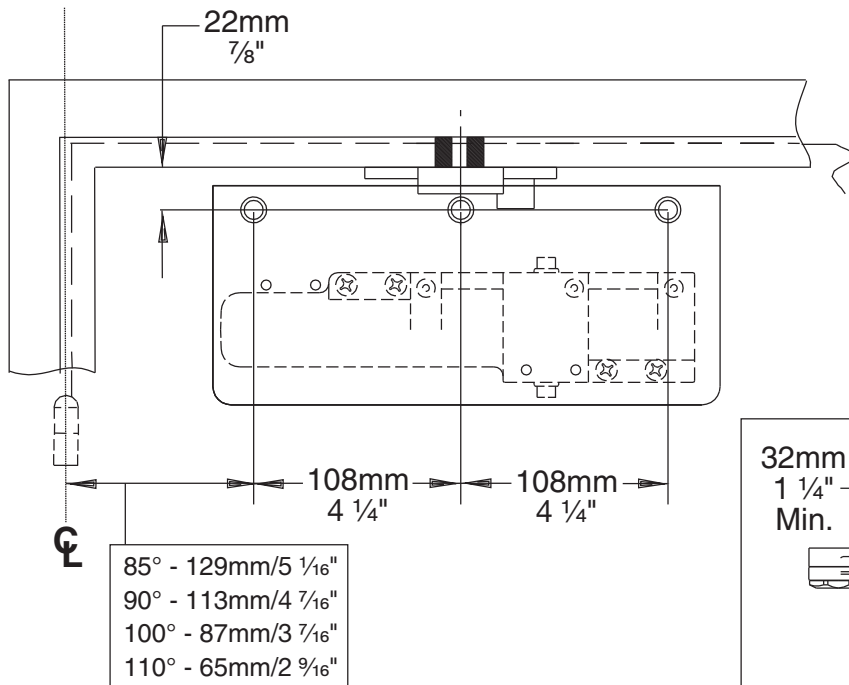
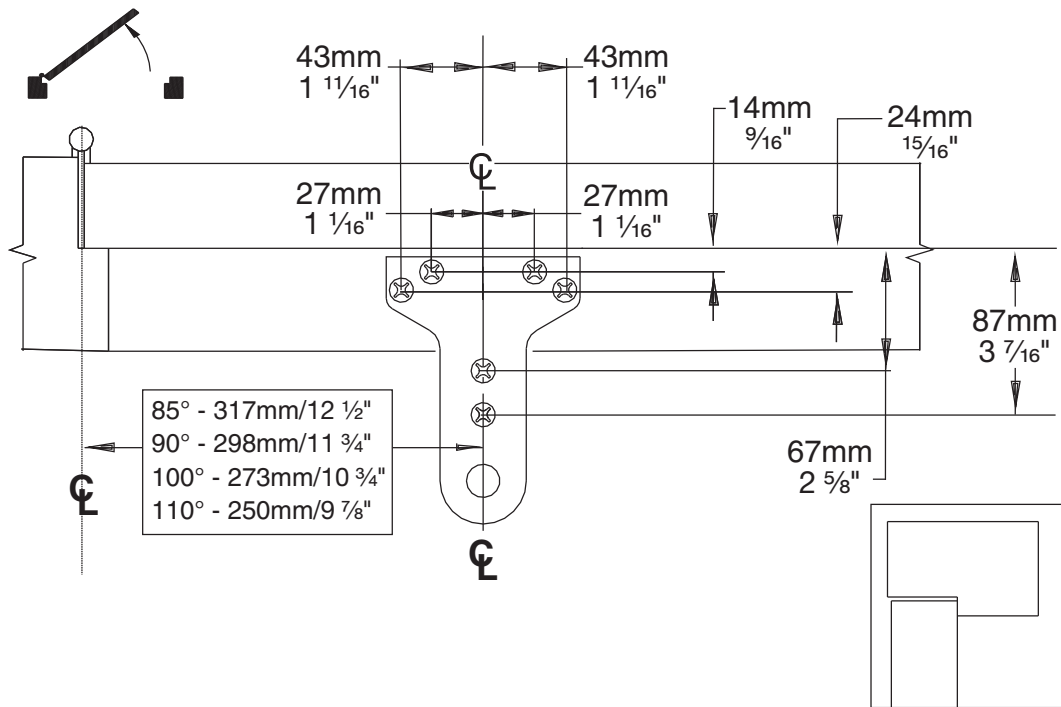
LCN®

Adapter Plate Template
Instalada en la placa inferior
Une plaque de plafond

Drop Plate



Spring Cush



Left Hand shown, Right Hand opposite
 Puerta de mano izquierda ilustrar, mano derecha lo apuesto
 Main gauche illustrée, main droite contraire

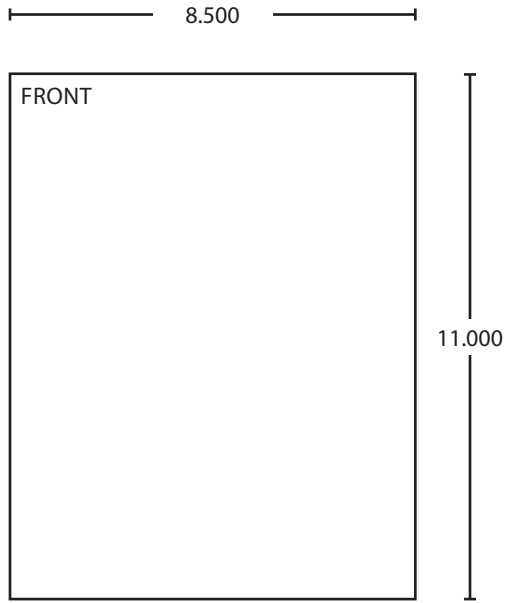
Customer Service Servicio al cliente Service à la clientèle

1-877-671-7011

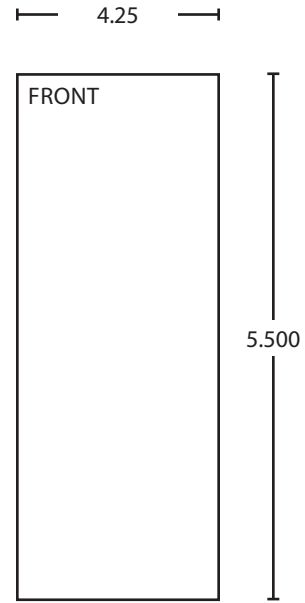
www.allegion.com/us



© Allegion 2014
 Printed in U.S.A.
 26125 Rev. 06/14-f



BEGINNING SHEET



FOLDED SHEET

Additional Notes:
1. None

Revision History						Revision Description: F > Revised artwork					
A	B	C	D	E	F						
N/A	N/A	N/A	N/A	N/A	XXXXX						
Material White Paper						Edited By D. Myers		Approved By M. Sasso		EC Number xxxxx	Release Date 06-09-14
Notes 1. printed two sides 2. printed black 3. tolerance ± .13 4. printed in country may vary 5. drawings not to scale						Title 524 & 1521 Series Drop Plate Instruction Sheet					
						Creation Date N/A		Number 26125			Revision F
						Created By N/A		Activity 3899 Hancock Expwy Security, CO 80911			© Allegion 2014
						Software: InDesign CS6					