



28501

Drop Plates

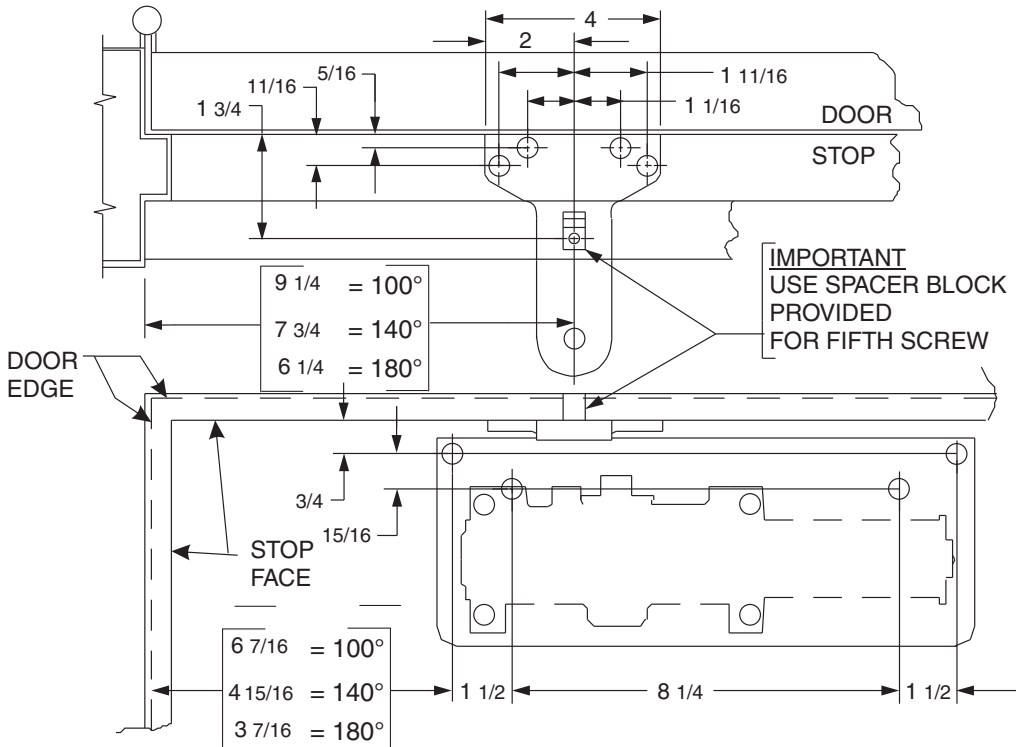
LCN®

4110, 4110 Cush, 4210, 4210 Cush, 4110T, 4210T

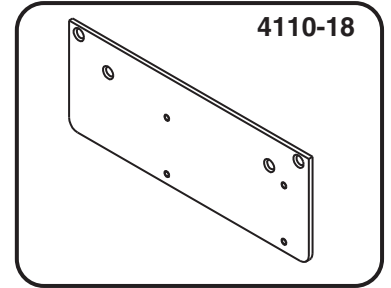
Templates

4110 PUSH SIDE (DOOR MOUNT) DROP PLATE

PERMITS 180° MAXIMUM OPENING



**PUSH SIDE MOUNT ON:
4110-18 DROP PLATE**

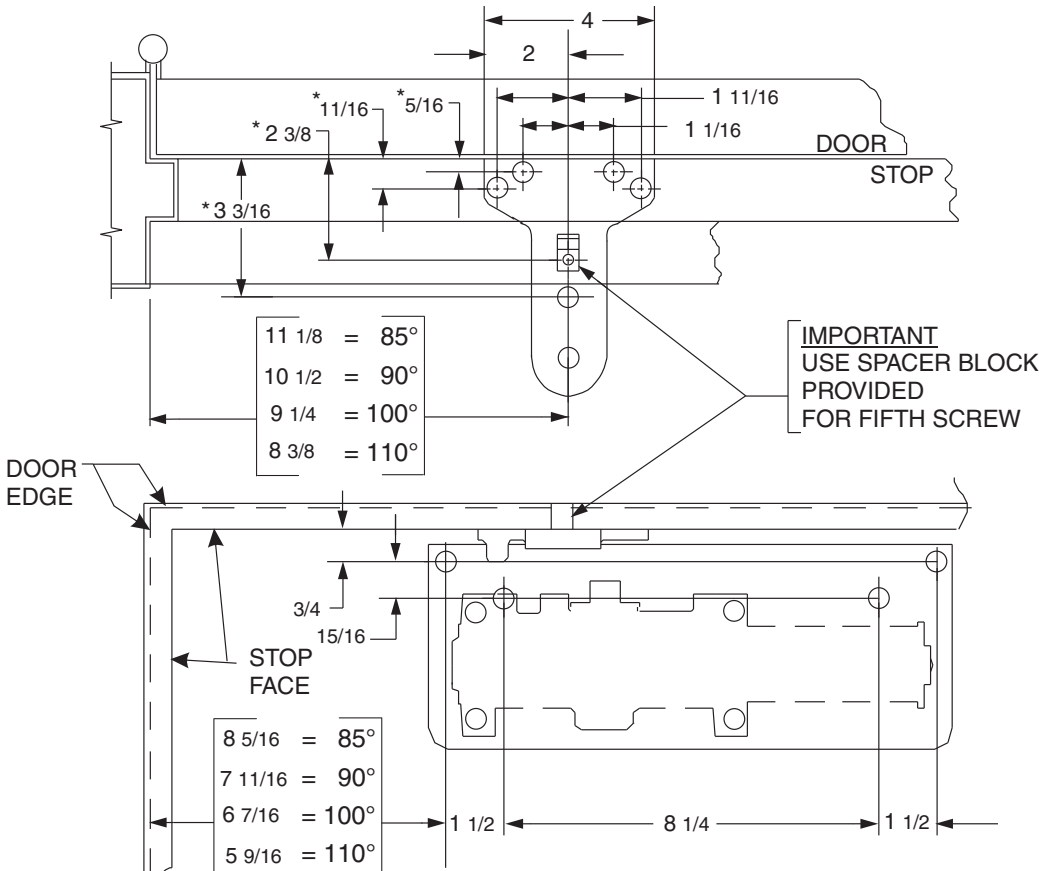


LEFT HAND DOOR SHOWN,
RIGHT HAND DOOR OPPOSITE

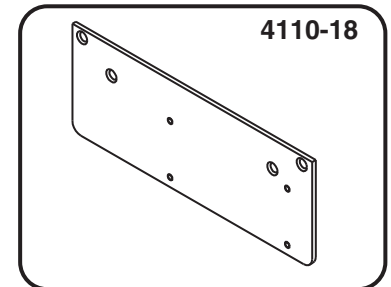
| | | | | | | | | | |
|------|-------|--------|--------|---------|---------|--------|---------|--------|---------|
| INCH | 5/16 | 11/16 | 3/4 | 15/16 | 1 1/16 | 1 1/2 | 1 11/16 | 1 3/4 | 2 |
| M.M. | 8 | 17 | 19 | 24 | 27 | 38 | 43 | 44 | 51 |
| INCH | 2 3/8 | 3 3/16 | 3 7/16 | 4 | 4 15/16 | 6 1/16 | 6 1/4 | 6 7/16 | 6 15/16 |
| M.M. | 60 | 81 | 87 | 102 | 125 | 154 | 159 | 164 | 176 |
| INCH | 7 3/4 | 8 3/16 | 8 1/4 | 8 13/16 | 8 7/8 | 9 1/4 | 9 3/4 | 11 | 11 5/8 |
| M.M. | 197 | 208 | 210 | 224 | 225 | 235 | 248 | 279 | 295 |

4110 CUSH PUSH SIDE (DOOR MOUNT) DROP PLATE

PERMITS 110° MAXIMUM OPENING



**PUSH SIDE MOUNT ON:
4110-18 DROP PLATE**

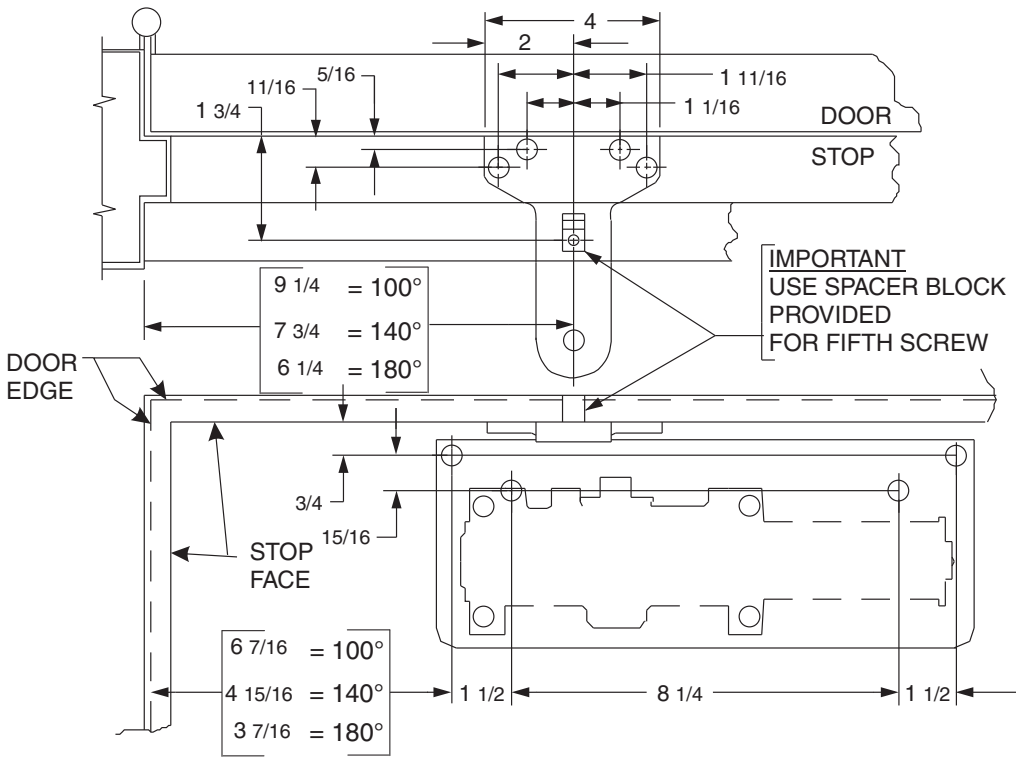


LEFT HAND DOOR SHOWN,
RIGHT HAND DOOR OPPOSITE

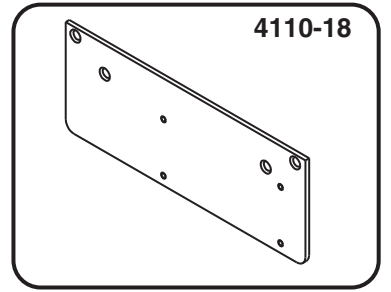
NOTE:
* INCREASE THESE
DIMENSIONS 1/4"
WHEN SPRING CUSH
OPTION IS USED.

4210 PUSH SIDE (DOOR MOUNT) DROP PLATE

PERMITS 180° MAXIMUM OPENING



**PUSH SIDE MOUNT ON:
4110-18 DROP PLATE**

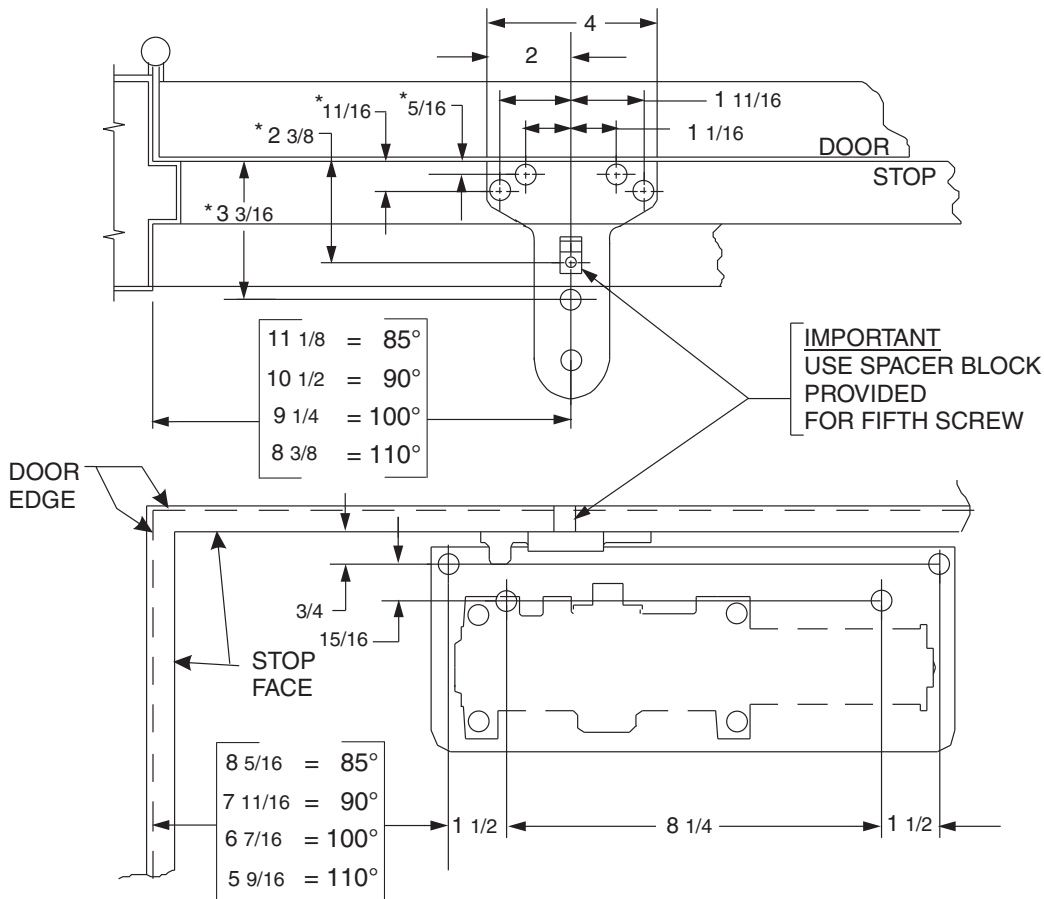


LEFT HAND DOOR SHOWN,
RIGHT HAND DOOR OPPOSITE

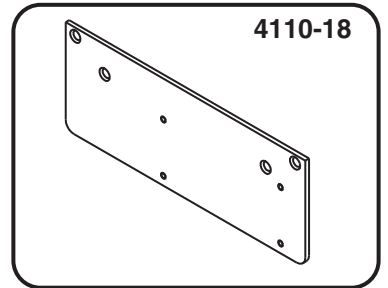
| | | | | | | | | | |
|------|-------|--------|--------|---------|---------|--------|---------|--------|---------|
| INCH | 5/16 | 11/16 | 3/4 | 15/16 | 1 1/16 | 1 1/2 | 1 11/16 | 1 3/4 | 2 |
| M.M. | 8 | 17 | 19 | 24 | 27 | 38 | 43 | 44 | 51 |
| INCH | 2 3/8 | 3 3/16 | 3 7/16 | 4 | 4 15/16 | 6 1/16 | 6 1/4 | 6 7/16 | 6 15/16 |
| M.M. | 60 | 81 | 87 | 102 | 125 | 154 | 159 | 164 | 176 |
| INCH | 7 3/4 | 8 3/16 | 8 1/4 | 8 13/16 | 8 7/8 | 9 1/4 | 9 3/4 | 11 | 11 5/8 |
| M.M. | 197 | 208 | 210 | 224 | 225 | 235 | 248 | 279 | 295 |

4210 CUSH PUSH SIDE (DOOR MOUNT) DROP PLATE

PERMITS 110° MAXIMUM OPENING



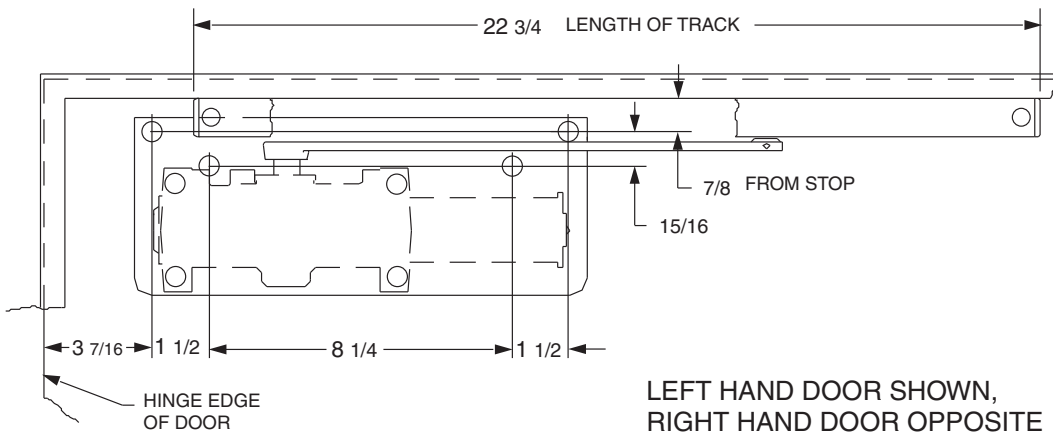
**PUSH SIDE MOUNT ON:
4110-18 DROP PLATE**



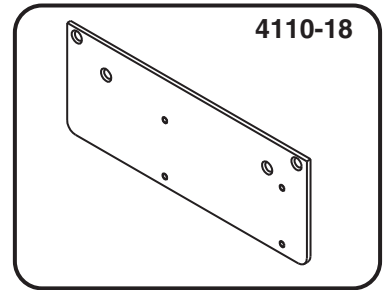
NOTE:
* INCREASE THESE
DIMENSIONS 1/4"
WHEN SPRING CUSH
OPTION IS USED.

4110T PUSH SIDE (DOOR MOUNT) DROP PLATE

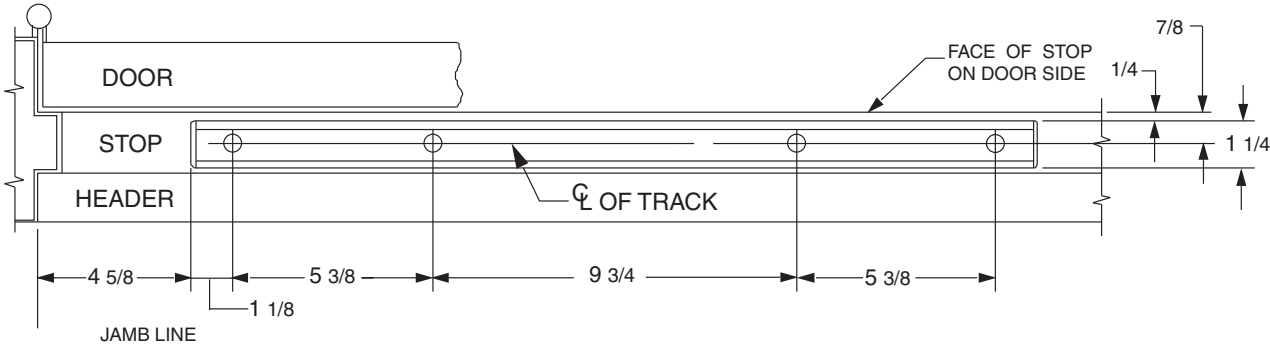
PERMITS 110° MAXIMUM OPENING



**PUSH SIDE MOUNT ON:
4110-18 DROP PLATE**

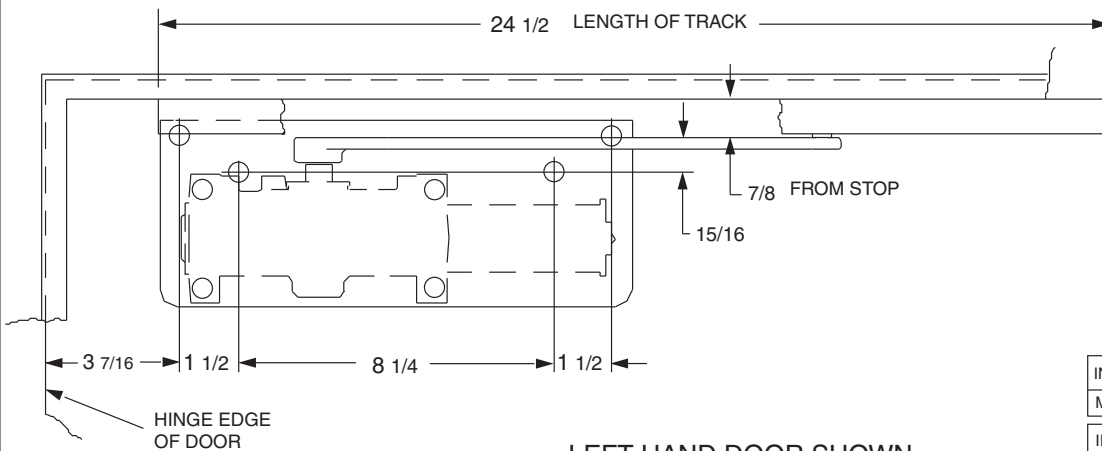


LEFT HAND DOOR SHOWN,
RIGHT HAND DOOR OPPOSITE

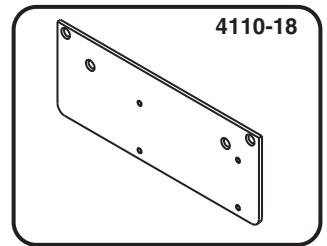


4210T PUSH SIDE (DOOR MOUNT) DROP PLATE

PERMITS 110° MAXIMUM OPENING

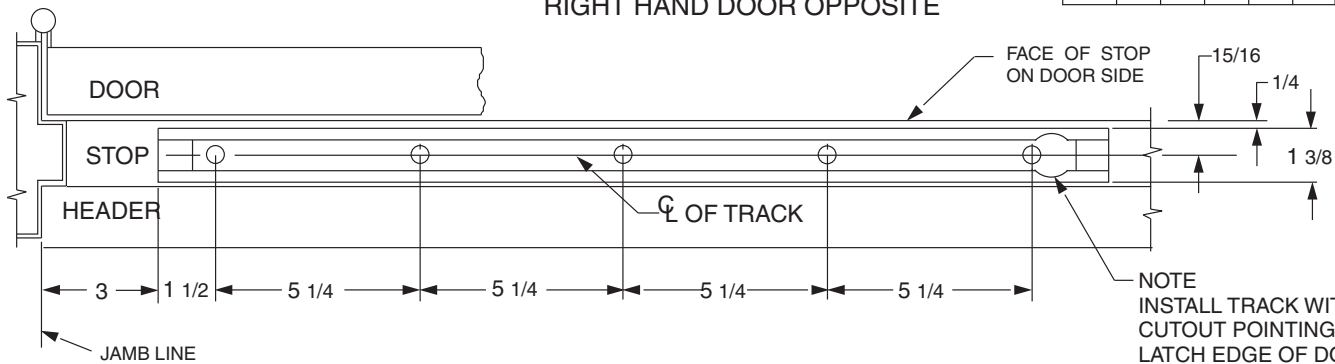


**PUSH SIDE MOUNT ON:
4110-18 DROP PLATE**



LEFT HAND DOOR SHOWN,
RIGHT HAND DOOR OPPOSITE

| | | | | | | | | |
|------|--------|-------|-------|-------|-------|-------|--------|--------|
| INCH | 1/4 | 7/8 | 15/16 | 1 1/8 | 1 1/4 | 1 3/8 | 1 1/2 | 3 |
| M.M. | 13 | 22 | 24 | 38 | 38 | 38 | 38 | 49 |
| INCH | 3 7/16 | 4 5/8 | 5 1/4 | 5 3/8 | 8 1/4 | 9 3/4 | 21 3/4 | 22 3/4 |
| M.M. | 64 | 105 | 113 | 119 | 164 | 189 | 553 | 578 |



NOTE
INSTALL TRACK WITH CIRCULAR
CUTOUT POINTING TOWARD
LATCH EDGE OF DOOR.

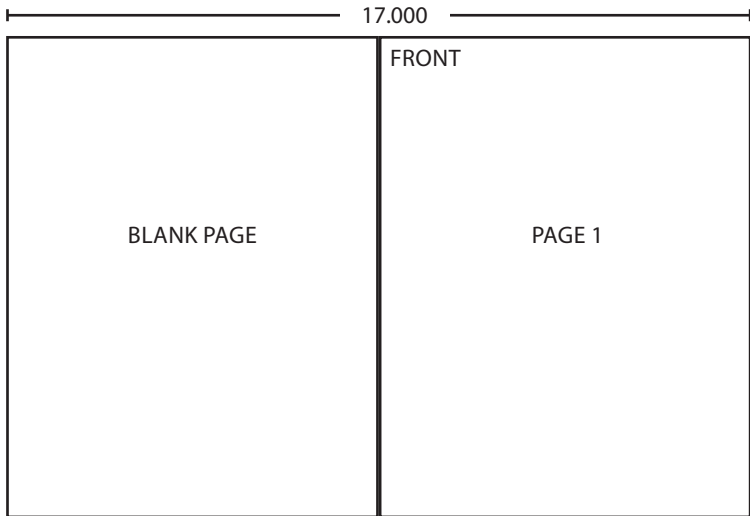
Customer Service

1-877-671-7011

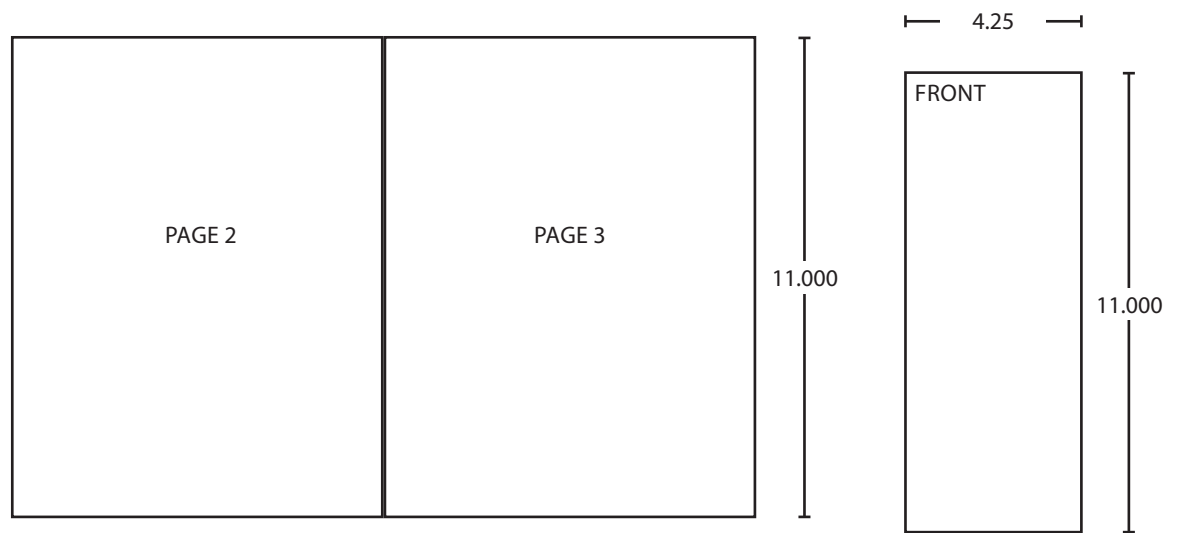
www.allegion.com/us



© Allegion 2014
Printed in U.S.A.
28501 Rev. 01/14-f



BEGINNING SHEET



FOLDED SHEET

| |
|-------------------|
| Additional Notes: |
| 1. None |

| | | | | | | | | | | | |
|--------------------------------|-----|-----|-----|-----|--------|---|--|--|--|-----------------|--------------|
| Revision History | | | | | | Revision Description: F > Revised artwork | | | | | |
| A | B | C | D | E | F | | | | | | |
| N/A | N/A | N/A | N/A | N/A | 043812 | | | | | | |
| Material | | | | | | Edited By | | Approved By | | EC Number | Release Date |
| White Paper | | | | | | R. Byun | | M. Sasso | | 043812 | 01-01-14 |
| Notes | | | | | | Title | | | | | |
| 1. printed two sides | | | | | | 4110 & 4210 Series Drop Plate Instruction Sheet | | | | | |
| 2. printed black | | | | | | Creation Date | | Number | | Revision | |
| 3. tolerance ± .13 | | | | | | 04-27-10 | | 28501 | | F | |
| 4. printed in country may vary | | | | | | Created By | | Activity | | © Allegion 2014 | |
| 5. drawings not to scale | | | | | | N/A | | 3899 Hancock Expwy Security, CO 80911 | | | |
| | | | | | | Software: InDesign CS6 | | | | | |