



Pulls, Push Plates,
Pull Plates,
Door Protection Plates

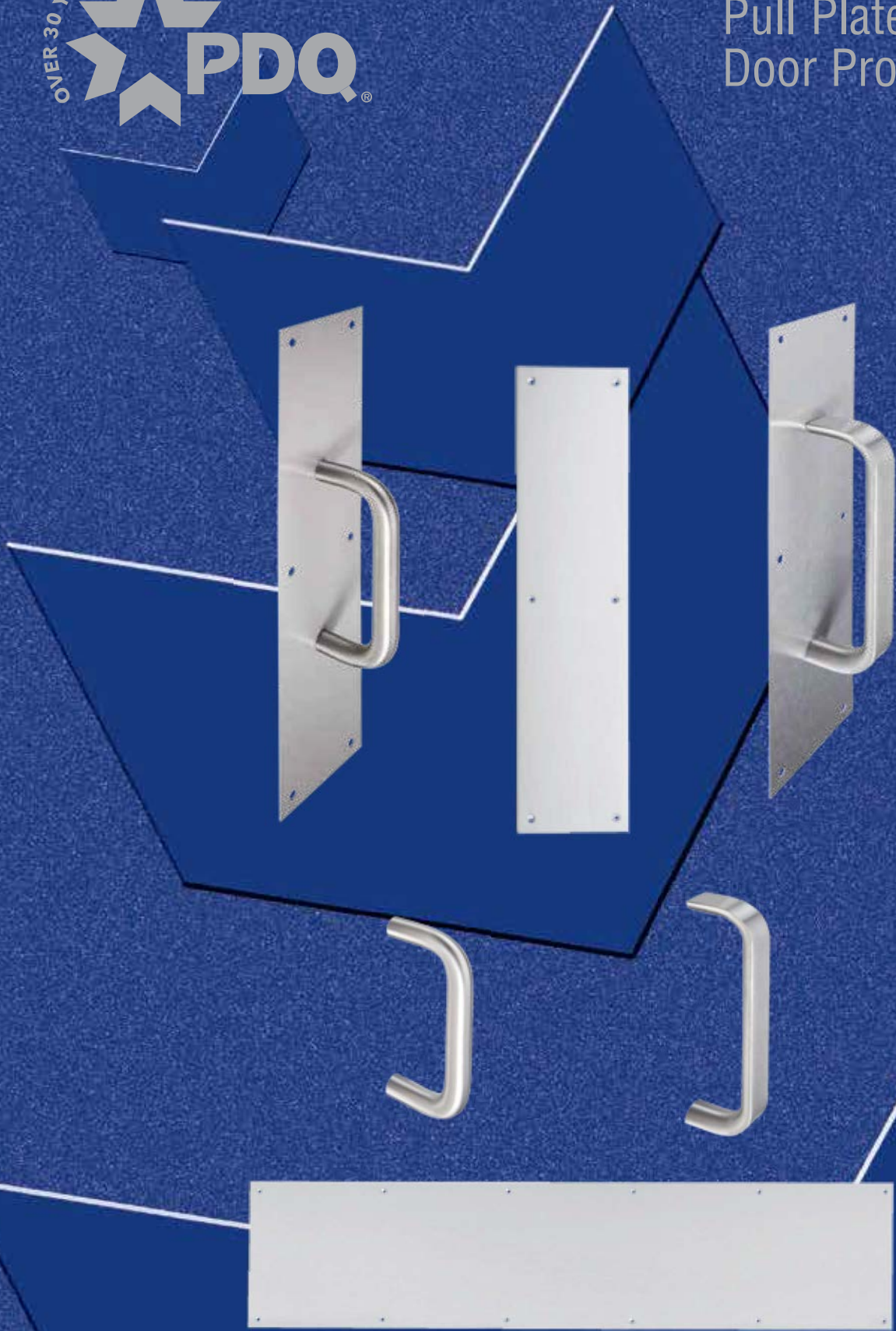


TABLE OF CONTENTS

GENERAL INFORMATION.....	2
PUSH PLATES.....	2-3
STRAIGHT PULLS, OFFSET PULLS.....	3-6
PUSH BARS, PULL-PUSH BAR SETS	7
PULL PLATES	8-10
SELECTION GUIDE FOR PULL PLATES	10
SELECTION GUIDE FOR MOUNTING OPTIONS.....	11
MOUNTING OPTIONS.....	12-13
FASTENERS	14
DOOR PROTECTION PLATES	15
FINISHES.....	15

96 SERIES PUSH PLATES

Plates are available with optional cutout for cylinders or thumbturns

SPECIFICATIONS:

- MOUNTING FASTENERS:** • #6 x 5/8 OH PH SMS
MATERIAL: • Brass, Stainless Steel Grade 304

THICKNESS: • 0.050"

STANDARD CUTOUT FOR CYLINDER: • 1-1/4" DIA

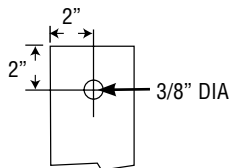
STANDARD CUTOUT FOR THUMBTURN: • 3/8" DIA

- FINISHES:** • 605 (US3) bright Brass, 606 (US4) Satin Brass, 612 (US10) Satin Bronze, 613 (US10B) Oil Rubbed Bronze, 628 (US28) Aluminum - Anodized, 630 US32D) Satin Stainless Steel
 • Antimicrobial Coating available on 630 (US32D) only



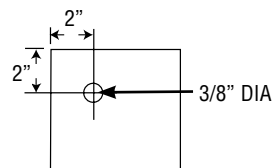
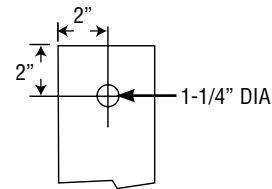
OPTIONS FOR LOCKING HARDWARE

PREPS FOR THUMBTURNS

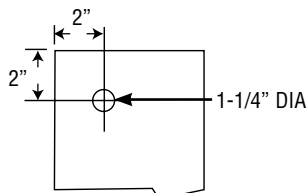


962/963 SERIES RH RIGHT HAND SHOWN

PREPS FOR CYLINDERS

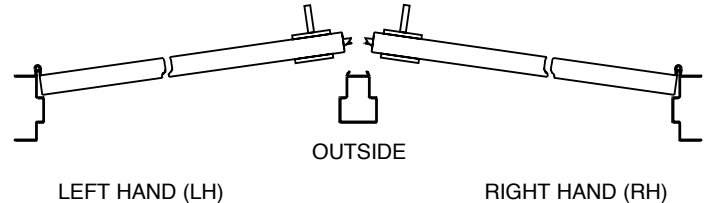


965 SERIES RH RIGHT HAND SHOWN

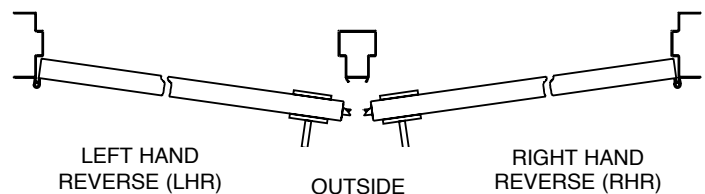


HANDING

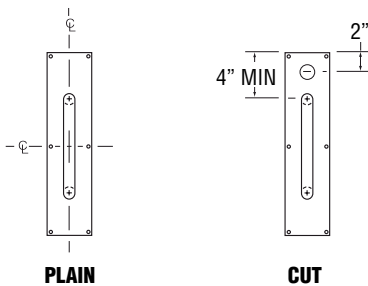
IN SWING DOOR



OUT SWING DOOR

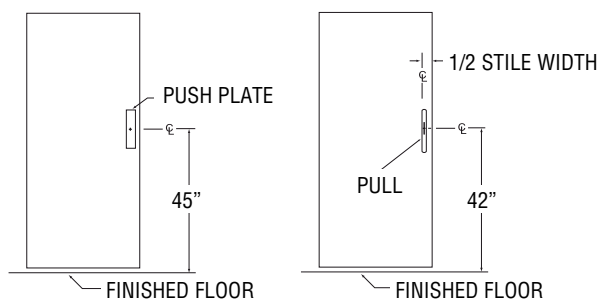


PULL POSITIONING



RECOMMENDED MOUNTING LOCATIONS

Note: Complies with ADA (Americans with Disabilities Act) Guidelines



HOW TO ORDER

SERIES	SIZE	FINISH	HANDING ¹
96	2 — 3-1/2" X 15" 3 — 4" X 16" 5 — 6" X 16" (630 ONLY)	605 BRIGHT BRASS 606 SATIN BRASS 612 SATIN BRONZE 613 OIL RUBBED BRONZE 628 SATIN ALUMINUM, ANODIZED 630 SATIN STAINLESS STEEL 630AM SATIN STAINLESS STEEL WITH ANTIMICROBIAL	RH — Right Hand LH — Left Hand
96	2 B	630 T	RH
	B — 5-1/2" CTC C — 6" CTC D — 8" CTC E — 10" CTC F — 12" CTC	C — CYLINDER T — THUMBTURN	
	PREP FOR PULLS BY OTHERS OPTION²	PREP FOR LOCKING HARDWARE OPTION^{1,2}	

Ordering Example: 96 2 630

- Denotes factory default

Notes: 1 - Handing required for Plate Size 5. 2 - Cylinder and Thumbturn Prep not available in Pull Size F.

PULLS

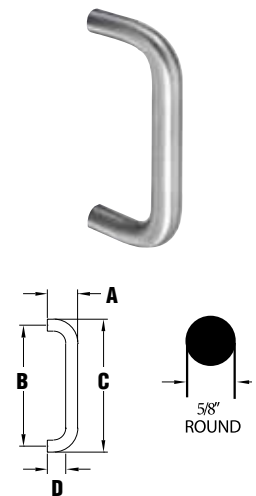
1 Series Door Pull - 5/8" Round Straight

Mounting Options: - Type 1 (default), 12, 15.
- Mounting Options Shown on Page 11 and 12.

SPECIFICATIONS:

- SIZE:** • 5-1/2"
- FINISHES:** • 605 (US3) Bright Brass, 606 (US4) Satin Brass, 612 (US10) Satin Bronze, 613 (US10B) Oil Rubbed Bronze, 628 (US28) Aluminum, 630 (US32D) Satin Stainless Steel Grade 304
• Available with Antimicrobial Coating 630 (US32D) only

MODEL	PROJECTION (A)	CENTER TO CENTER (B)	OVERALL LENGTH (C)	CLEARANCE (D)
1B	2"	5-1/2"	6-3/4"	1-3/8"



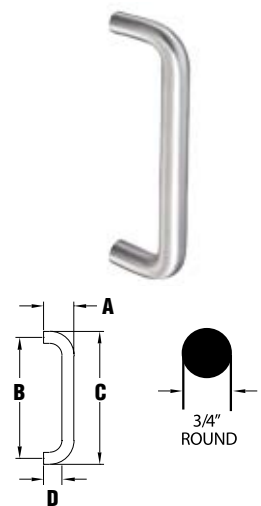
2 Series Door Pull - 3/4" Round Straight

Mounting Options: - Standard - Type 1 (default), 6, 6R, 8, 12, 15.
- Back to Back - Type 5 (default), 13 (for 1/2" glass doors).
- Mounting Options Shown on Page 11 and 12.

SPECIFICATIONS:

- SIZES:** • 6" and 8"
- FINISHES:** • 605 (US3) Bright Brass, 606 (US4) Satin Brass, 612 (US10) Satin Bronze, 613 (US10B) Oil Rubbed Bronze, 628 (US28) Aluminum, 630 (US32D) Satin Stainless Steel Grade 304
• Available with Antimicrobial Coating 630 (US32D) only

MODEL	PROJECTION (A)	CENTER TO CENTER (B)	OVERALL LENGTH (C)	CLEARANCE (D)
2C	2-1/4"	6"	6-3/4"	1-1/2"
22C	2-1/4"	6" (BTB)	6-3/4"	1-1/2"
2D	2-1/4"	8"	8-3/4"	1-1/2"
22D	2-1/4"	8" (BTB)	8-3/4"	1-1/2"



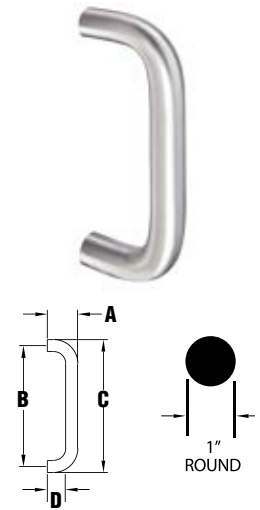
3 Series Door Pull - 1" Round Straight

Mounting Options: Standard - Type 1 HD (default), 6 HD, 6R HD, 8 HD, 12 HD, 15 HD .
 - Back to Back - Type 5 HD (default), 13 (for 1/2" glass doors).
 - Mounting Options Shown on Page 11 and 12.

SPECIFICATIONS:

- SIZE:** • 8"
- FINISHES:** • 605 (US3) Bright Brass, 606 (US4) Satin Brass, 612 (US10) Satin Bronze, 613 (US10B) Oil Rubbed Bronze, 628 (US28) Aluminum, 630 (US32D) Satin Stainless Steel Grade 304
 • Available with Antimicrobial Coating 630 (US32D) only

MODEL	PROJECTION (A)	CENTER TO CENTER (B)	OVERALL LENGTH (C)	CLEARANCE (D)
3D	3"	8"	9"	2"
33D	3"	8" (BTB)	9"	2"



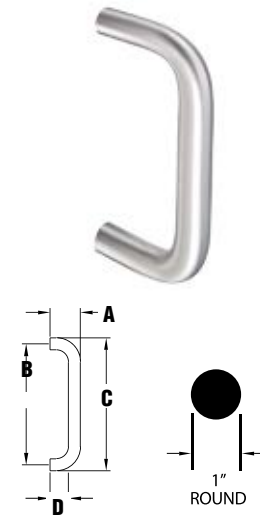
H3 ADA Series Door Pull - 1" Round Straight Large 2-1/2" Clearance for the Accessibility Applications

Mounting Options: Standard - Type 1HD (default), 6HD, 6RHD, 8HD, 12HD, 15HD.
 - Back to back - Type 5 HD (default), 13HD (BTB for Glass Doors).
 - Mounting Options Shown on Page 11 and 12.

SPECIFICATIONS:

- SIZES:** • 8", 10" (630 only), 12" (630 only)
- FINISHES:** • 606 (US4) Satin Brass, 613 (US10B) Oil Rubbed Bronze, 630 (US32D) Satin Stainless Steel Grade 304
 • Available with Antimicrobial Coating 630 (US32D) only

MODEL	PROJECTION (A)	CENTER TO CENTER (B)	OVERALL LENGTH (C)	CLEARANCE (D)
H3D	3-1/2"	8"	9"	2-1/2"
H33D	3-1/2"	8" (BTB)	9"	2-1/2"
H3E	3-1/2"	10"	11"	2-1/2"
H33E	3-1/2"	10" (BTB)	11"	2-1/2"
H3F	3-1/2"	12"	13"	2-1/2"
H33F	3-1/2"	12" (BTB)	13"	2-1/2"



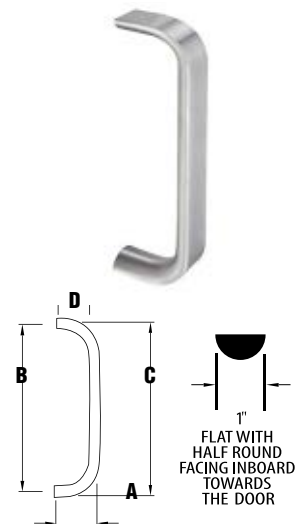
5 Series Door Pull - 1" Flat Straight

Mounting Options: - Type 1 (default), 12.
 - Mounting Options Shown on Page 11 and 12.

SPECIFICATIONS:

- SIZES:** • 6" and 8"
- FINISHES:** • 605 (US3) Bright Brass, 606 (US4) Satin Brass, 612 (US10) Satin Bronze, 613 (US10B) Oil Rubbed Bronze, 628 (US28) Aluminum, 630 (US32D) Satin Stainless Steel Grade 304
 • Available with Antimicrobial Coating 630 (US32D) only

MODEL	PROJECTION (A)	CENTER TO CENTER (B)	OVERALL LENGTH (C)	CLEARANCE (D)
5C	2"	6"	6-1/2"	1-1/2"
5D	2"	8"	6-1/2"	1-1/2"



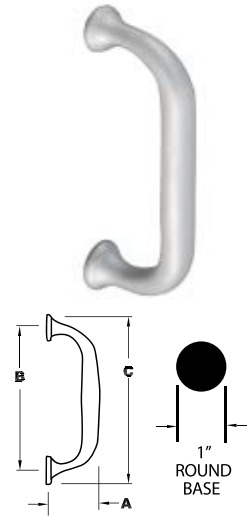
11 Series Cast Door Pull

Mounting Options: - Type 1 (default), 12.
 - Mounting Options Shown on Page 11 and 12.

SPECIFICATIONS:

- SIZES:** • 5-1/2"
- FINISHES:** • 605 (US3) Bright Brass, 606 (US4) Satin Brass, 612 (US10) Satin Bronze, 613 (US10B) Oil Rubbed Bronze, 626 (US26D) Satin Chromium, 628 (US28) Aluminum, 630 (US32D) Satin Stainless Steel
- Available with Antimicrobial Coating 630 (US32D) only

MODEL	PROJECTION (A)	CENTER TO CENTER (B)	OVERALL LENGTH (C)
11	1-13/16"	5-1/2"	6-1/2"



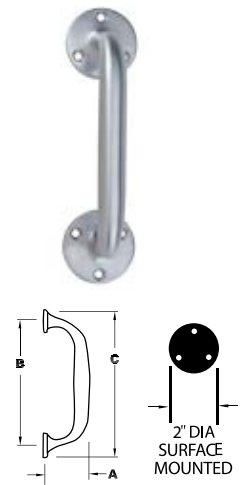
12 Series Surface Mount Cast Door Pull

Mounting Options: - Surface mount (default).
 - Pull is machined/prepped for concealed mount installations.
 Specify mounting option 1 or 12.
 - Mounting Options Shown on Page 11 and 12.

SPECIFICATIONS:

- MOUNTING FASTENERS:** • 6 ea #8 x 1" WS.
- SIZES:** • 5-1/2"
- FINISHES:** • 605 (US3) Bright Brass, 613 (US10B) Oil rubbed Bronze, 626 (US26D) Satin Chromium

MODEL	PROJECTION (A)	CENTER TO CENTER (B)	OVERALL LENGTH (C)
12	2-1/4"	5-1/2"	7-1/2"



OFFSET PULL HANDLES

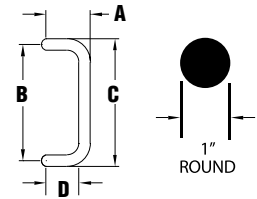
9E Series Offset Pull

Mounting Options: - Surface mount (default).
 - Pull is machined/prepped for concealed mount installations.
 Specify mounting option 1HD (Default), 5HD, 6HD, 6RHD, 8HD, 12HD, 13HD, 15HD
 - Mounting Options Shown on Page 11 and 12.



SPECIFICATIONS:

- SIZE:** • 10" CTC
- FINISHES:** • 630 (US32D) Satin Stainless Steel Grade 304
 • Available with Antimicrobial Coating 630 (US32D) only



MODEL	PROJECTION (A)	CENTER TO CENTER (B)	OVERALL LENGTH (C)	CLEARANCE (D)
9E	3-1/4"	10"	11"	2-1/4"
99E	3-1/4"	10" (BTB)	11"	2-1/4"

FOR PUSH BARS, PULLS AND OFFSET PULL HANDLE - PUSH BAR SETS, SEE PAGE 7

STRAIGHT PULL - PUSH BAR



STRAIGHT PULL - PUSH BAR SET



OFFSET PULL HANDLE - PUSH BAR SET



HOW TO ORDER

PULL		
1B — 5/8" ROUND STRAIGHT PULL 5-1/2" CTC	H3D — 1" ROUND STRAIGHT PULL 8" CTC ADA	5C — 1" FLAT STRAIGHT PULL 6" CTC
2C — 3/4" ROUND STRAIGHT PULL 6" CTC	H33D — 1" ROUND STRAIGHT BTB PULL 8" CTC ADA	5D — 1" FLAT STRAIGHT PULL 8" CTC
22C — 3/4" ROUND STRAIGHT BTB PULL, 6" CTC	H3E — 1" ROUND STRAIGHT PULL 10" CTC ADA	9E — 1" ROUND OFFSET PULL HANDLE 10" CTC
2D — 3/4" ROUND STRAIGHT PULL 8" CTC	H33E — 1" ROUND STRAIGHT BTB PULL 10" CTC ADA	99E — 1" ROUND OFFSET PULL HANDLE BTB 10" CTC
22D — 3/4" ROUND STRAIGHT BTB PULL, 8" CTC	H3F — 1" ROUND STRAIGHT PULL 12" CTC ADA	11 — CAST PULL 5-1/2" CTC
3D — 1" ROUND STRAIGHT PULL 8" CTC	H33F — 1" ROUND STRAIGHT BTB PULL 12" CTC ADA	12 — CAST PULL 5-12" CTC
9E SERIES OFFSET PULL	630	1
606 SATIN BRASS		1 — TYPE 1
612 SATIN BRONZE		5 — TYPE 5
613 OIL RUBBED BRON		6 — TYPE 6
626 SATIN CHROME		6R — TYPE 6R
628 SATIN ALUMINUM, ANODIZED		8 — TYPE 8
630AM SATIN STAINLESS STEEL WITH ANTIMICROBIAL		12 — TYPE 12
		13 — TYPE 13
		15 — TYPE 15
FINISH	MOUNTING OPTIONS ^{1,2}	

Ordering Examples: Standard Mount for Metal Door: 2C 630 1

PUSH BARS

91 Series Push Bar

Mounting Options: - Surface mount (default).
 - Push bar is machined/prepped for concealed mount installations. Specify mounting option 1HD (Default), 6HD, 6RHD, 8HD, 15HD
 - Mounting Options Shown on Page 11 and 12.



SPECIFICATIONS:

- SIZE:** • 33" CTC
- FINISHES:** • 630 (US32D) Satin Stainless Steel (Grade 304)
 • Available with Antimicrobial Coating 630 (US32D) only



MODEL	PROJECTION (A)	CENTER TO CENTER (B)	OVERALL LENGTH (C)	CLEARANCE (D)
91	3-1/4"	33"	34"	2-1/4"

PULLS, OFFSET PULL HANDLE -PUSH BAR SETS



HOW TO ORDER

SERIES		PUSH BAR		MOUNTING OPTIONS , PUSH BAR ONLY*	
91		33 — 1" ROUND PUSH BAR, 33" CTC		1HD — TYPE 1 (DEFAULT) 6HD —TYPE 6 6RHD —TYPE 6R 8HD —TYPE 8 15HD —TYPE 15	
91	9E	33	630	1	S
00 — NO PULL 3D — 1" ROUND STRAIGHT PULL 8" CTC H3D — 1" ROUND STRAIGHT PULL 8" CTC ADA H3E — 1" ROUND STRAIGHT PULL 10" CTC ADA H3F — 1" ROUND STRAIGHT PULL 12" CTC ADA 9E — 1" ROUND OFFSET PULL HANDLE		630 SATIN STAINLESS STEEL 630AM SATIN STAINLESS STEEL WITH ANTIMICROBIAL		S — STANDARD (DEFAULT) D — DECORATIVE M — CONCEALED FOR METAL DOORS W — CONCEALED FOR COMPOSITE OR WOOD DOORS G — DECORATIVE FOR GLASS DOORS	
PULL		FINISH		MOUNTING OPTIONS, OFFSET PULL AND PUSH BAR SET	

Ordering Examples:

Push Bar Only, Thru Bolt Mounting: 91 00 33 630 1HD

Offset Pull Handle-Push-Bar Set, Standard Mounting: 91 9E 33 630 S

- Denotes factory default

Notes:

1 - For Mounting Options, see Page 13.

86 SERIES PULL PLATES

See selection Guide On Page 10 for Plate and Pull Combinations

With 1B Series Pull

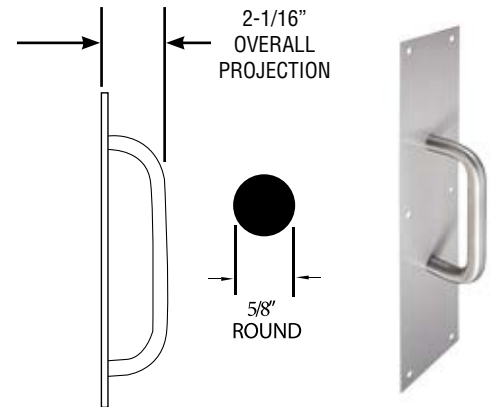
Mounting Options: - Type 1 (default), 12, 15.

SPECIFICATIONS:

- PLATE SIZES:** • 3-1/2" x 15", 4" x 16"
- PULL SERIES:** • 1B – 5/8" DIA, 5-1/2" Center to Center
- THICKNESS:** • 0.050"

PLATE MOUNTING

- FASTENERS:** • #6 x 5/8 OH PH SMS
- FINISHES:** • 605 (US3) Bright Brass, 606 (US4) Satin Brass, 612 (US10) Satin Bronze, 613 (US10B) Oil Rubbed Bronze, 628 (US28) Aluminum, 630 (US32D) Satin Stainless Steel (Grade 304)
 - Available with Antimicrobial Coating 630 (US32D) only



With 2 Series Pull

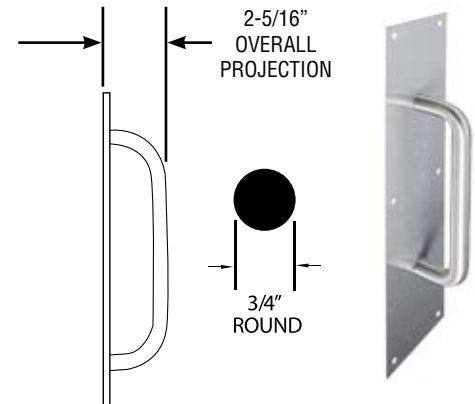
Mounting Options: - Standard - Type 1 (default), 6, 6R, 8, 12, 15.
- Mounting Options Shown on Page 11.

SPECIFICATIONS:

- PLATE SIZES:** • 3-1/2" x 15", 4" x 16"
- PULL SERIES:** • 2C – 3/4" DIA, 6" Center to Center, 2D – 8" Center to Center
- THICKNESS:** • 0.050"

PLATE MOUNTING

- FASTENERS:** • #6 x 5/8 OH PH SMS
- FINISHES:** • 605 (US3) Bright Brass, 606 (US4) Satin Brass, 612 (US10) Satin Bronze, 613 (US10B) Oil Rubbed Bronze, 628 (US28) Aluminum, 630 (US32D) Satin Stainless Steel (Grade 304)
 - Available with Antimicrobial Coating 630 (US32D) only



With 3 Series Pull

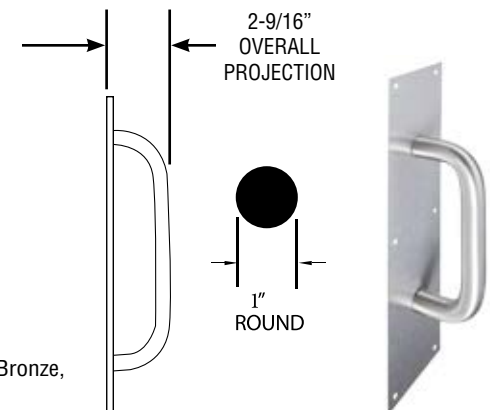
Mounting Options: - Standard - Type 1HD (default), 6HD, 6RHD, 8HD, 12HD, 15HD.
- Mounting Options Shown on Page 11.

SPECIFICATIONS:

- PLATE:** • 3-1/2" x 15", 4" x 16"
- PULL SERIES:** • 3D – 1" DIA, 8" Center to Center
- THICKNESS:** • 0.050"

PLATE MOUNTING

- FASTENERS:** • #6 x 5/8 OH PH SMS
- FINISHES:** • 605 (US3) Bright Brass, 606 (US4) Satin Brass, 612 (US10) Satin Bronze, 613 (US10B) Oil Rubbed Bronze, 628 (US28) Aluminum, 630 (US32D) Satin Stainless Steel (Grade 304)
 - Available with Antimicrobial Coating 630 (US32D) only



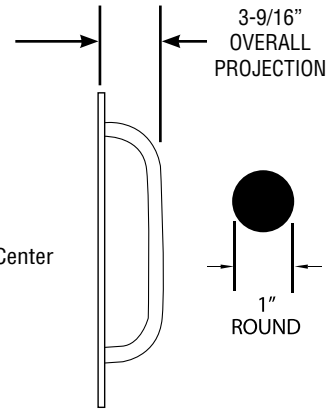
With H3 Series Pull



Mounting Options: - Standard - Type 1HD (default), 6HD, 6RHD, 8HD, 12HD, 15HD.
- Mounting Options Shown on Page 11.

SPECIFICATIONS:

- PLATE:** • 3-1/2" x 15", 4" x 16"
- PULL SERIES:** • H3D – 1" DIA, 8" Center to Center (630 only), H3E – 1" DIA, 10" Center to Center (630 only), H3F - 12" Center to Center (630 only).
• 2-1/2" Clearance for accessibility Requirements
- THICKNESS:** • 0.050"
- PLATE MOUNTING**
- FASTENERS:** • #6 x 5/8 OH PH SMS
- FINISHES:** • 630 (US32D) Satin Stainless Steel (Grade 304)
• Available with Antimicrobial Coating 630 (US32D) only

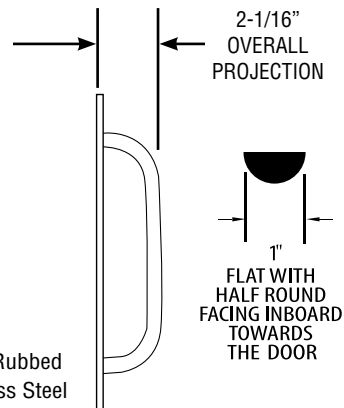


With 5 Series Pull

Mounting Options: - Pull: Type 1 (default), 12.
- Mounting Options Shown on Page 11.

SPECIFICATIONS:

- PLATE:** • 3-1/2" x 15", 4" x 16", 6" x 16"
- PULL SERIES:** • 5C - 6" Center to Center, 5D - 8" Center to Center
- THICKNESS:** • 0.050"
- PLATE MOUNTING**
- FASTENERS:** • #6 x 5/8 OH PH SMS
- FINISHES:** • 605 (US3) Bright Brass, 606 (US4) Satin Brass, 613 (US10B) Oil Rubbed Bronze, 626 (US26D) Satin Chromium, 630 (US32D) Satin Stainless Steel (Grade 304)
• Available with Antimicrobial Coating 626 (US26D) and 630 (US32D) only

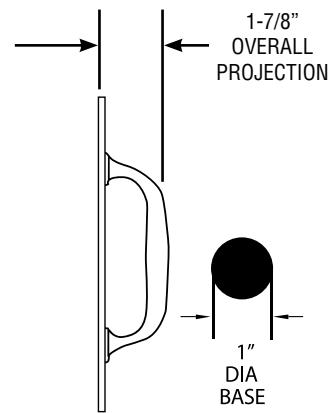


With 11 Series Pull

Mounting Options: - Pull: Type 1 (default), 12.
- Mounting Options Shown on Page 11.

SPECIFICATIONS:

- PLATE:** • 3-1/2" x 15", 4" x 16", 6" x 16" (630 only)
- PULL:** • 11 – 5-1/4" Center to Center
- THICKNESS:** • 0.050"
- PLATE MOUNTING**
- FASTENERS:** • #6 x 5/8 OH PH SMS
- FINISHES:** • 605 (US3) Bright Brass, 606 (US4) Satin Brass, 613 (US10B) Oil Rubbed Bronze, 630 (US32D) Satin Stainless Steel (Grade 304)
• Available with Antimicrobial Coating 630 (US32D) only



HOW TO ORDER

SERIES		FINISHES		HANDING ¹	MOUNTING OPTIONS ³	
86		605 — BRIGHT BRASS 606 — SATIN BRASS 612 — SATIN BRONZE 613 — OIL RUBBED BRONZE 626 — SATIN CHROME 628 — SATIN ALUMINUM, ANODIZED 630 — SATIN STAINLESS STEEL 630AM - SATIN STAINLESS STEEL WITH ANTIMICROBIAL		RH — RIGHT HAND LH — LEFT HAND	1 —TYPE 1 5 —TYPE 5 6 —TYPE 6 6R—TYPE 6R 8 —TYPE 8 12 —TYPE 12 13 —TYPE 13 15 —TYPE 15	
86	3	2D	630	T	RH	1
2 — 3-1/2" X 15" 3 — 4" X 16" 5 — 6" X 16" (630 ONLY)		1B — 5/8" ROUND STRAIGHT PULL 5-1/2" CTC 2C — 3/4" ROUND STRAIGHT PULL 6" CTC 2D — 3/4" ROUND STRAIGHT PULL 8" CTC 3D — 1" ROUND STRAIGHT PULL 8" CTC H3D — 1" ROUND STRAIGHT PULL 8" CTC ADA H3E — 1" ROUND STRAIGHT PULL 10" CTC ADA H3F — 1" ROUND STRAIGHT PULL 12" CTC ADA 5C — 1" ROUND STRAIGHT PULL 6" CTC 5D — 1" ROUND STRAIGHT PULL 8" CTC 11 — CAST PULL 5-1/2" CTC	C — CYLINDER T — THUMBTURN			
PLATE		PULL		PREP FOR LOCKING HARDWARE ^{1,2}		

Ordering Examples: Standard Mount for Metal Door: 86 3 2D 630 1

- Denotes factory default.

Notes: 1 - Handing required for Plate Size 5 2 - Cylinder and Thumbturn Prep not available in Plate Size 5 3 - Defaults shown with each Pull Plate series.

SELECTION GUIDE FOR PULL PLATES

SERIES	PLATE	PULL	DESCRIPTION	605	606	612	613	628	630
862	3-1/2" x 15" (Ref 962 Push Plate)	1B	5/8" Round Straight Pull 5-1/2" CTC	X	X	X	X	X	X
		2C	3/4" Round Straight Pull 6" CTC	X	X	X	X	X	X
		2D	3/4" Round Straight Pull 8" CTC	X	X	X	X	X	X
		3D	1" Round Straight Pull 8" CTC	X	X	X	X	X	X
		5C	1" Flat 1/2 Round Straight Pull 6" CTC	X	X	X	X	X	X
		5D	1" Flat 1/2 Round Straight Pull 8" CTC	X	X	X	X	X	X
		11	Cast Pull 5-1/2" CTC	X	X	X	X	X	X
		H3D	1" Round Straight Pull 8" CTC ADA	—	X	—	X	—	X
		H3E	1" Round Straight Pull 10" CTC ADA	—	—	—	—	—	X
863	4" x 16" (Ref 963 Series Push Plate)	1B	5/8" Round Straight Pull 5-1/2" CTC	X	X	X	X	X	X
		2C	3/4" Round Straight Pull 6" CTC	X	X	X	X	X	X
		2D	3/4" Round Straight Pull 8" CTC	X	X	X	X	X	X
		3D	1" Round Straight Pull 8" CTC	X	X	X	X	X	X
		5C	1" Flat 1/2 Round Straight Pull 6" CTC	X	X	X	X	X	X
		5D	1" Flat 1/2 Round Straight Pull 8" CTC	X	X	X	X	X	X
		11	Cast Pull 5-1/2" CTC	X	X	X	X	X	X
		H3D	1" Round Straight Pull 8" CTC ADA	—	X	—	X	—	X
		H3E	1" Round Straight Pull 10" CTC ADA	—	—	—	—	—	X
865	6"x16" (Ref 965 Series Push Plate)	5C	1" Flat 1/2 Round Straight Pull 6" CTC	—	—	—	—	—	X
		5D	1" Flat 1/2 Round Straight Pull 8" CTC	—	—	—	—	—	X
		11	Cast Pull 5-1/2" CTC	—	—	—	—	—	X
		H3F	1" Round Straight Pull 12" CTC ADA	—	—	—	—	—	X

Note: "X" denotes availability.

SELECTION GUIDE FOR PULL MOUNTING OPTIONS

PULL TYPE	DESCRIPTION	1	1HD	5	5HD	6	6HD	6R	6RHD	8	8HD	12	12HD	13	13HD	15	15HD
1B	5/8" Round Straight Pull 5-1/2" CTC	X	—	—	—	—	—	—	—	—	—	X	—	—	—	X	—
2C	3/4" Round Straight Pull 6" CTC	X	—	—	—	X	—	X	—	X	—	X	—	—	—	X	—
22C	3/4" Round Straight BTB Pull 6" CTC	—	—	X	—	—	—	—	—	—	—	—	—	X	—	—	—
2D	3/4" Round Straight Pull 8" CTC	X	—	—	—	X	—	X	—	X	—	X	—	—	—	X	—
22D	3/4" Round Straight BTB Pull 8" CTC	—	—	X	—	—	—	—	—	—	—	—	—	X	—	—	—
3D	1" Round Straight Pull 8" CTC	X	X	—	—	—	X	—	X	—	X	—	X	—	—	—	X
33D	1" Round Straight BTB Pull 8" CTC	—	—	—	X	—	—	—	—	—	—	—	—	—	X	—	—
H3D	1" Round Straight Pull 8" CTC ADA	X	X	—	—	—	X	—	X	—	X	—	X	—	—	—	X
H33D	1" Round Straight BTB Pull 8" CTC ADA	—	—	—	X	—	—	—	—	—	—	—	—	—	X	—	—
H3E	1" Round Straight Pull 10" CTC ADA	—	X	—	—	—	X	—	X	—	X	—	X	—	—	—	X
H33E	1" Round Straight BTB Pull 10" CTC ADA	—	—	—	X	—	—	—	—	—	—	—	—	—	X	—	—
H3F	1" Round Straight Pull 12" CTC ADA	—	X	—	—	—	X	—	X	—	X	—	X	—	—	—	X
H33F	1" Round Straight BTB Pull 12" CTC ADA	—	—	—	X	—	—	—	—	—	—	—	—	—	X	—	—
5C	1" 1/2 Round Straight Pull 6" CTC	X	—	—	—	—	—	—	—	—	—	X	—	—	—	—	—
5D	1" 1/2 Round Straight Pull 8" CTC	X	—	—	—	—	—	—	—	—	—	X	—	—	—	—	—
9E	1" Round Offset Pull Handle 10" CTC	—	X	—	—	—	X	—	X	—	X	—	X	—	—	—	X
99E	1" Round Offset Pull Handle BTB 10" CTC	—	—	—	X	—	—	—	—	—	—	—	—	—	X	—	—
11	Cast Pull 5-1/2" CTC	X	—	—	—	—	—	—	—	—	—	X	—	—	—	—	—
12	Cast Pull, Surface Mount, 5-1/2" CTC	X	—	—	—	—	—	—	—	—	—	X	—	—	—	—	—

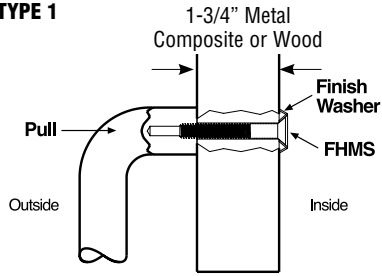
Note: "X" denotes availability.

MOUNTING OPTIONS FOR OFFSET PULL HANDLES- PUSH BAR SETS		MOUNTING TYPES	
TYPE	DESCRIPTION	COMMON END	FREE END
S	Std Thru Bolt For 1-3/4" Metal, Composite or Wood Doors (Default)	5HD	1HD
D	Decorative Thru Bolt for 1-3/4" Metal, Composite or Wood Doors	5HD	12HD
M	Concealed for 1-3/4" Metal Doors	5HD	6HD
W	Concealed for 1-3/4" Composite or Wood Doors	5HD	15HD
G	Decorative Thru Bolt for 1/2" Glass Doors	13HD	8HD

MOUNTING OPTIONS - STRAIGHT PULLS

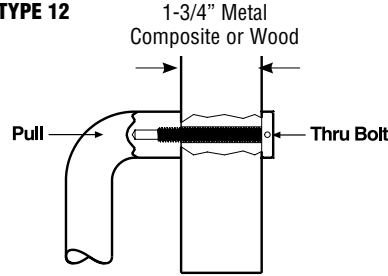
Thru Bolt

TYPE 1



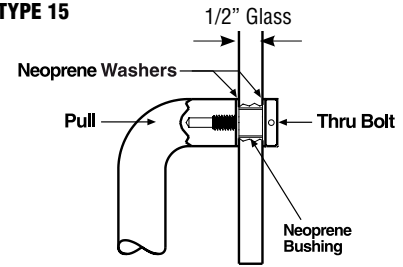
TYPE	BOLT SIZE	DRILL SIZE
1 (DEFAULT)	1/4 - 20	9/32"
1HD	5/16 - 18	11/32"

TYPE 12



TYPE	BOLT SIZE	DRILL SIZE
12	1/4 - 20	9/32"
12HD	5/16 - 18	11/32"

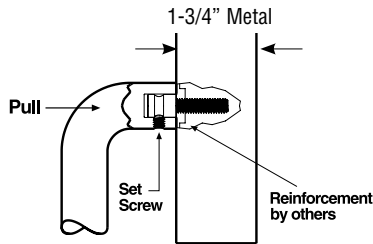
TYPE 15



TYPE	BOLT SIZE	DRILL SIZE GLASS
15	1/4 - 20	5/8"
15HD	5/16 - 18	5/8"

Surface Concealed

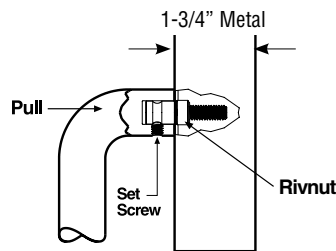
METAL DOOR - TYPE 6



Minimum diameter of pull is 3/4"

TYPE	BOLT SIZE	THREAD SIZE
6	1/4 - 20	1/4 - 20 TAP
6HD	5/16 - 18	5/16 - 18 TAP

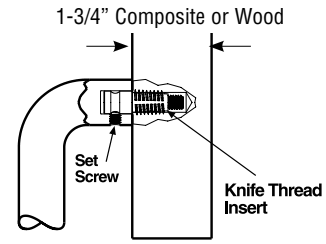
METAL DOOR - TYPE 6R



Minimum diameter of pull is 3/4"

TYPE	BOLT SIZE	DRILL SIZE METAL
6R	1/4 - 20	3/8" X 1-1/4" DP
6RHD	5/16 - 18	1/2" X 1-1/4" DP

WOOD DOOR - TYPE 8

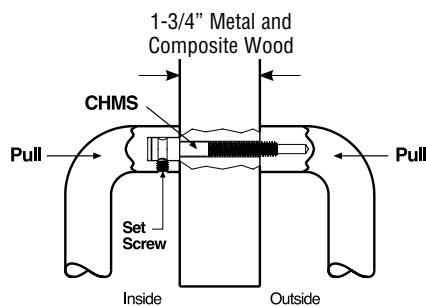


Minimum diameter of pull is 3/4"

TYPE	BOLT SIZE	DRILL SIZE WOOD
8	1/4 - 20	1-1/4" DP
8HD	5/16 - 18	1-1/4" DP

Back to Back

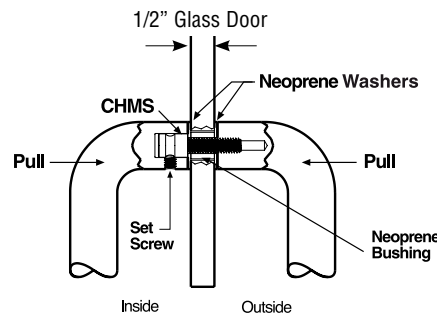
WOOD OR METAL DOOR - TYPE 5



Minimum diameter of pull is 3/4"

TYPE	BOLT SIZE	DRILL SIZE
5 (DEFAULT)	1/4 - 20	9/32"
5HD	5/16 - 18	11/32"

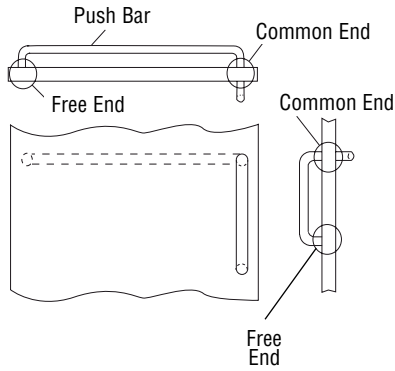
GLASS TYPE 13



Minimum diameter of pull is 3/4"

TYPE	BOLT SIZE	DRILL SIZE GLASS
13 (DEFAULT)	1/4 - 20	5/8"
13HD	5/16 - 18	5/8"

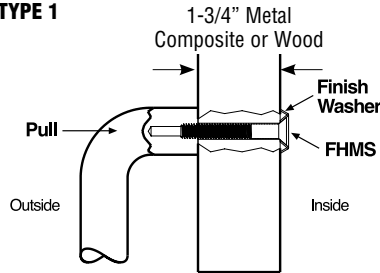
MOUNTING OPTIONS - PULL, OFFSET PULL HANDLES-PUSH BAR SETS



FREE END DETAILS

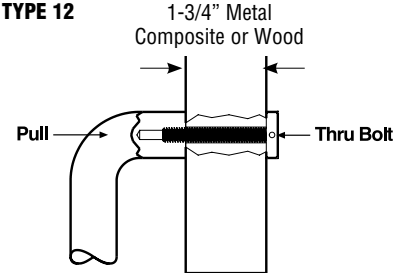
Thru Bolt

TYPE 1



TYPE	BOLT SIZE	DRILL SIZE
1HD	5/16 - 18	11/32"

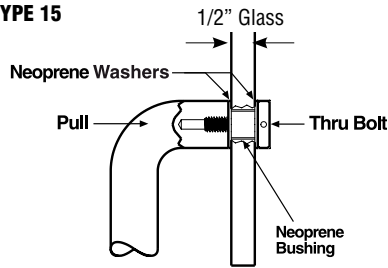
TYPE 12



TYPE	BOLT SIZE	DRILL SIZE
12HD	5/16 - 18	11/32"

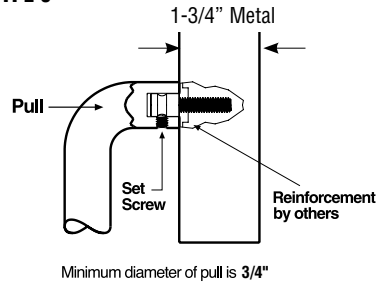
Surface Concealed

TYPE 15



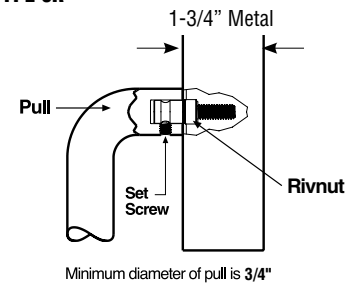
TYPE	BOLT SIZE	DRILL SIZE GLASS
15HD	5/16 - 18	5/8"

TYPE 6



TYPE	BOLT SIZE	THREAD SIZE
6HD	5/16 - 18	5/16 - 18 TAP

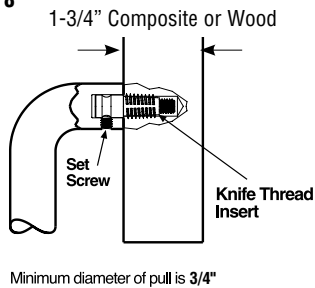
TYPE 6R



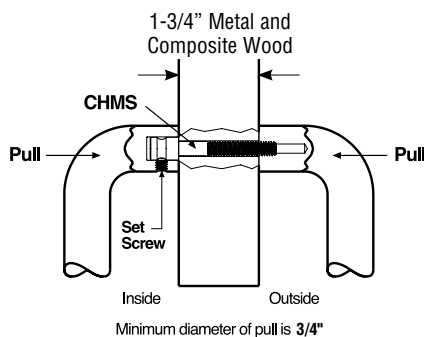
TYPE	BOLT SIZE	DRILL SIZE METAL
6RHD	5/16 - 18	1/2" X 1-1/4" DP

COMMON END DETAILS

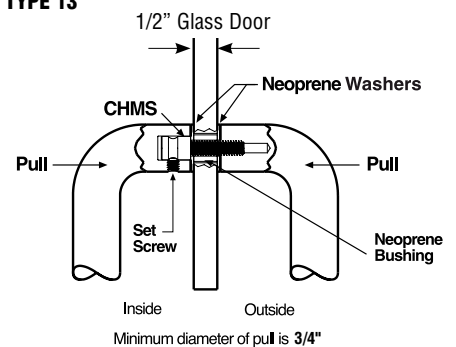
TYPE 8



TYPE 5

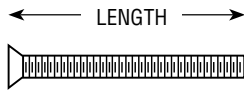


TYPE 13

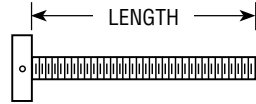


FASTENERS

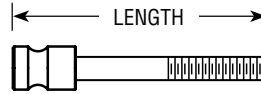
SCREW TYPES



**STANDARD THRU-BOLT
FLAT HEAD MACHINE
SCREW (FHMS)**



**DECORATIVE
THRU BOLT**



**NARROW FHMS WITH STEEL
SLEEVE FOR CONCEALED
AND BACK TO BACK**

FASTENER PACKS FOR DOOR PULLS

Note: Fastener packs for 1-3/4" Steel and Composite Wood or 1/2" Thick Glass Doors. For other door thickness applications, contact PDQ Technical Service.

PART NUMBER (SPECIFY FINISH 605, 613 or 626)	MOUNTING TYPE OPTIONS	DESCRIPTION
9001	1	2 ea. 1/4-20 x 2-1/4" FH MS, 2 ea. 1/4" Finish Washers.
9001HD	1HD	2 ea. 5/16-18 x 2-1/4" FH MS, 2 ea. 5/16" Finish Washers.
9005	5	2 ea. 1/4-20 x 2-3/4" Undersize Head FH MS, 2 ea. 1/4-20 x 3/16" Set Screws, 2 ea. 1/4" x 1/2" Tapered Steel Sleeves, 2 ea. 1/4-20 x 1/2" Threaded Insert.
9005HD	5HD	2 ea. 5/16-18 x 2-3/4" Undersize Head FH MS, 2 ea. 1/4-20 x 1/4" Set Screws, 2 ea. 5/16" x 1/2" Tapered Steel Sleeves, 2 ea. 1/4-20 x 1/2" Threaded Insert.
9006	6	2 ea. 1/4-20 x 1" Undersize Head FH MS, 2 ea. 2 ea. 1/4-20 x 3/16" Set Screws, 2 ea. 1/4" x 1/2" Tapered Steel Sleeves.
9006HD	6HD	2 ea. 5/16-18 x 1" Undersize Head FH MS, 2 ea. 1/4-20 x 1/4" Set Screws, 2 ea. 5/16" x 1/2" Tapered Steel Sleeves.
9006R	6R	2 ea. 1/4-20 x 1-3/4" Undersize Head FH MS, 2 ea. 1/4-20 x 3/16" Set Screws, 2 ea. 1/4" x 1/2" Tapered Steel Sleeves, 2 ea. 1/4-20 Rivnut Inserts.
9006RHD	6RHD	2 ea. 5/16-18 x 1-5/8 Undersize Head FH MS, 2 ea. 1/4-20 x 1/4" Set Screws, 2 ea. 5/16" x 1/2" Tapered Steel Sleeves, 2 ea. 5/16-18 Rivnut Inserts
9008	8	2 ea. 1/4-20 x 1-5/8" Undersize Head FH MS, 2 ea. 1/4-20 x 3/16" Set Screws, 2 ea. 1/4" x 1/2" Tapered Steel Sleeves, 2 ea. 1/4 - 20 Knife Thread Inserts
9008HD	8HD	2 ea. 5/16-18 x 1-5/8 Undersize Head FH MS, 2 ea. 1/4-20 x 3/16" Set Screws, 2 ea. 5/16" x 1/2" Tapered Steel Sleeves, 2 ea. 5/16 - 18 Knife Thread Inserts.
9012	12	2 ea. 1" DIA Head, 1/4-20 x 2-1/4" Decorative Cap Bolts.
9012HD	12HD	2 ea. 1" DIA Head, 5/16-18 x 2-1/4" Decorative Cap Bolts.
9013	13	2 ea. 1/4-20 x 1-3/4" Undersize Head FH MS, 2 ea. 1/4-20 x 3/16" Set Screws, 2 ea. 1/4" x 1/2" Tapered Steel Sleeves, 2 ea. Bushings for 1/2" Thick Glass Door, 4 ea. Neoprene Washer.
9013HD	13HD	2 ea. 5/16-18 x 1-3/4" Undersize Head FH MS, 4 ea. 1/4-20 x 1/4" Set Screws, 2 ea. 5/16" x 1/2" Tapered Steel Sleeves, 2 ea. Bushings for 1/2" Thick Glass Door, 4 ea. Neoprene Washers.
9015	15	2 ea. 1" DIA Head 1/4-20 x 1-1/8" Decorative Cap Bolts, 2 ea. Neoprene Bushings for 1/2" Thick Glass Door, 4 ea. Neoprene Washers.
9015HD	15HD	2 ea. 1" DIA Head 1/4-20 x 1-1/8 decorative Cap Bolts, 2 ea. Neoprene Bushings for 1/2" Thick Glass Door, 4 ea. Neoprene Washers.

Ordering example: 9001 630

MOUNTING OPTIONS FOR OFFSET PULL HANDLES- PUSH BAR SETS		MOUNTING TYPES	
TYPE	DESCRIPTION	COMMON END	FREE END
S	Std Thru Bolt For 1-3/4" Metal, Composite or Wood Doors (Default)	5HD	1HD
D	Decorative Thru Bolt for 1-3/4" Metal, Composite or Wood Doors	5HD	12HD
M	Concealed for 1-3/4" Metal Doors	5HD	6HD
W	Concealed for 1-3/4" Composite or Wood Doors	5HD	15HD
G	Decorative Thru Bolt for 1/2" Glass Doors	13HD	8HD

98 SERIES DOOR PROTECTION PLATES



- Proudly Made in the USA
- Exclusive laser cutting process provides a rounded edge as standard.
- Optional Pencil/Polish process provides a heavy beveled type edge.
- Provides protection for the bottom of the door from scuffing due to foot traffic or cleaning maintenance
- Recommended for all doors especially when using a door closer.



SPECIFICATIONS:

- MATERIAL:** • Stainless Steel Grade 304, Brass, Aluminum
- THICKNESS:** • 0.050"
- MOUNTING FASTENERS:** • #6 x 5/8 OH PH SMS
- FINISHES:** • 605 (US3) Bright Brass and 613 (US10B), 628 (US28) Aluminum, • 630 (US32D) Satin Stainless Steel
- OPTIONS:** • BV - Edge Treatment, Beveled on 3 sides
• CS - Countersunk Holes

HOW TO ORDER

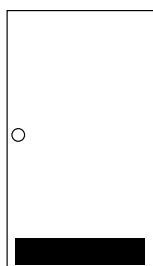
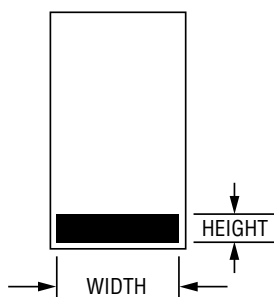
SERIES		WIDTH		OPTIONS EDGE TREATMENT	
98		28 — 28" 34 — 34" 35 — 35" 40 — 40" 41 — 41" 46 — 46"		BV — HEAVY BEVELED EGDE, 3 SIDES	
98	06	34	630	—	—
06 — 6" 08 — 8" 10 — 10"		605 BRIGHT BRASS 613 OIL RUBBED BRONZE 628 SATIN ALUMINUM, ANODIZED 630 SATIN STAINLESS STEEL 630AM SATIN STAINLESS STEEL WITH ANTIMICROBIAL		CS — COUNTERSUNK HOLES	
HEIGHT		FINISH		MOUNTING HOLES	

Ordering Example: 98 06 34 630

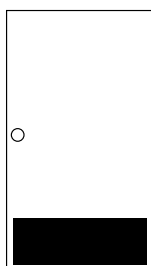
Notes: 1 - Antimicrobial protected coating available with 630 only.

SELECTION GUIDE

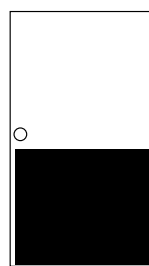
TYPES



MOP PLATE
UP TO 6" H
X 48" W



KICK PLATE
6" TO 12" H
X 48" W



ARMOR PLATE
UP TO 48" H
X 48" W AND
AVAILABLE IN
MOST FINISHES

General Guidelines for Determining Plate Width:

For Push Side of Door: Use 2" less than the total width of the door.

For Pull Side of the Door: Use 1-1/2" less than the total width of the door.

FINISHES

ARCHITECTURAL

605 (US3) Bright Brass, Clear Coated	606 (US4) Satin Brass, Clear Coated	612 (US10) Satin Bronze, Clear Coated	613 (US10B) Oil Rubbed Bronze, Oxidized Satin, No Coating	626 (US26D) Satin Chromium Plated, No Coating	628 (US28) Aluminum	629 (US32) Bright Stainless Steel, No Coating	630 (US32D) Satin Stainless Steel, No Coating

SPECIAL FINISH COATING

Available with antimicrobial technology that is known to inhibit the growth of microbes. Offered on 630 Satin Stainless Steel only.

Finishes shown are representative only. Not all products are available in all finishes listed.

WHEN TIME EQUALS MONEY

PDQ'S *PRIORITY QUICKSHIP* DELIVERS

AUBURN, WA

SALT LAKE CITY, UT

KANSAS CITY, MO

2754 CREEK HILL ROAD
LEOLA, PA 17540

Our Five Distribution Centers are ideally located to provide quick delivery throughout the entire United States. Priority Quickship items will ship same day or next day after the order is received. Contact your sales representative or PDQ Customer Service for more information.



Headquarters: 2754 Creek Hill Road • Leola, PA 17540 • 800.441.9692 • 717.656.6892 Fax
Regional Distribution Centers: Kansas City, MO, Salt Lake City, UT, Seattle, WA
www.pdqlocks.com

PDQ'S Pulls, Push and Pull Plates Series Brochures are now printed entirely on Forest Stewardship Council™ certified paper. FSC Certification ensures that the paper used in this catalog contains fiber from well-managed and responsibly harvested forests that meet strict environmental and socioeconomic standards. We're proud to be one of the first hardware manufacturers in the country to make this significant move to help our environment. The FSC logo on our brochure signals not only FSC Certification, but also PDQ's commitment to improving the environment.

