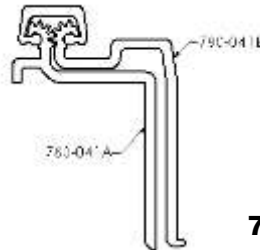


ROTON Hinge U.L. Fire-Rated Studs – 780-041

These instructions outline how to install the optional stainless steel studs (4) for ROTON Hinge model 780-041. All four studs must be used in order to comply with U.L. requirements for composite wood fire doors rated up to 90 minutes and metal fire doors rated up to 3 hours.



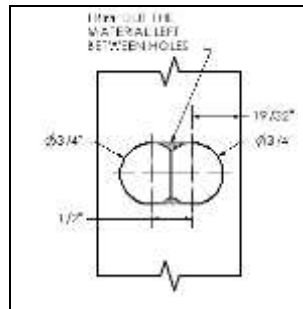
780-041

A. Materials Needed

1. Stainless steel studs (4).
2. Drill, 3/4" diameter bit, #16 (.177") bit, 12-24 thread tap.
3. #10 spanner screwdriver.

B. Installation

1. Install the hinge in accordance with the standard installation instructions furnished with the hinge.
2. On the frame leaf, drill and tap 12-24 in the center of the four (4) pre-drilled 3/4" holes.
3. On the door leaf, drill a 3/4" diameter hole in each end of the slots on the leave. Trim out the material left between each horizontal pair of holes to create a 3/4" x 1-1/4" slot in the door leaf.



4. Insert a stud into each of the four #12-24 threaded holes on the frame and tighten securely using a #10 spanner screwdriver.
5. Close the door slowly to assure that the studs are properly aligned. Any minor interference can be corrected using a rat-tail file.

