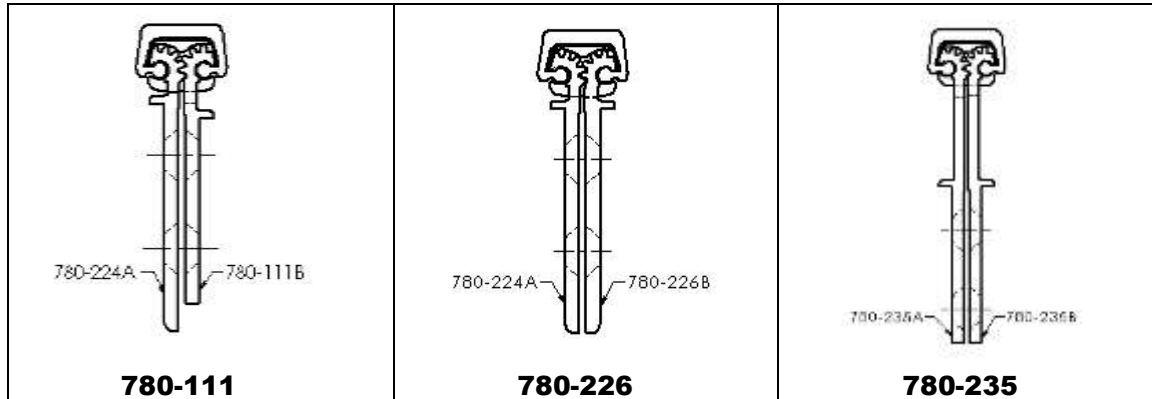


## **ROTON Hinge U.L. Fire-Rated Studs – 780-111, -226, -235**

These instructions outline how to install the optional stainless steel studs (4) for ROTON Hinge models 780-111, 780-226 and 780-235. All four studs must be used in order to comply with U.L. requirements for composite wood fire doors rated up to 90 minutes and metal fire doors rated up to 3 hours.



### **A. Materials Needed**

1. Stainless steel studs (4).
2. Drill, 7/8" diameter bit, #16 (.177") bit, 12-24 thread tap.
3. #10 spanner screwdriver.

### **B. Installation**

1. Install the hinge in accordance with the standard installation instructions furnished with the hinge.
2. At the center of each 3/4" diameter pre-drilled hole in the *frame leaf*, drill and tap a #12-24 threaded hole into the frame (four places).
3. At each 3/4" diameter pre-drilled hole in the *door leaf*, drill a 3/4" diameter x 5/8" deep hole into the edge of the door (four places).
4. Insert a stud into each of the four #12-24 threaded holes on the frame and tighten securely using a #10 spanner screwdriver.
5. Close the door slowly to assure that the studs are properly aligned. Any minor interference can be corrected using a rat-tail file.

