

SCHLAGE

## CO-250

Standalone electronic lock



Images shown are not to scale.

### Overview

The CO Series is the ideal solution for customers seeking the added security and convenience of electronic access control without the cost or complexity of a fully networked system.

The CO-250 is a computer programmable offline lock that stores user rights on the magnetic stripe credential, and captures an audit trail in the lock. The CO-250 provides dynamic rights management, meaning you do not have to visit the door to change user access rights. This makes it a cost effective solution for offline environments with a large number of users. The CO-250 also allows you to retrieve audits by using the Handheld Device (HHD) in conjunction with your access control software.

The CO-250 from Schlage offers you many choices. Cylindrical, mortise, mortise deadbolt, and exit trim chassis options are available as well as a wide variety of finishes and levers to suite with your existing hardware.

Mechanical key override is standard and compatible with multiple cylinder types. The CO Series is also compatible with many popular brands of exit devices.

The CO Series has been tested the highest standards in the industry to ensure quality and reliability you have come to expect from Schlage. The CO Series is ANSI/BHMA A156.25, ANSI/BHMA Grade 1 certified and UL 294 Listed.

### Features and benefits

- Computer programmable with audit trail
- Unlimited number of users and up to 4000 audits<sup>1</sup>
- Available with magnetic stripe and magnetic stripe plus keypad
- Up to 32 holidays and 16 time zones<sup>1</sup>
- ANSI/BHMA A156.25, ANSI/BHMA Grade 1 certified and UL 294 Listed
- User rights stored on the magnetic stripe credential
- The ability to easily add and delete users
- Available in cylindrical, mortise, mortise deadbolt, and exit trim
- Compatible with major brands of key systems and exit devices
- Classroom/storeroom, office, and privacy functions available

<sup>1</sup> Depending on access control software.

## CO-250 electronic lock specifications

|                                  |  |
|----------------------------------|--|
| Users                            | Unlimited <sup>1</sup>   |
| Audits                           | Up to 4,000 <sup>1</sup>   |
| Credential verification time     | ≤ 1 second   |
| Visual/audible communications    | Tri-colored LED's and audible indicators (field configurable)                    |
| System Interface                 | Handheld device  |
| Power supply                     | 4 AA batteries   |
| Battery life                     | Up to 2 yrs with 4 AA batteries  |
| Operating temperature - exterior | -31° to 151°F (-35° to 66°C)   |
| Operating temperature - interior | 32° to 120°F (0° to 49°C) due to batteries                                       |
| Operating humidity               | 0 - 100% non-condensing  |
| Certifications                   | ANSI/BHMA A156.25, ANSI/BHMA Grade 1, UL 294, UL 10 C, FCC Part 15, ADA and RoHS |
| Accessories                      | Handheld Device (HHD), magnetic stripe credential encoder (CL-Encoder 2)         |

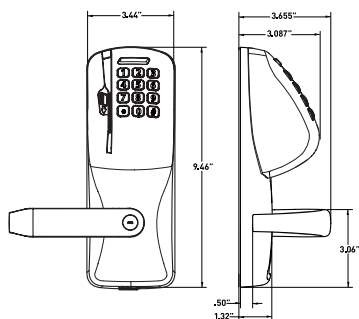
### Functions

- Classroom/storeroom<sup>2</sup>
- Office<sup>2</sup>
- Privacy<sup>3</sup>

### Standard status signals

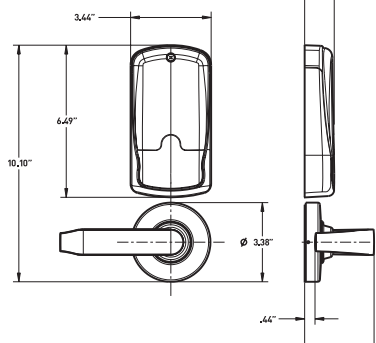
- Mechanical key override
- Battery status

#### Exterior of the lock

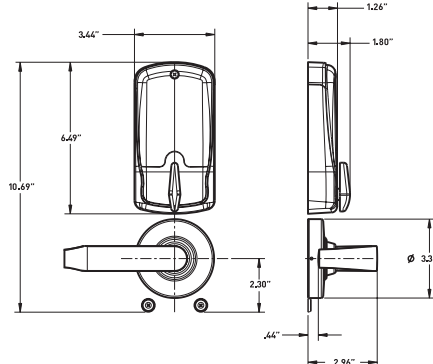


#### Interior of the lock

##### Cylindrical



##### Mortise deadbolt



## Schlage Utility Software on Handheld Device

The Schlage Utility Software (SUS) on the Handheld Device (HHD) provides an easy way to manage people, audits and locks for simple access control management.

#### Schlage Utility Software

- Initialize lock and accessories
- Field configure devices
  - Credential reader formats
  - Lock function
  - Unlock period
  - Failure mode
  - Audible alarm on/off
- Service and diagnostics
  - Battery status
  - Validate hardware and software revision
  - Troubleshooting status signals
- New device template simplifies configuration

#### HHD

- 3.5 inch display
- Touch screen/keypad backlit
- 32-bit processor
- OS: Windows Mobile 6.5
- Memory: 128 MB RAM/ 256 MB ROM
- Battery: rechargeable Li-ion
- Dimensions: 5.1" x 2.8" x 0.65" (13.0 cm x 7.2 cm x 1.7 cm)
- Weight: 0.42 lbs (190 g)
- 5 ft (1.2 m) drop to steel surface, 2 drops per 6 sides



The HHD connects with AD Series and CO Series locks and accessories via the USB interface

For replacement HHD devices with a serial cable connection, please contact Technical Support at 877.671.7011.

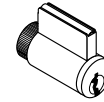
<sup>1</sup> Depending on access control software.

<sup>2</sup> Classroom/storeroom and office function not available with mortise deadbolt option. To ensure safety, all functions always allow for free egress.

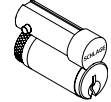
<sup>3</sup> Door position switch is required for cylindrical and mortise chassis with privacy function.

## Mechanical specifications

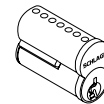
| Chassis                          | Cylindrical  | Mortise  | Exit trim               |
|----------------------------------|--|--|-------------------------|
| Handing                          | Handed to order, field reversible  |  |                         |
| ANSI standard (Meets or exceeds) | A156.25<br>A156.2 Series 4000<br>Grade 1   | A156.25<br>A156.13 Series 1000<br>Grade 1                      | A156.25<br>A156.3       |
| Door thickness                   | 1 3/4" standard, 1 3/8" to 2 3/4" optional (available in 1/8" increments)  |  |                         |
| Backset                          | Standard: 2 3/4"<br>Optional: 2 3/8", 3 3/4", 5"   | 2 3/4" only  | Defined by exit device  |
| Latch bolt                       | Standard: 1/2" throw<br>Optional: 3/4" throw   | Standard: 3/4" throw<br>Optional: 1" throw on mortise deadbolt | Provided by exit device |
| Levers                           | For lever base metals see lever and cylinder compatibility data sheet (010432)   |  |                         |
| Strike                           | Standard: 1 3/16" lip, ANSI, 1 1/4" x 4 7/8"<br>Optional: Additional configurations available please see price book  |  | Provided by exit device |
| Cylinder and keys                | Schlage 6-pin Everest 29 S123 keyway cylinder with two patented keys standard. Additional options available including Standard, SFIC, FSIC and competitor brands. See lever and cylinder compatibility data sheet (010432) |  |                         |
| Exit device compatibility        | See CO Series exit trim compatibility data sheet (004183)  |  |                         |



Full cylinder



Full Size Interchangeable Core



Small Format Interchangeable Core

## Available CO-250 reader specifications



### Magnetic stripe

- Triple track reader (1, 2 or 3), field configurable
- ABA, ISO76XX standard
- 12 button, 3x4 matrix keypad



### Magnetic stripe

- KEYPAD
- Triple track reader (1, 2 or 3), field configurable
- ABA, ISO76XX standard

# Ordering information

Available through one of our GSA schedule 84 approved distributions

| Required fields            |       |         |          |        |             | Factory defaults and options |                |             |         |                   |        |                |
|----------------------------|-------|---------|----------|--------|-------------|------------------------------|----------------|-------------|---------|-------------------|--------|----------------|
| CO-250-CY-70-MS-SPA-626-PD |       |         |          |        |             | -S123-RH-13-049-10-025-1 3/4 |                |             |         |                   |        |                |
| Series                     | Class | Chassis | Function | Reader | Lever style | Finish                       | Lever cylinder | Keying type | Handing | Backset and latch | Strike | Door thickness |
| 1                          | 2     | 3       | 4        | 5      | 6           | 7                            | 8              | 9           | 10      | 11                | 12     | 13             |

Selections correspond with the numbers above

Standards options are indicated in bold. See price book for specific configuration options.

| 3     | Chassis                  |
|-------|--------------------------|
| CY    | Cylindrical              |
| MS    | Mortise                  |
| MD    | Mortise deadbolt         |
| 993R  | Exit trim – Rim/CVC/CVR  |
| 993S  | Exit trim – SVR          |
| 993M  | Exit trim – mortise      |
| 993DT | Dummy exit trim          |
| 4     | Function                 |
| 70    | Classroom/storeroom      |
| 50    | Office                   |
| 40    | Privacy                  |
| 5     | Reader                   |
| MS    | Magnetic stripe          |
| MSK   | Magnetic stripe + keypad |
| 6     | Lever                    |
| SPA   | Sparta                   |
| RHO   | Rhodes                   |
| ATH   | Athens                   |
| TLR   | Tubular                  |

Available with knurled surface

| 7     | Finish                      |
|-------|-----------------------------|
| 626   | Satin chrome                |
| 605   | Bright brass                |
| 606   | Satin brass                 |
| 612   | Satin bronze                |
| 619   | Satin nickel                |
| 625   | Bright chrome               |
| 643e  | Aged bronze                 |
| 626AM | Satin chrome antimicrobial  |
| 8     | Lever cylinder type         |
| PD    | Schlage 6-pin full cylinder |

See price book for other SFIC, FSIC and less cores options available. Compatible with Schlage, Sargent, Corbin, Medeco and Yale.

| 9    | Keyway type |
|------|-------------|
| S123 | Everest 29  |

See price book for other available keyway options including master keying

| 10  | Handing              |
|-----|----------------------|
| RH  | Right handed         |
| RHR | Right handed reverse |
| LH  | Left handed          |
| LHR | Left handed reverse  |

Field reversible

| 11                 | Backset and latch or armor front                                 |
|--------------------|--|
| <b>Cylindrical</b> |  |
| <b>13-049</b>      | <b>2 3/4" backset, deadlatch, square corner, 1 1/8" x 2 1/4"</b> |
| <b>Mortise</b>     |  |
| <b>09-663</b>      | <b>Armor front, 1 1/4" wide, square corner</b>                   |

See price book for mortise deadbolt and other backset and latch options or armor front options

| 12                 | Strike   |
|--------------------|--|
| <b>Cylindrical</b> |  |
| <b>10-025</b>      | <b>1 3/16" lip, ANSI, no box, 1 1/4" x 4 7/8"</b>      |
| <b>Mortise</b>     |  |
| <b>10-072</b>      | <b>1 3/16" lip, 1 1/4" x 4 7/8" square corner, box</b> |

See price book for other available strikes

| 13  | Door thickness |
|---|----------------|
| 1 3/4"  |                |
| Other thicknesses available between 1 3/8" and 2 3/4" |                |

See price book for details

## Lever styles

Standard cylinders shown, SFIC and FSIC also available.



Sparta Rhodes



Athens Tubular

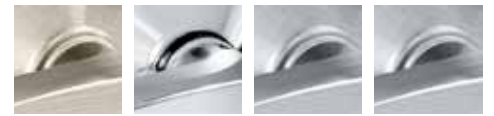
## Finishes

Warm tone finishes



605 Bright brass 606 Satin brass 612 Satin bronze 643e Aged bronze

Cool tone finishes



619 Satin nickel 625 Bright chrome 626 Satin chrome 626AM Satin chrome with antimicrobial

Allegion, the Allegion logo, Schlage, the Schlage logo, Von Duprin and Falcon are trademarks of Allegion plc, its subsidiaries and/or affiliates in the United States and other countries. All other trademarks are the property of their respective owners.

## About Allegion

Allegion (NYSE: ALLE) creates peace of mind by pioneering safety and security. As a \$2 billion provider of security solutions for homes and businesses, Allegion employs more than 8,000 people and sells products in more than 120 countries across the world. Allegion comprises 27 global brands, including strategic brands CISA®, Interflex®, LCN®, Schlage® and Von Duprin®. For more, visit [www.allegion.com](http://www.allegion.com).

aptiQ ■ LCN ■ SCHLAGE ■ STEELCRAFT ■ VON DUPRIN



ALLEGION™

© 2014 Allegion  
004184, Rev. 02/15  
[www.allegion.com/us](http://www.allegion.com/us)