

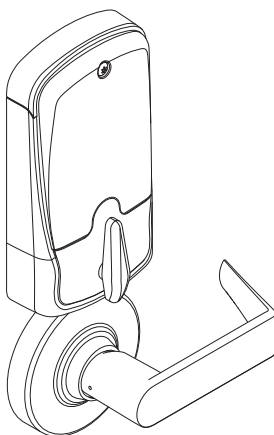
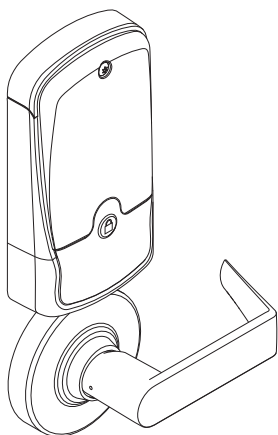
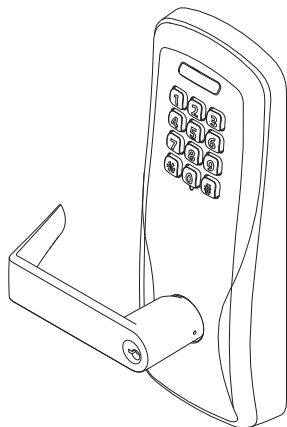


P516-270



CO-100

Offline lock user guide
Instructions for CO-Series offline locks



Para el idioma español, navegue hacia www.schlage.com/support.
Pour la portion française, veuillez consulter le site www.schlage.com/support.

Contents

Overview	3
Getting started	4
Construction access mode	4
Manual lock programming	5
Credential types	5
Programming legend	5
Manual programming commands	6
Error codes	7
Test lock operation	8
Mechanical test	8
Electronic test	8
Normal lock operation	8
Lock status reports	9
Reset to factory defaults	10
Batteries	11
To install or replace alkaline batteries	11
Low battery indications	11
Battery failure mode	11
LED reference	12
Schlage button	12
Optional Inside Push Button (IPB)	12
Troubleshooting	12
FCC Statements	12

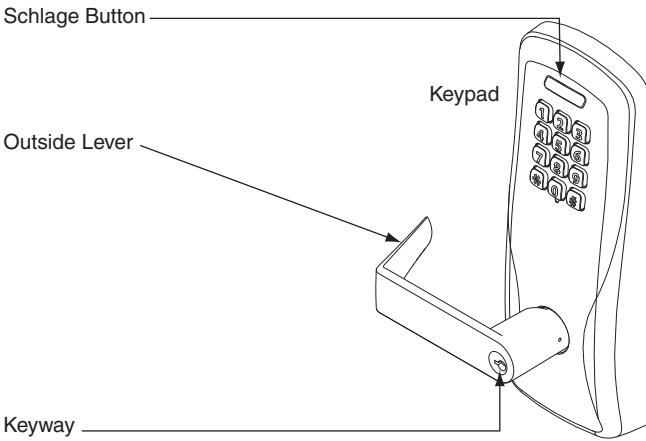
This product is compliant of UL 294 and ULCS319 standard. This product's compliance would be invalidated through the use of any add-on, expansion, memory or other module that has not yet been evaluated for compatibility for use with this UL Listed product, in accordance with the requirements of the Standards UL 294 and ULCS319. This product has been evaluated for ULC-S319 Class I.

Overview

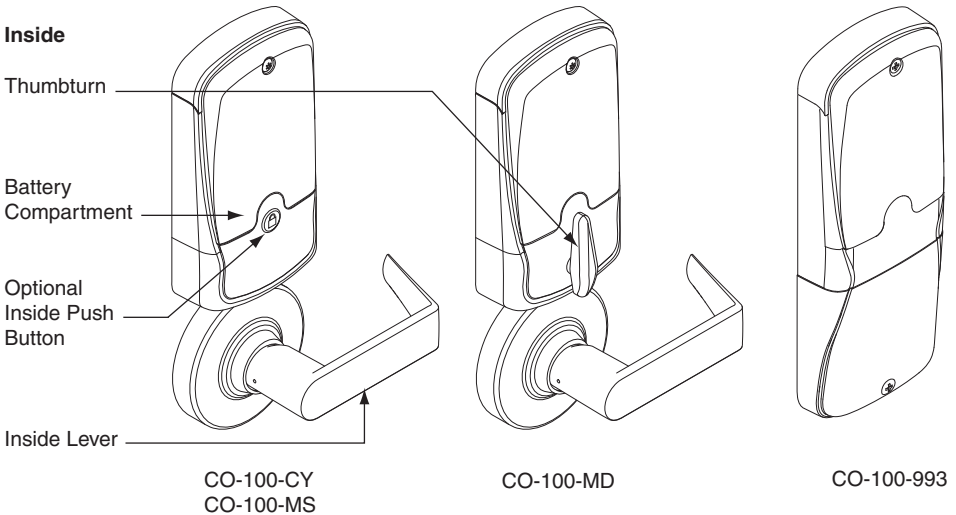
The Schlage CO-100 is a keypad-only off-line electronic lock in the CO-Series product line.

- This product is listed for UL294 and ULCS319.
- Two factory-configured functions are available: 1) Classroom/Storeroom, and 2) Office.
- The lock is powered by four (4) AA batteries. See *Batteries* on page 11 for more information.
- Outside lever is normally locked.
- Inside lever always allows egress.

Outside



Inside



Getting started

Follow these steps when setting up a new lock.

1. Install the lock. See the installation guide that came with the lock, or visit www.schlage.com/support, for more information.
2. Test the lock for proper mechanical and electronic operation. See *Test lock operation* on page 8 for more information.
3. When ready to set up for normal use, enter a new programming code, then program the user credentials. See *Manual lock programming* on page 5 for more information.
4. Familiarize yourself with the information in this guide.

Save this user guide for future reference.

Construction access mode

Construction access mode is used to allow access before the lock has been programmed, and for testing purposes. Construction access mode is enabled by default.

Offline locks with keypads have a default PIN of 13579 and “#”, which can be used for installation, testing and construction access.

- To test, enter the default PIN (13579 and “#”).
- The Schlage button will blink and the lock will unlock.
- The default PIN is automatically deleted when a new programming credential is created.

TIP

If you press the default PIN code on a new lock and the code is not accepted, the lock has already been programmed.

If the new PIN is not known, or to put the lock back into construction access mode, reset the lock to factory settings. See *Reset to factory defaults* on page 10 for more information.

Manual lock programming


Left LED →  ← Right LED



Credential types

Credential type	Function	Description	Default PIN
Programming	Used to program the lock – does not unlock the lock	Five-digit code	97531 and *
Normal use	Unlocks the lock momentarily	PIN (3 - 6 digits)	13579 and #
Toggle	Changes the state of the lock unless in Freeze state	PIN (3 - 6 digits)	
Freeze	Maintains the lock in current state until Freeze PIN is entered again	PIN (3 - 6 digits)	
Pass-Through	Unlocks a lock momentarily, regardless of state	PIN (3 - 6 digits)	

Programming legend








Symbol	Description
[Programming Code] ¹	Five-digit code, identical to programming credential code listed in the credential types table.
[PIN]	Three- to Six-digit code. A PIN can be any of the PIN code types listed in the credential types table.
*	Asterisk key on the keypad
0 - 9	Number keys on the keypad
	Schlage button

TIP
Use the same programming code for all locks in the facility.

¹ Programming codes such as 1-1-1-1-1 or 1-2-3-4-5 can be easily selected by non-authorized users and should not be used.

Manual programming commands

- ① Commands are confirmed by five alternating green blinks of the Schlage button.
- ① Programming mode will time out if no entry is made in 20-25 seconds. Timeout is indicated by red blinks of the Schlage button, three left and nine right at the same time.
- ① The right LED on the Schlage button will blink green to indicate an incorrect entry. To interpret blink patterns, refer to *Error codes* on page 7.



Function	Press	Wait For Confirmation ¹
Change [Programming Code]	[Programming Code] *	Wait for  to stop flashing between each step.
	7 *	
	New [Programming Code] *	
	New [Programming Code] *	
Add Normal Use PIN	[Programming Code] *	Wait for  to stop flashing between each step.
	3 *	
	▶ New [PIN] * *	
	add another PIN OR * to finish	
Add Toggle PIN	[Programming Code] *	Wait for  to stop flashing between each step.
	3 3 *	
	1 9 1 *	
	▶ New [PIN] * *	
add another PIN OR * to finish		
Add Freeze PIN	[Programming Code] *	Wait for  to stop flashing between each step.
	3 3 *	
	1 1 5 *	
	▶ New [PIN] * *	
add another PIN OR * to finish		
Add Pass-Through PIN	[Programming Code] *	Wait for  to stop flashing between each step.
	3 3 *	
	1 1 9 *	
	▶ New [PIN] * *	
add another PIN OR * to finish		
Delete a PIN	[Programming Code] *	Wait for  to stop flashing between each step.
	5 *	
	[PIN] to be deleted *	
	* to finish	
Change Relock Time	[Programming Code] *	Wait for  to stop flashing between each step.
	9 9 *	
	1 *	
	Each button press adds to the total delay time Example: ① + ⑨ adds a 10 second delay * to finish	

¹ Other lights may show before the final confirmation. Wait for final confirmation before continuing to the next step.

² Change PIN length is available with firmware version 2.5.0 or higher.

Manual programming commands

- ① Commands are confirmed by five alternating green blinks of the Schlage button.
- ① Programming mode will time out if no entry is made in 20-25 seconds. Timeout is indicated by red blinks of the Schlage button, three left and nine right at the same time.
- ① The right LED on the Schlage button will blink green to indicate an incorrect entry. To interpret blink patterns, refer to *Error codes* on page 7.

Function	Press	Wait For Confirmation ¹
Disable/Enable Beeper	[Programming Code] (*)	Wait for  to stop flashing between each step.
	9 9 *	
	3 *	
	0 * to disable beeper OR 7 * to enable beeper	
Change PIN Length ²	[Programming Code] (*)	Wait for  to stop flashing between each step.
	9 9 *	
	4 *	
	Press 3, 4, 5, OR 6 for desired PIN length * to finish	
<p>1 Other lights may show before the final confirmation. Wait for final confirmation before continuing to the next step.</p> <p>2 Change PIN length is available with firmware version 2.5.0 or higher.</p>		

Error codes

- ① All error codes are indicated on the Schlage button by a solid red LED and a blinking green LED. The number of green blinks indicates the error code.

Number of green blinks	Error code description
1	Computer programming error (not complete).
2	Too long programming/user code entered. Programming code must be five (5) digits. User code length cannot exceed eight (8) digits.
3	Memory full, too many codes. Delete some codes.
4	Programming code cannot be deleted, only changed.
5	Programming code entries do not match. Programming code not changed.
6	Invalid command. Invalid function code entered.
7	Code not found.
8	Code too short. Programming code length must be five (5) digits. User code minimum length is three (3) digits.
9	Not a unique code.
10	Manual programming not allowed.

Error code functions have not been verified by Underwriters Laboratories Inc.

Test lock operation

If you encounter problems while performing any of the following tests, review the installation guide and correct any problems.

Mechanical test

1. Rotate the inside lever or depress the push bar to open the door. Operation should be smooth, and the latch should retract.
2. Insert the key into the keyway and rotate the key and the outside lever to open the door. Operation should be smooth, and the latch should retract.

Electronic test

1. Press any number key. The lock will beep. Use the default PIN (13579 and “#”) to verify access.

Normal lock operation

After PIN credentials have been programmed, enter a PIN to operate the lock as follows:


Credential	Action
Press a valid PIN	Green LED will blink and access granted

- ① **The “#” key is used as ENTER key for PINs with fewer than six digits. Default minimum digits is six (6). PIN length may be manually configured so users do not have to push the “#” key (see *Change PIN Length2 on page 7*).**
- ① **If the PIN credential is entered incorrectly, press “*” to start over.**

Lock status reports

Follow the steps below to obtain lock status reports:

- ① **Lock status reporting is available with firmware version 2.5.0 or higher.**
- ① **The left and right Schlage button LEDs will blink red once with each button press, followed by the status indicator as described below.**

Function/ Report	Press	Indicator/Report result
Initiate report mode	Press and hold  while pressing 9 9 #	Wait until only the right Schlage button LED is on to indicate the lock is in report mode and awaiting an entry. If no entry is made, then timeout will occur in 20 seconds.
Battery status	①	Left LED: Solid green = excellent Blinking green = good Blinking red = low No indicator = critical battery

Once a status is reported, both left and right LEDs will light green, followed by solid green on the right LED only. The right green LED indicates the lock is awaiting another entry.

Obtain an additional status report as described below, or press * * to exit report mode.

Function/ Report	Press	Indicator/Report result
Firmware status	③	Left LED blinks green for the version number
Hardware status	④	Decimal point is indicated by one red blink “Zero” is indicated by two red blinks
PCB serial number	⑥	Left LED blinks green for each number Each number is separated by two red blinks Press # after two red blinks to display the next number

If no entry is made within 20 seconds of the solid green right LED, then timeout will occur.

To exit report mode at any time, press * * .

Reset to factory defaults

All information in the main controller in the lock will be deleted and reset to factory defaults!

Main controller configurations that will reset to factory default include: programming and user codes.

The door must be locked (not toggled open or in the middle of normal access) before resetting to factory defaults.

Follow these steps to reset to factory defaults.

1. Remove the top inside cover.
2. Remove one battery from the battery pack to disrupt power. Wait 5 to 10 seconds for power to run out in the lock.
3. Press and hold the Schlage button while reconnecting the battery into the battery pack to resupply power.
4. Continue holding the Schlage button, and wait for two beeps to sound and two green blinks of the Schlage button.
5. Release the Schlage button.
6. Press and release the Schlage button three (3) times within 10 seconds of the beeps and blinks at step 4. One beep will sound and one red blink will occur with each press.
7. The Schlage button will light green for one second and a one-second beep will sound, indicating that the lock has been reset.

① **If the Schlage button is not pressed 3 times within 10 seconds, two beeps and two red blinks indicate timeout.**

8. Replace the top inside cover.

To test, enter 13579 and “#”. The Schlage button will blink and the lock will unlock momentarily.

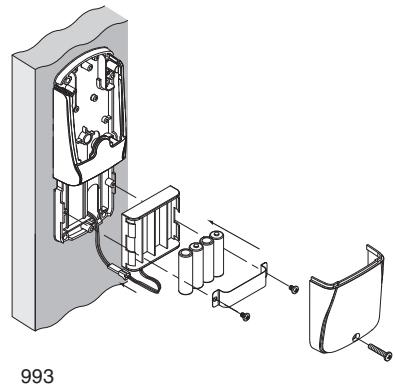
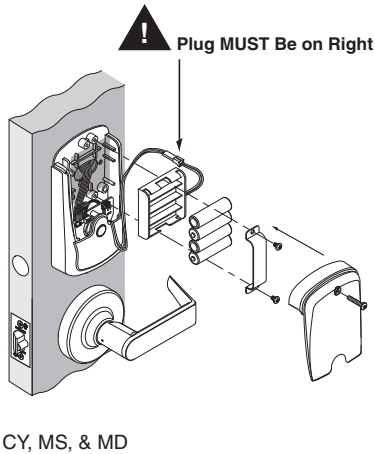
To install or replace alkaline batteries

① Changing batteries does not affect any programmed data.

1. Remove the battery cover.
2. Remove the battery bracket. Do not allow the battery pack to hang from the wires.
3. Install the new batteries (install only new AA Alkaline batteries). Make sure the batteries are installed in the correct orientation.
4. Reinstall the battery pack and battery bracket.
5. Reinstall the battery cover, making sure the plug is to the right of the battery pack (CY, MS and MD locks). **Be careful not to pinch the battery wires when installing the battery cover.**

CAUTION! Danger of explosion if batteries are incorrectly replaced! Replace only with new AA alkaline batteries. Dispose of used batteries according to the manufacturer's instructions.

This product has been evaluated for ULC-S319 compliance with Duracell Procell PC1500 AA alkaline batteries and Panasonic CR2025 lithium coin cell. For installations requiring ULC-S319, these battery models should be used.



Low battery indications

Condition	Indicator	Solution
Batteries low	After credential PIN is pressed, 9 red blinks of Schlage button, then normal indicator.	Replace batteries immediately to avoid battery failure. Lock is intended to operate for 500 cycles in low battery condition.
Battery failure	No LED or beeps Valid credentials do not grant access	Replace batteries immediately. Mechanical override key must be used to unlock the lock.

Battery failure mode

In the event of battery failure, the lock will fail As-Is (lock remains in current state, locked or unlocked, until batteries are replaced).

LED reference

Schlage button

Condition	Lights
Access denied	2 red blinks
Valid PIN entered while lock in Freeze mode	12 red blinks indicating lockout
Factory default reset	One-second solid green with one-second beep
Low battery indicator, AA batteries	9 left red blinks
Momentary unsecured access	1 green blink, then one red blink on relock

Optional Inside Push Button (IPB)

Action	Lights
Office Mode	
Press IPB to lock	1 red blink
Press IPB to unlock ¹	1 green blink

¹ Unlocking the lock with the IPB will cause the lock to remain unlocked until the IPB is depressed again.

Troubleshooting

Problem	Possible cause	Solution
The lock does not function when a valid PIN credential is entered, or the lock beeper does not sound.	The beeper may be turned off. The battery or wired power may be improperly connected. The batteries may be inserted with incorrect polarity. The batteries may be depleted. If applicable, the IPB through-door ribbon cable may not be properly plugged in, or may have bent pins.	Use manual programming to enable the beeper (see <i>Disable/Enable Beeper</i> on page 7). Check that the battery or wired power is connected correctly. Check that batteries are inserted in the correct polarity. Replace batteries. Check that the optional IPB through-door ribbon cable is plugged in correctly (if applicable). The red wire should be on the left and not pinched in the door. Check that there are no bent pins on the optional IPB through-door cable. <i>Refer to the installation instructions that came with the CO-100 lock, or this user guide for details on the above mentioned procedures.</i>

FCC Statements



This device complies with Part 15 of the FCC Rules. Operation is subject to the following two conditions:

1. this device may not cause harmful interference, and
2. this device must accept any interference received, including interference that may cause undesired operation.

Customer Service

1-877-671-7011 www.allegion.com/us



ALLEGION

© Allegion 2014
Printed in U.S.A.
P516-270 Rev. 03/14-e