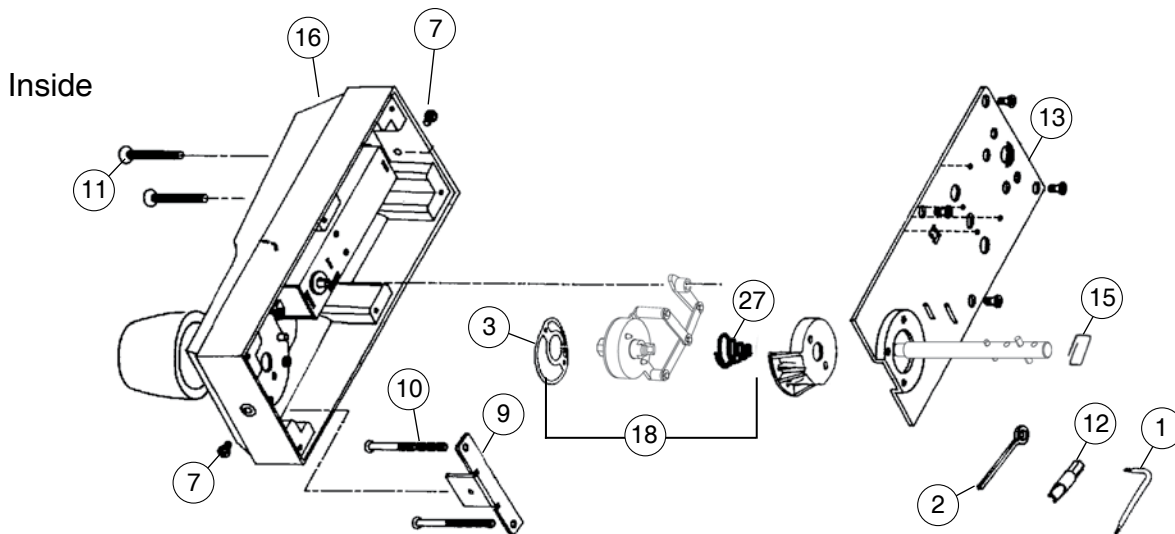
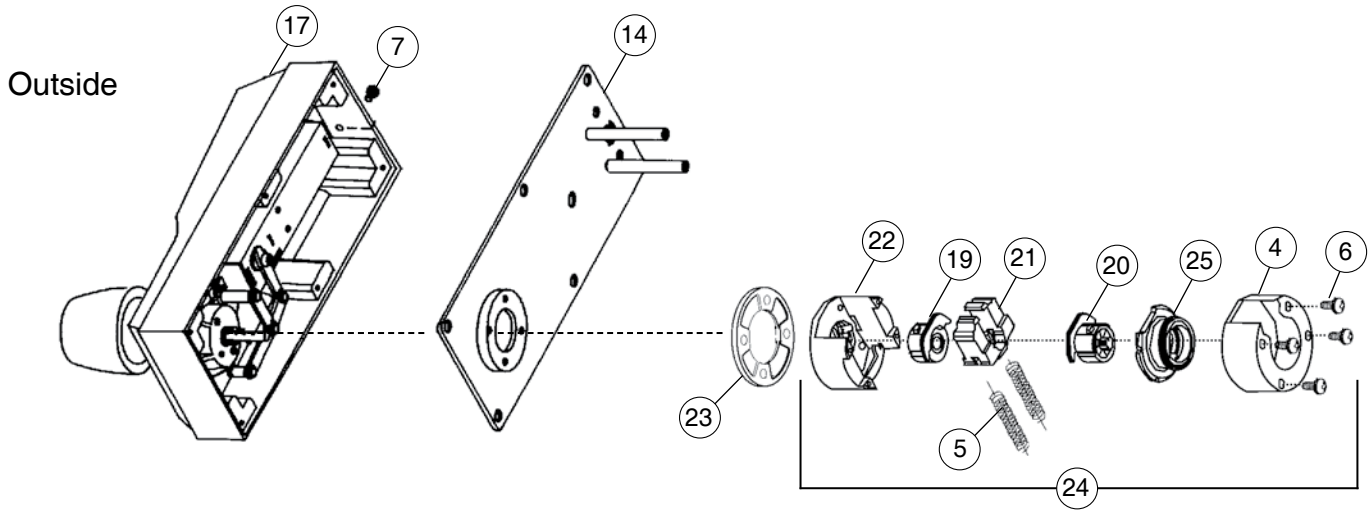


# Simplex EE1000 Series



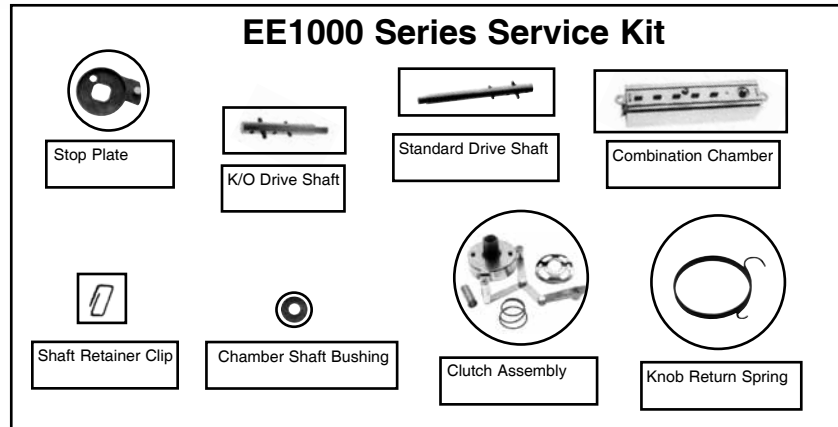
**See inside front cover for  
How to Order instructions**

## Simplex EE1000 Series (continued)

### EE1000 Series Service Kit

#### Parts Included in Kit

Chamber Shaft Bushing  
Clutch Assembly  
Combination Chamber  
Drive Shaft (No Key Override)  
Drive Shaft (Key Override)  
Drive Shaft Retainer Clip  
Return Spring  
Stop Plate  
Shaft Retainer Clip (must be used)



**203036-000-01 \$125.00 each**

\* Requires two (2) kits to service both sides of lock.

Item	Qty/Lock	Description	Finish	Part Number	List Price (USD)
1	1	Torx Anti-Tamper Wrench - Code Change Tool/Screw Kit (Includes 1 ea. #1, #2, #7)	Satin Chrome	7454326D01	\$12.00
		Torx Anti-Tamper Wrench - Code Change Tool/Screw Kit (Includes 1 ea. #1, #2, #7)	Bright Brass	745430301	\$12.00
2	1	Code Change Tool - Code Change Tool/Screw Kit (Includes 1 ea. #1, #2, #7)	Satin Chrome	7454326D01	\$12.00
		Code Change Tool - Code Change Tool/Screw Kit (Includes 1 ea. #1, #2, #7)	Bright Brass	745430301	\$12.00
3	1	Double Wave Spring - Clutch Spring Kit (Includes 1 ea. #3, #27)		20101600001	\$10.00
4	1	Cover for Shoe Housing		20127700001	\$10.00
5	2	Shoe Springs		20136600010	\$9.00
6	4	Sems screw Phillips 6-32 x 1/4" (11 mm) R.H.M.S. (for shoe housing cover)		20144600010	\$7.00
7	1	Combination Change Screw	Satin Chrome	20187126D05	\$12.00
		Combination Change Screw	Bright Brass	2018710305	\$12.00
		Combination Change Screw	Antique Brass	2018710505	\$12.00
8	1	Combination Change Bracket (For use on older models only)		20188200001	\$11.00
9	1	Lock Mounting Bracket		20190500001	\$18.00
10	2	Flat Phillips Head Screw 2 15/16" x 1/32"		20190600002	\$15.00
11	2	Spanner Screw - Tamper Proof		20190700010	\$24.00
12	1	2-#10 Size Insert Bit (fits #11)		20191100002	\$36.00
13	1	Inside Lock Cover Plate Assembly		20191200001	\$49.00
14	1	Outside Lock Cover Plate Assembly		20191600001	\$44.00
15	1	Retainer Clip (Drive Shaft)		20191800002	\$10.00
16	1	Housing (Inside)	Satin Chrome	20192326D01	\$87.00
		Housing (Inside)	Bright Brass	2019230301	\$87.00
		Housing (Inside)	Antique Brass	2019230501	\$87.00
17	1	Housing (Outside)	Satin Chrome	20192426D01	\$87.00
		Housing (Outside)	Bright Brass	2019240301	\$87.00
		Housing (Outside)	Antique Brass	2019240501	\$87.00
18	1	Clutch Assembly (EE1000 Only) (Includes 1 ea. #3, #18, #27)		20195600001	\$36.00
19	1	Drive Insert		20401500001	\$21.00
20	1	Drive Insert (EE1000 Only)		20416400001	\$11.00

## Simplex EE1000 Series (continued)



Item	Qty/Lock	Description	Finish	Part Number	List Price (USD)
21	1	Retractor Shoe		20416500001	\$13.00
22	1	Shoe Retainer and Bridge		20419900001	\$34.00
23	1	Spacer Kit (Includes 1 ea. #23, 4 ea. #6, various door thickness screws)	Satin Chrome	20421026D01	\$10.00
		Spacer Kit (Includes 1 ea. #23, 4 ea. #6, various door thickness screws)	Bright Brass	2042100301	\$10.00
		Spacer Kit (Includes 1 ea. #23, 4 ea. #6, various door thickness screws)	Antique Brass	2042100501	\$10.00
24	1	Cylindrical Drive Unit Assembly (Includes 1 ea. #19, #20, #21, #22, #25, #28; 2 ea. #5; 4 ea. #6)		20420800001	\$97.00
25	1	Shoe Retainer Cap Assembly		20420900001	\$29.00
26	1	Installation Hardware Kit (Not Shown in exploded view)	Bright Brass	2042120311	\$48.00
		Installation Hardware Kit (Not Shown in exploded view)	Antique Brass	2042120511	\$48.00
		Installation Hardware Kit (Not Shown in exploded view)	Satin Chrome	20421226D11	\$48.00
27	1	Clutch Balance Spring - Clutch Spring Kit (Includes 1 ea. #3, #27)		20101600001	\$10.00

### Additional Kits and Accessories

		Lubriplate Aero Grease Tubes		6475400001	\$13.00
		Best Key Override Spacer (not shown)		3800-00-3007	\$22.00
		Sargent Key Override Spacer (not shown)		20402800001	\$22.00
		Corbin-Russwin Key Override Spacer (not shown)		20402900001	\$22.00
		Best Equivalent Removable Core Cylinder (Sold international only, not available for U.S.)	Bright Brass	2014840301	\$55.00
		Best Equivalent Removable Core Cylinder (Sold international only, not available for U.S.)	Antique Brass	2014840501	\$55.00
		Best Equivalent Removable Core Cylinder (Sold international only, not available for U.S.)	Satin Chrome	20148426D01	\$55.00
		Anti-Spy Shield (1000/L1000 Series)	Black	20160008301	\$40.00
		Weather Cover (1000/L1000/5000/E5000)	Smoke	5464400041	\$50.00
		Simplex EE1000 Series Wooden Demo Mount		20408600041	\$143.00

### Notes

- See 1000 Series Exploded View and Replacement Parts on Page 2-9 for parts not shown or numbered on this page.

- Service kit can be used on both sides of lock  
\*(Requires (2) kits to service both sides)

\* All EE1000 Series Locksets with a serial number consisting of three letters followed by five digits will no longer be using the code change bracket (Part No. 201882)

- Lubriplate Aero grease is the "only" lubricant that should be used.

Parts availability may be limited on older component parts no longer used in production units.